



3-56 Stainless Steel Screw 0.375 Inch Long  
Phillips in 100 Each Packages

TECHNICAL DATA SHEET

PE1004-2

**3-56 Stainless Steel Screw 0.375 Inch Long Phillips in 100 Each Packages**

**Configuration**

Description	Screw
Thread Size,	Phillips
Length, in [mm]	0.375 [9.53]
Pieces Per Package	100

**Compliance Certifications** (visit [www.Pasternack.com](http://www.Pasternack.com) for current document)

**Plotted and Other Data**

Notes: Values at 25 °C, sea level

3-56 Stainless Steel Screw 0.375 Inch Long Phillips in 100 Each Packages from Pasternack Enterprises has same day shipment for domestic and International orders. Our RF, microwave and fiber optic products maintain a 99% availability and are part of the broadest selection in the industry.

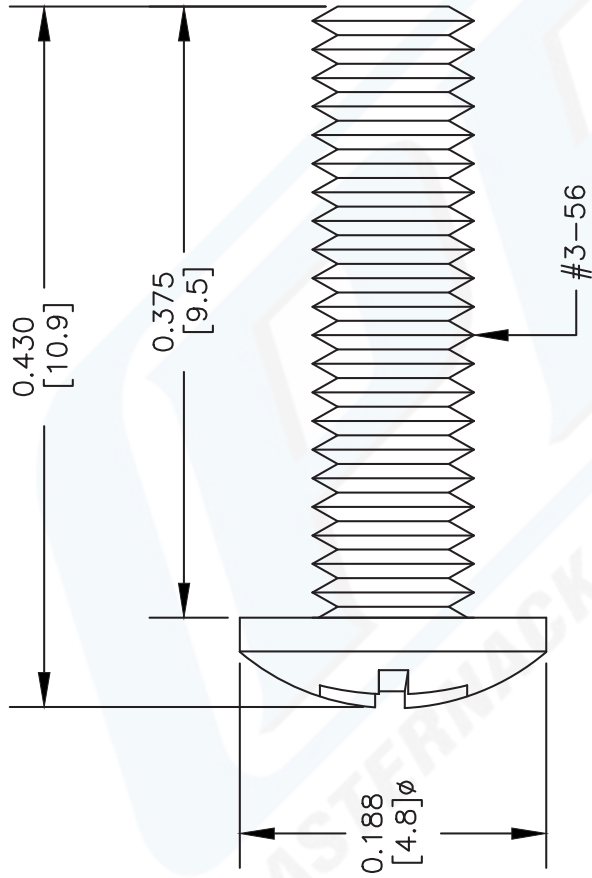
Click the following link (or enter part number in "SEARCH" on website) to obtain additional part information including price, inventory and certifications: [3-56 Stainless Steel Screw 0.375 Inch Long Phillips in 100 Each Packages PE1004-2](http://www.pasternack.com/3-56-stainless-steel-screw-0.375-inch-long-phillips-in-100-pe1004-2)

URL: <http://www.pasternack.com/3-56-stainless-steel-screw-0.375-inch-long-phillips-in-100-pe1004-2-p.aspx>

The information contained in this document is accurate to the best of our knowledge and representative of the part described herein. It may be necessary to make modifications to the part and/or the documentation of the part, in order to implement improvements. Pasternack reserves the right to make such changes as required. Unless otherwise stated, all specifications are nominal.

# PE1004-2 CAD Drawing

3-56 Stainless Steel Screw 0.375 Inch Long Phillips in 100 Each Packages



NOTES:  
 1. UNLESS OTHERWISE SPECIFIED ALL DIMENSIONS ARE NOMINAL.  
 2. ALL SPECIFICATIONS ARE SUBJECT TO CHANGE WITHOUT NOTICE AT ANY TIME.  
 3. DIMENSIONS ARE IN INCHES [mm].

DWG TITLE  
**PE1004-2**

FSCM NO. 53919

CAD FILE 042303

SCALE N/A

SIZE A

XXXX

**PE PASTERNAK**  
 Pasternack Enterprises, Inc.  
 P.O. Box 16759 | Irvine | CA | 92623  
 Phone: (949) 261-1920 | Fax: (949) 261-7451  
 Website: www.pasternack.com | E-Mail: sales@pasternack.com