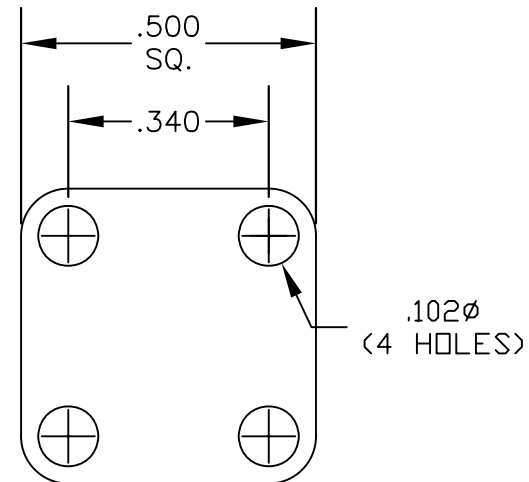
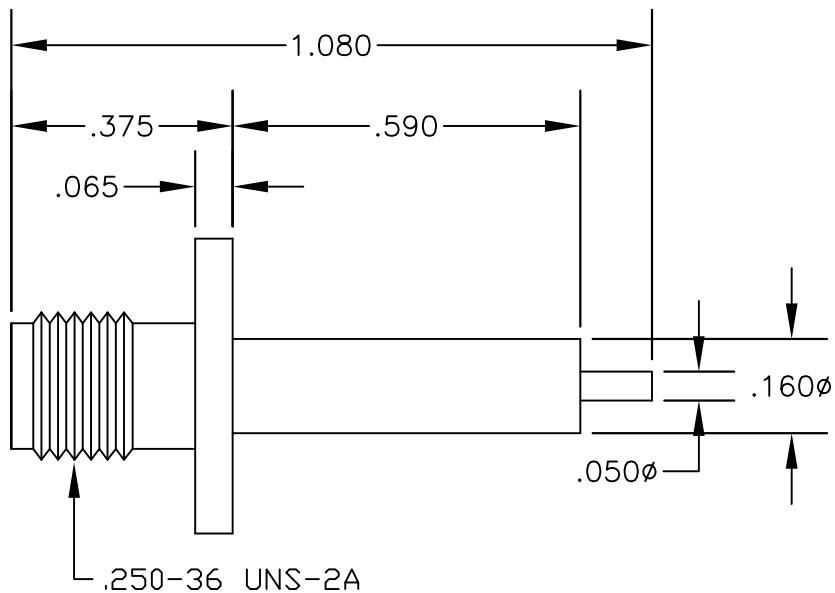


**MATERIALS**

<b>BODY</b>	<b>PASSIVATED STAINLESS STEEL</b>
<b>CONTACT</b>	<b>GOLD PLATED</b>
<b>INSULATOR</b>	<b>PTFE</b>



MOUNTING HOLES



**PASTERNACK ENTERPRISES, INC.**  
 P.O BOX 16759, IRVINE, CA 92623  
 PHONE (949) 261-1920 FAX (949) 261-7451  
 WEB ADDRESS: [www.pasternack.com](http://www.pasternack.com)  
 E-MAIL ADDRESS: [sales@pasternack.com](mailto:sales@pasternack.com)  
**COAXIAL & FIBER OPTICS**

DWG TITLE  
**PE4099-SF**

DES. SMA FEMALE 4 HOLE FLANGE MOUNT, STUB CONTACT, WITH .590 EXTENDED DIELECTRIC

SIZE A	FSCM NO. 53919	CAD FILE 011904	SCALE N/A	127
--------	----------------	-----------------	-----------	-----

- NOTES:**
1. UNLESS OTHERWISE SPECIFIED ALL DIMENSIONS ARE NOMINAL.
  2. ALL SPECIFICATIONS ARE SUBJECT TO CHANGE WITHOUT NOTICE AT ANY TIME.