



## QMA Female Bulkhead Connector Solder Attachment For PE-SR405AL, PE-SR405FL, RG405, .268 inch D Hole

### TECHNICAL DATA SHEET

PE44499

#### QMA Female Bulkhead Connector Solder Attachment For PE-SR405AL, PE-SR405FL, RG405, .268 inch D Hole

##### Configuration

Connector	QMA Female
Connector Interface Type	PE-SR405AL,PE-SR405FL,RG405
Cable Attachment Method (Shield/Contact)	Solder/Solder
Body Style	Straight
Mount Method	Bulkhead

##### Electrical Specifications

Impedance, Ohms	50
-----------------	----

##### Mechanical Specifications

###### Size

Length, in [mm]	0.787 [19.99]
Width/Dia., in [mm]	0.433 [11.00]
Weight, lbs [g]	0.006 [2.72]

###### Connector

Type	QMA Female
Contact Material and Plating	Gold
Body Material and Plating	Brass, Gold
Dielectric Type	PTFE

##### Compliance Certifications (visit [www.Pasternack.com](http://www.Pasternack.com) for current document)

RoHS Compliant	Yes
----------------	-----

##### Plotted and Other Data

Notes:	Values at 25 °C, sea level
--------	----------------------------

QMA Female Bulkhead Connector Solder Attachment For PE-SR405AL, PE-SR405FL, RG405, .268 inch D Hole from Pasternack Enterprises has same day shipment for domestic and International orders. Our RF, microwave and fiber optic products maintain a 99% availability and are part of the broadest selection in the industry.

Click the following link (or enter part number in "SEARCH" on website) to obtain additional part information including price, inventory and certifications: [QMA Female Bulkhead Connector Solder Attachment For PE-SR405AL, PE-SR405FL, RG405, .268 inch D Hole PE44499](http://www.pasternack.com/qma-female-standard-pe-sr405al-pe-sr405fl-rg405-connector-pe44499-p.aspx)

URL: <http://www.pasternack.com/qma-female-standard-pe-sr405al-pe-sr405fl-rg405-connector-pe44499-p.aspx>

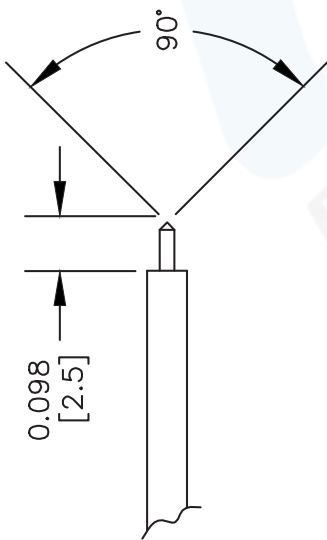
The information contained in this document is accurate to the best of our knowledge and representative of the part described herein. It may be necessary to make modifications to the part and/or the documentation of the part, in order to implement improvements. Pasternack reserves the right to make such changes as required. Unless otherwise stated, all specifications are nominal.

# PE44499 CAD Drawing

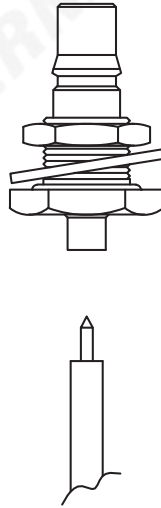
QMA Female Bulkhead Connector Solder Attachment For  
PE-SR405AL, PE-SR405FL, RG405, .268 inch D Hole

## ASSEMBLY PROCEDURES

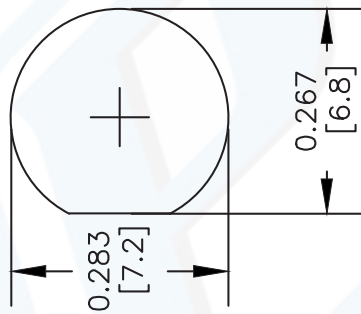
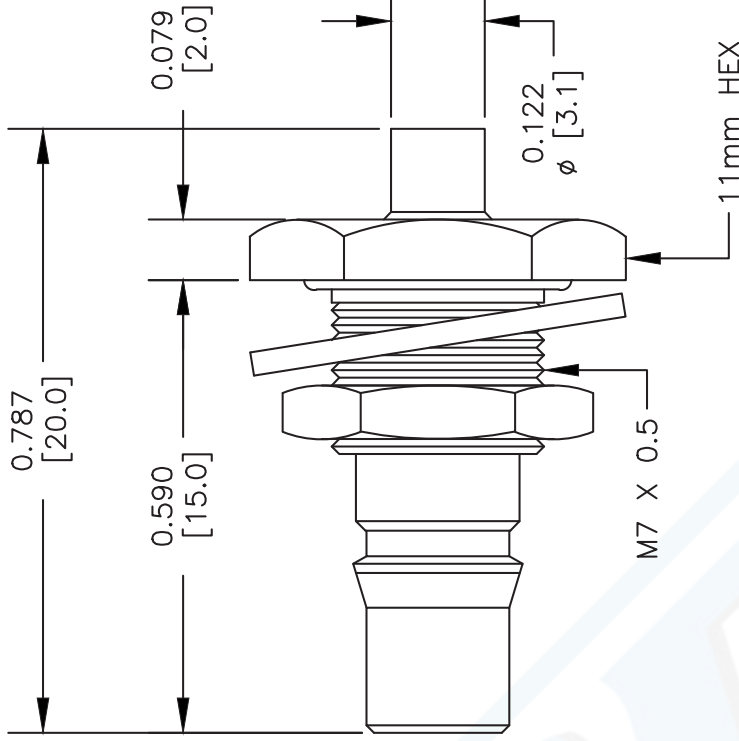
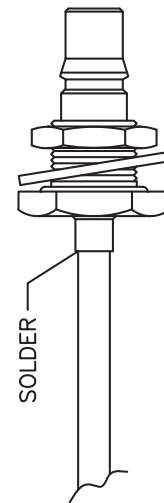
1. STRIP CABLE AS SHOWN.



2. SLIDE THE PREPARED CABLE FULLY INTO CONNECTOR, ENSURE CENTER CONDUCTOR OF CABLE CONTACT WITH THE CENTERPIN.



3. SOLDER THE CONNECTOR AND OUTER CONTACT OF THE CABLE.



MOUNTING HOLE

DWG TITLE

**PE44499**

NOTES:  
1. UNLESS OTHERWISE SPECIFIED ALL DIMENSIONS ARE NOMINAL.  
2. ALL SPECIFICATIONS ARE SUBJECT TO CHANGE WITHOUT NOTICE AT ANY TIME.  
3. DIMENSIONS ARE IN INCHES [mm].  
4. FITS MIL-C-17 AND EQUIVALENT CABLES.

FSCM NO. 53919

CAD FILE 042909

SCALE N/A

SIZE A

127



**PASTERNAK**<sup>®</sup>  
Pasternack Enterprises, Inc.  
P.O. Box 16759 | Irvine | CA | 92623  
Phone: (949) 261-1920 | Fax: (949) 261-7451  
Website: [www.pasternack.com](http://www.pasternack.com) | E-Mail: [sales@pasternack.com](mailto:sales@pasternack.com)