



75 Ohm BNC Male Right Angle Connector
Compression Attachment For Mini 59, PE-B159

TECHNICAL DATA SHEET

PE44581

75 Ohm BNC Male Right Angle Connector Compression Attachment For Mini 59, PE-B159

Configuration

Connector	BNC Male
Connector Interface Type	Mini 59,PE-B159
Cable Attachment Method (Shield/Contact)	Compression
Body Style	Right Angle

Electrical Specifications

Impedance, Ohms	75
-----------------	----

Mechanical Specifications

Size

Length, in [mm]	1.205 [30.61]
Width/Dia., in [mm]	1.36 [34.54]
Height, in [mm]	0.57 [14.48]
Weight, lbs [g]	0.005 [2.27]

Connector

Type	BNC Male
Contact Material and Plating	Brass/Beryllium Copper, Gold
Coupling Nut Material and Plating	Brass, Nickel
Body Material and Plating	Brass, Nickel
Dielectric Type	HDPE

Compliance Certifications (visit www.Pasternack.com for current document)

RoHS Compliant	Yes
----------------	-----

Plotted and Other Data

Notes:	Values at 25 °C, sea level
--------	----------------------------

75 Ohm BNC Male Right Angle Connector Compression Attachment For Mini 59, PE-B159 from Pasternack Enterprises has same day shipment for domestic and International orders. Our RF, microwave and fiber optic products maintain a 99% availability and are part of the broadest selection in the industry.

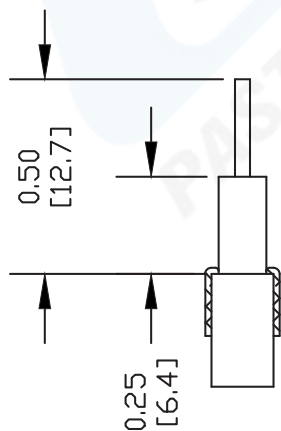
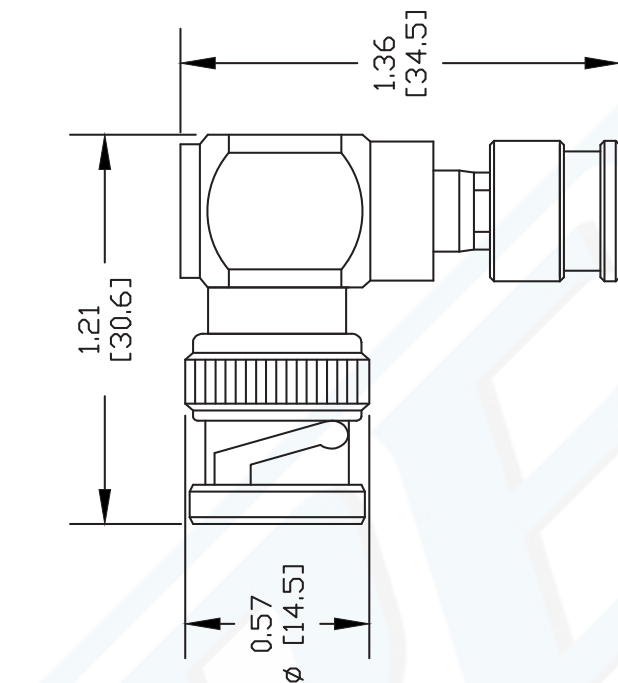
Click the following link (or enter part number in "SEARCH" on website) to obtain additional part information including price, inventory and certifications: [75 Ohm BNC Male Right Angle Connector Compression Attachment For Mini 59, PE-B159 PE44581](http://www.pasternack.com/bnc-male-standard-mini-59-connector-pe44581-p.aspx)

URL: <http://www.pasternack.com/bnc-male-standard-mini-59-connector-pe44581-p.aspx>

The information contained in this document is accurate to the best of our knowledge and representative of the part described herein. It may be necessary to make modifications to the part and/or the documentation of the part, in order to implement improvements. Pasternack reserves the right to make such changes as required. Unless otherwise stated, all specifications are nominal.

PE44581 CAD Drawing

75 Ohm BNC Male Right Angle Connector Compression Attachment For Mini 59, PE-B159



STRIPPING DIMENSIONS

ASSEMBLY PROCEDURES

1. STRIP CABLE AS SHOWN.
2. PUSH BRAID BACK AGAINST CABLE JACKET EVENLY.
3. INSERT CABLE INTO BODY WHILE TWISTING CONNECTOR SLIGHTLY.
4. INSERT ASSEMBLY INTO COMPRESSION TOOL & COMPRESS USING A PE5012.

DWG TITLE

PE44581

- NOTES:
1. UNLESS OTHERWISE SPECIFIED ALL DIMENSIONS ARE NOMINAL.
 2. ALL SPECIFICATIONS ARE SUBJECT TO CHANGE WITHOUT NOTICE AT ANY TIME.
 3. DIMENSIONS ARE IN INCHES [mm].
 4. FITS MIL-C-17 AND EQUIVALENT CABLES.

REV. B

FSCM NO. 53919

CAD FILE 011409

SCALE N/A

SIZE A

127

PE PASTERNAK®

Pasternack Enterprises, Inc.
 P.O. Box 16759 | Irvine | CA | 92623
 Phone: (949) 261-1920 | Fax: (949) 261-7451
 Website: www.pasternack.com | E-Mail: sales@pasternack.com