



50 Ohm N Male Calibration Kit 3 Port Field
 Type Operating From DC to 6 GHz

TECHNICAL DATA SHEET

PE5513

50 Ohm N Male Calibration Kit 3 Port Field Type Operating From DC to 6 GHz

Configuration

Connector	N Male
Connector Specification	IEC 60169-16, MIL-PRF-39012, CECC 22210
Calibration Kit Component	3 Port Field Type
Body Style	Tee

Electrical Specifications

Frequency Range, GHz	DC to 6
----------------------	---------

Open

Frequency 1, GHz	DC to 2.5
Frequency 2, GHz	2.5 to 6
Return Loss, dB	≤ 0.1

Short

Frequency 1, GHz	DC to 2.5
Frequency 2, GHz	2.5 to 6
Return Loss, dB	≤ 0.1

Load

Frequency 1, GHz	DC to 2.5
Return Loss, dB	≤ 42
Frequency 2, GHz	2.5 to 6
Return Loss, dB	≤ 38

Mechanical Specifications

Temperature

Operating Range, deg C	-40 to +85
------------------------	------------

Size

Length, in [mm]	2.846 [72.29]
Width, in [mm]	0.71 [18.03]
Height, in [mm]	1.634 [41.5]
Weight, lbs [g]	0.28 [127.01]

Connector

Type	N Male
Mating Cycles	500
Contact Material and Plating	Brass, Gold
Contact Plating Specification	50µ in. minimum
Coupling Nut Material and Plating	Brass, Tri-Metal
Hex Size, mm	18

Click the following link (or enter part number in "SEARCH" on website) to obtain additional part information including price, inventory and certifications: [50 Ohm N Male Calibration Kit 3 Port Field Type Operating From DC to 6 GHz PE5513](#)

The information contained in this document is accurate to the best of our knowledge and representative of the part described herein. It may be necessary to make modifications to the part and/or the documentation of the part, in order to implement improvements. Pasternack reserves the right to make such changes as required. Unless otherwise stated, all specifications are nominal.



50 Ohm N Male Calibration Kit 3 Port Field
Type Operating From DC to 6 GHz

TECHNICAL DATA SHEET

PE5513

Body Material and Plating
Body Plating Specification
Dielectric Type

Brass, Nickel
100 μ in. minimum
PTFE/PPE

Compliance Certifications (visit www.Pasternack.com for current document)

Plotted and Other Data

Notes:

Values at 25 °C, sea level

50 Ohm N Male Calibration Kit 3 Port Field Type Operating From DC to 6 GHz from Pasternack Enterprises has same day shipment for domestic and International orders. Our RF, microwave and fiber optic products maintain a 99% availability and are part of the broadest selection in the industry.

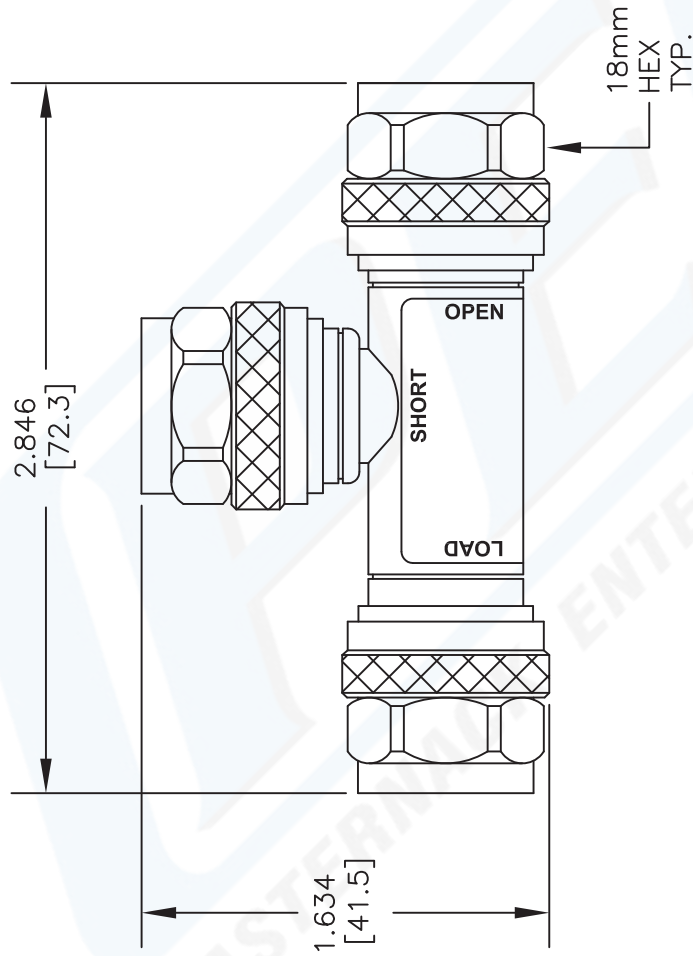
Click the following link (or enter part number in "SEARCH" on website) to obtain additional part information including price, inventory and certifications: [50 Ohm N Male Calibration Kit 3 Port Field Type Operating From DC to 6 GHz PE5513](http://www.pasternack.com/field-calibration-tool-n-male-50-ohms-dc-6-ghz-pe5513-p.aspx)

URL: <http://www.pasternack.com/field-calibration-tool-n-male-50-ohms-dc-6-ghz-pe5513-p.aspx>

The information contained in this document is accurate to the best of our knowledge and representative of the part described herein. It may be necessary to make modifications to the part and/or the documentation of the part, in order to implement improvements. Pasternack reserves the right to make such changes as required. Unless otherwise stated, all specifications are nominal.

PE5513 CAD Drawing

50 Ohm N Male Calibration Kit 3 Port Field Type Operating From DC to 6 GHz



NOTES:
 1. UNLESS OTHERWISE SPECIFIED ALL DIMENSIONS ARE NOMINAL.
 2. ALL SPECIFICATIONS ARE SUBJECT TO CHANGE WITHOUT NOTICE AT ANY TIME.
 3. DIMENSIONS ARE IN INCHES [mm].

DWG TITLE
PE5513

FSCM NO. 53919

XXXX

SIZE A

SCALE N/A

CAD FILE 100208

PE PASTERNAK®
 Pasternack Enterprises, Inc.
 P.O. Box 16759 | Irvine | CA | 92623

Phone: (949) 261-1920 | Fax: (949) 261-7451

Website: www.pasternack.com | E-Mail: sales@pasternack.com