



50 Ohm 7/16 DIN Female Calibration Kit 3 Port
Field Type Operating From DC to 6 GHz

TECHNICAL DATA SHEET

PE5514

50 Ohm 7/16 DIN Female Calibration Kit 3 Port Field Type Operating From DC to 6 GHz

Configuration

Connector	7/16 DIN Female
Connector Specification	IEC 60169-4
Calibration Kit Component	3 Port Field Type
Body Style	Tee

Electrical Specifications

Frequency Range, GHz	DC to 6
----------------------	---------

Open

Frequency 1, GHz	DC to 2.5
Frequency 2, GHz	2.5 to 6
Return Loss, dB	≤ 0.15

Short

Frequency 1, GHz	DC to 2.5
Frequency 2, GHz	2.5 to 6
Return Loss, dB	≤ 0.15

Load

Frequency 1, GHz	DC to 2.5
Return Loss, dB	≤ 40
Frequency 2, GHz	2.5 to 6
Return Loss, dB	≤ 38

Mechanical Specifications

Temperature

Operating Range, deg C	-65 to +85
------------------------	------------

Size

Length, in [mm]	3.345 [84.96]
Width, in [mm]	1.14 [28.96]
Height, in [mm]	2.086 [52.98]
Weight, lbs [g]	0.68 [308.44]

Connector

Type	7/16 DIN Female
Mating Cycles	500
Contact Material and Plating	Beryllium Copper, Gold
Contact Plating Specification	50µ in. minimum
Body Material and Plating	Brass, Nickel
Body Plating Specification	100µ in. minimum

Click the following link (or enter part number in "SEARCH" on website) to obtain additional part information including price, inventory and certifications: [50 Ohm 7/16 DIN Female Calibration Kit 3 Port Field Type Operating From DC to 6 GHz PE5514](#)

The information contained in this document is accurate to the best of our knowledge and representative of the part described herein. It may be necessary to make modifications to the part and/or the documentation of the part, in order to implement improvements. Pasternack reserves the right to make such changes as required. Unless otherwise stated, all specifications are nominal.



50 Ohm 7/16 DIN Female Calibration Kit 3 Port
Field Type Operating From DC to 6 GHz

TECHNICAL DATA SHEET

PE5514

Dielectric Type

PPE

Compliance Certifications (visit www.Pasternack.com for current document)

Plotted and Other Data

Notes:

Values at 25 °C, sea level

50 Ohm 7/16 DIN Female Calibration Kit 3 Port Field Type Operating From DC to 6 GHz from Pasternack Enterprises has same day shipment for domestic and International orders. Our RF, microwave and fiber optic products maintain a 99% availability and are part of the broadest selection in the industry.

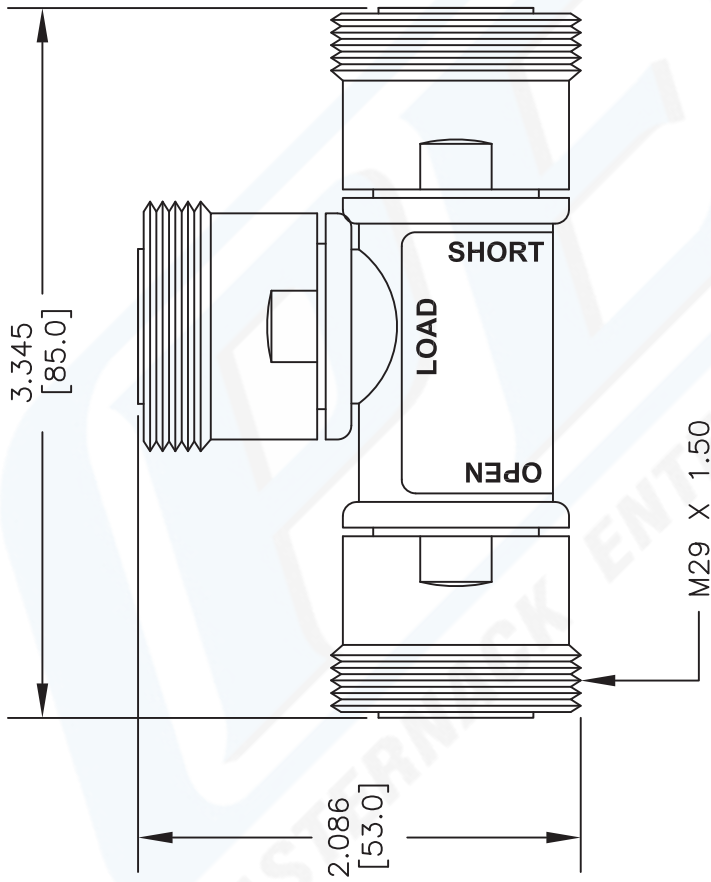
Click the following link (or enter part number in "SEARCH" on website) to obtain additional part information including price, inventory and certifications: [50 Ohm 7/16 DIN Female Calibration Kit 3 Port Field Type Operating From DC to 6 GHz PE5514](http://www.pasternack.com/field-calibration-tool-716-female-dc-6-ghz-pe5514-p.aspx)

URL: <http://www.pasternack.com/field-calibration-tool-716-female-dc-6-ghz-pe5514-p.aspx>

The information contained in this document is accurate to the best of our knowledge and representative of the part described herein. It may be necessary to make modifications to the part and/or the documentation of the part, in order to implement improvements. Pasternack reserves the right to make such changes as required. Unless otherwise stated, all specifications are nominal.

PE5514 CAD Drawing

50 Ohm 7/16 DIN Female Calibration Kit 3 Port Field Type Operating From DC to 6 GHz



DWG TITLE

PE5514

NOTES:
 1. UNLESS OTHERWISE SPECIFIED ALL DIMENSIONS ARE NOMINAL.
 2. ALL SPECIFICATIONS ARE SUBJECT TO CHANGE WITHOUT NOTICE AT ANY TIME.
 3. DIMENSIONS ARE IN INCHES [mm].

FSCM NO. 53919

CAD FILE 100208

SCALE N/A

SIZE A

XXXX



PASTERNAK[®]
 Pasternack Enterprises, Inc.
 P.O. Box 16759 | Irvine | CA | 92623
Phone: (949) 261-1920 | **Fax:** (949) 261-7451
Website: www.pasternack.com | **E-Mail:** sales@pasternack.com