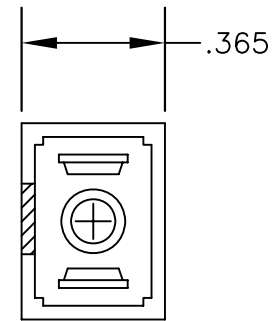
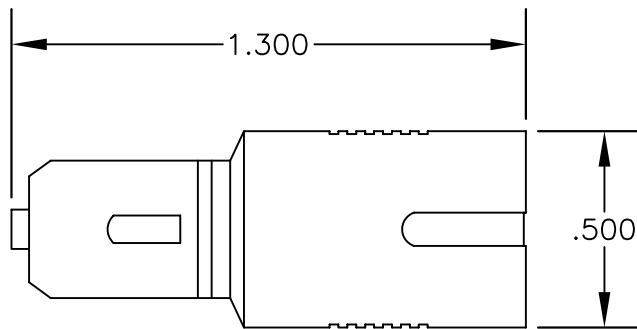


MATERIALS

FERRULE	CERAMIC
SLEEVE	CERAMIC
HOUSING	METAL & PLASTIC



SPECIFICATIONS

Single Mode

PC Polish

Attenuation Value: 5dB ±10% Typical, ±15% Maximum

Operating Wavelength: 1300/1550 nm

Insertion Loss: <0.3dB Typical, 1dB Maximum

Return Loss: 40 dB Minimum, >50dB Typical

Operating Temperature: -40°C to +75°C



PASTERNACK ENTERPRISES, INC.

P.O BOX 16759, IRVINE, CA 92623
PHONE (949) 261-1920 FAX (949) 261-7451

WEB ADDRESS: www.pasternack.com
E-MAIL ADDRESS: sales@pasternack.com

COAXIAL & FIBER OPTICS

DWG TITLE

PE700002-5

DES. SC ATTENUATOR , SINGLE MODE

REV. B	FSCM NO. 53919	CAD FILE 050809	SCALE N/A	SIZE A	147
--------	----------------	-----------------	-----------	--------	-----

NOTES:

1. UNLESS OTHERWISE SPECIFIED ALL DIMENSIONS ARE NOMINAL.
2. ALL SPECIFICATIONS ARE SUBJECT TO CHANGE WITHOUT NOTICE AT ANY TIME.
3. DIMENSIONS ARE IN INCHES.