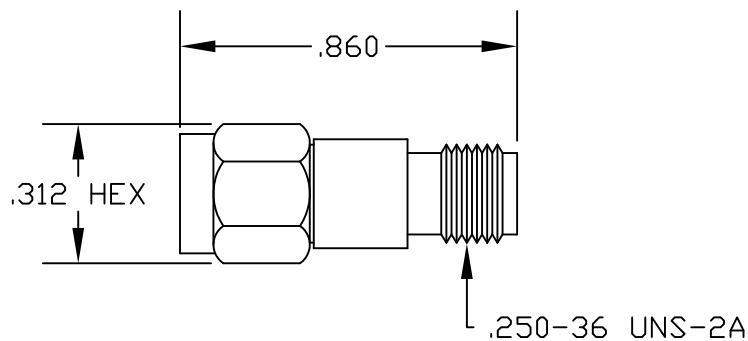


MATERIALS

BODY	PASSIVATED STAINLESS STEEL
CONTACT	GOLD PLATED
SUPPORT BEAD	AIR-POLYPHENYLENE OXIDE COMPOSITE
COUPLING NUT	BRASS NICKEL PLATED



SPECIFICATIONS

FREQUENCY RANGE: DC TO 26.5 GHz

ATTENUATION: 6 dB

IMPEDANCE: 50 OHMS

ACCURACY: ± 0.4 dB

VSWR:

DC – 18 GHz 1.30:1 MAX

18 GHz – 26.5 GHz 1.40:1 MAX

AVG. POWER HANDLING CAPABILITY: 2 WATT

2.9mm CONNECTORS WILL MATE BOTH ELECTRICALLY & MECHANICALLY WITH ALL SMA, 3.5mm & K CONNECTORS. THE K CONNECTOR IS A TRADE MARK OF ANRITSU CORPORATION.



PASTERNAK ENTERPRISES, INC.

P.O. BOX 16759, IRVINE, CA 92623
PHONE (949) 261-1920 FAX (949) 261-7451

WEB ADDRESS: www.pasternack.com
E-MAIL ADDRESS: sales@pasternack.com

COAXIAL & FIBER OPTICS

DWG TITLE

PE7024-6

DES.

2.9mm ATTENUATOR, 6 dB FREQUENCY RANGE: DC TO 26.5 GHz

SIZE A

FSCM NO. 53919

CAD FILE

042209

SCALE N/A

127

NOTES:

1. UNLESS OTHERWISE SPECIFIED ALL DIMENSIONS ARE NOMINAL.
2. ALL SPECIFICATIONS ARE SUBJECT TO CHANGE WITHOUT NOTICE AT ANY TIME.