



0 to 82.5 dB Toggle Step Attenuator, 75 Ohm
 BNC Female To 75 Ohm BNC Female With 0.5
 dB Step Rated To 1 Watt Up To 1000 MHz

TECHNICAL DATA SHEET

PE7038-2

Configuration

Design	Step, Bidirectional Attenuator
Connector 1	BNC Female
Connector 2	BNC Female
Body Material and Plating	Aluminum

Electrical Specifications * Values at 25°C, sea level

Description	Minimum	Typical	Maximum	Units
Frequency Range	DC		1,000	MHz
Impedance		75		Ohms
Attenuation Value		0 to 82.5		dB
Step Size		0.5		dB
Step Type		Toggle		
Input Power			1	Watts
VSWR			1.4:1	

Specifications by Frequency

Description	F1	F2	F3	F4	F5	Units
Range	DC to 1,000					MHz
Attenuation Accuracy	1.5					dB

Mechanical Specifications

Size	
Length	7.6 in 193.04 mm
Width	1.062 in 26.97 mm
Height	1.062 in 26.97 mm

Connectors

Description	Connector 1	Connector 2
Type	BNC Female	BNC Female

Compliance Certifications (visit www.Pasternack.com for current document)

Not RoHS Compliant	
REACH Compliant	6/18/2012

Click the following link (or enter part number in "SEARCH" on website) to obtain additional part information including price, inventory and certifications: [0 to 82.5 dB Toggle Step Attenuator, 75 Ohm BNC Female To 75 Ohm BNC Female With 0.5 dB Step Rated To 1 Watt Up To 1000 MHz PE7038-2](#)



0 to 82.5 dB Toggle Step Attenuator, 75 Ohm
BNC Female To 75 Ohm BNC Female With 0.5
dB Step Rated To 1 Watt Up To 1000 MHz

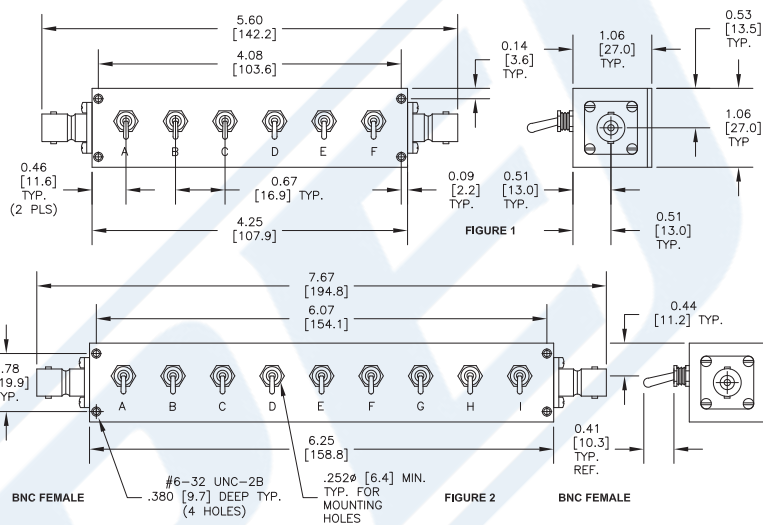
TECHNICAL DATA SHEET PE7038-2

Plotted and Other Data

Notes:

- Values at 25 °C, sea level

Outline Drawing



PIN	ATTEN.									FIGURE
	A	B	C	D	E	F	G	H	I	
PE7038-1	1	2	3	6	10	20				1
PE7038-2	.5	1	2	3	6	10	20	20	20	2
PE7038-3	1	2	3	6	10	20	20	20	20	2

VALUES ABOVE WILL BE PRINTED ON THE BODY

0 to 82.5 dB Toggle Step Attenuator, 75 Ohm BNC Female To 75 Ohm BNC Female With 0.5 dB Step Rated To 1 Watt Up To 1000 MHz from Pasternack Enterprises has same day shipment for domestic and International orders. Our RF, microwave and millimeter wave products maintain a 99% availability and are part of the broadest selection in the industry.

Click the following link (or enter part number in "SEARCH" on website) to obtain additional part information including price, inventory and certifications: [0 to 82.5 dB Toggle Step Attenuator, 75 Ohm BNC Female To 75 Ohm BNC Female With 0.5 dB Step Rated To 1 Watt Up To 1000 MHz PE7038-2](#)

URL: <http://www.pasternack.com/82.5db-step-bnc-female-bnc-female-1-watt-attenuator-pe7038-2-p.aspx>

The information contained in this document is accurate to the best of our knowledge and representative of the part described herein. It may be necessary to make modifications to the part and/or the documentation of the part, in order to implement improvements. Pasternack reserves the right to make such changes as required. Unless otherwise stated, all specifications are nominal. Pasternack does not make any representation or warranty regarding the suitability of the part described herein for any particular purpose, and Pasternack does not assume any liability arising out of the use of any part or documentation.

PE7038-2 CAD Drawing

0 to 82.5 dB Toggle Step Attenuator, 75 Ohm BNC Female To 75 Ohm BNC Female With 0.5 dB Step Rated To 1 Watt Up To 1000 MHz

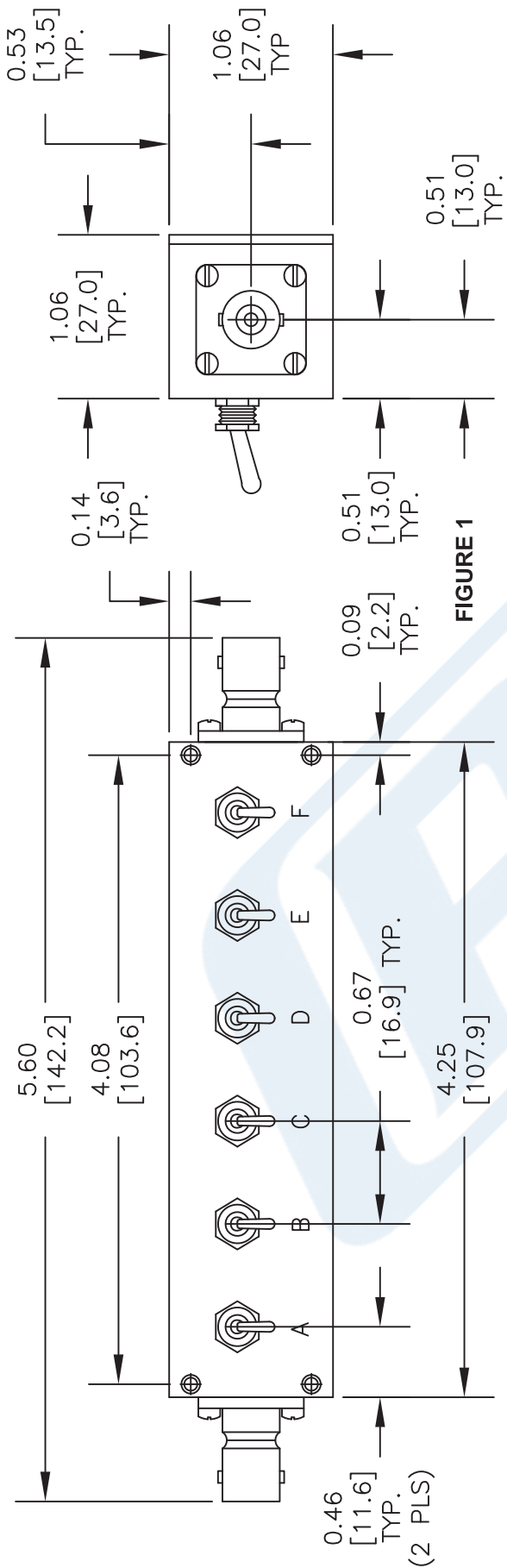


FIGURE 1

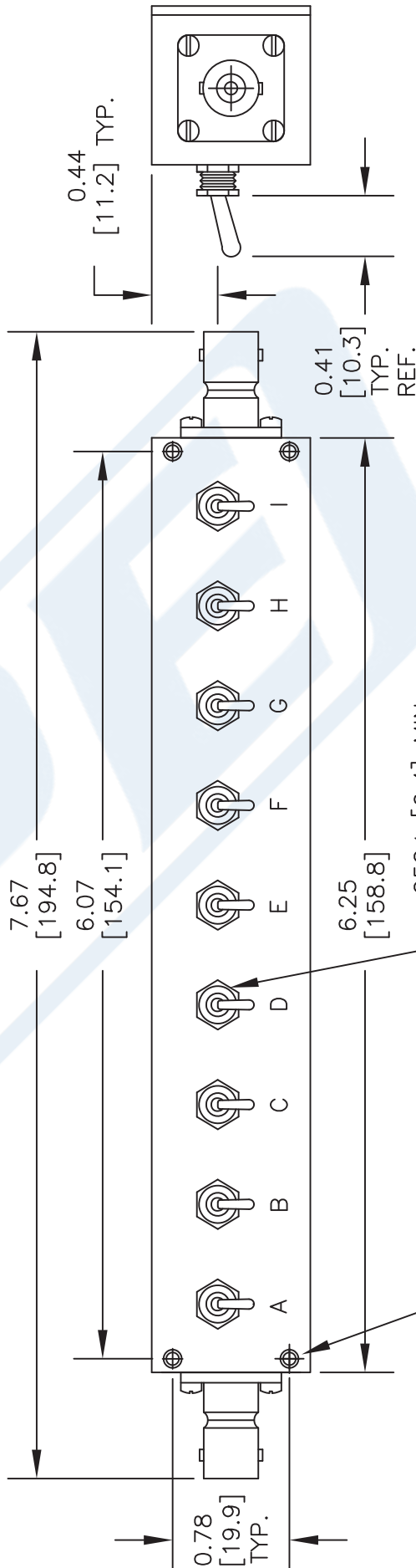


FIGURE 2

BNC FEMALE

BNC FEMALE

P/N	ATTEN.									FIGURE
	A	B	C	D	E	F	G	H	I	
PE7038-1	1	2	3	6	10	20				1
PE7038-2	.5	1	2	3	6	10	20	20	20	2
PE7038-3	1	2	3	6	10	20	20	20	20	2

VALUES ABOVE WILL BE PRINTED ON THE BODY