

WR-28 Waveguide Standard Gain Horn Antenna
 Operating From 26.5 GHz to 40 GHz With a Nominal
 20 dBi Gain With UG-599/U Square Cover Flange

Waveguide Antennas Technical Data Sheet

PE9850-20

Features

- Rectangular Waveguide Interface
- 26.5 GHz to 40 GHz
- 20 dBi Nominal Gain
- UG-599/U Square Cover Flange

Applications

- Antenna Measurements
- Wireless Communication
- Laboratory Use
- Microwave Radio Systems

Description

Pasternack's PE9850-20 WR-28 waveguide standard gain horn antenna operating from 26.5 GHz to 40 GHz with a nominal 20 dBi gain is part of our full line of RF components available for same-day shipping. This Pasternack pyramidal horn antenna has a lightweight anodized aluminum body and a precision tolerance UG-599/U square cover flange. The PE9850-20 WR-28 waveguide standard gain horn antenna offers low gain variation across its operating frequency range and 18.3 degrees of half power beam width.

Waveguide standard gain horn antennas are used in a wide variety of applications due to their high power handling capability, low loss, high directivity, and near constant electrical performance across a broad bandwidth. Pasternack's WR-28 standard gain horns are available in 10, 15 and 20 dB models with pyramidal shape and rectangular waveguide input.

Configuration

Design	WR-28 Standard Gain Horn
Pattern	Directional
Polarization	Linear

Electrical Specifications

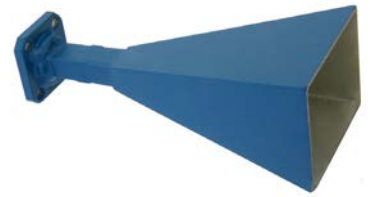
Description	Minimum	Typical	Maximum	Units
Frequency Range	26.5		40	GHz
Nominal Gain		20		dBi
Horizontal Half Power Beam Width		18.3		Degrees
Vertical Half Power Beam Width		16.7		Degrees

Electrical Specification Notes:
 Half power beam width is calculated by computer simulation.

Mechanical Specifications

Size	
Length	3.125 in [79.38 mm]
Width	1.45 in [36.83 mm]
Height	1.095 in [27.81 mm]
Weight	0.008 lbs [3.63 g]

Click the following link (or enter part number in "SEARCH" on website) to obtain additional part information including price, inventory and certifications: [WR-28 Waveguide Standard Gain Horn Antenna Operating From 26.5 GHz to 40 GHz With a Nominal 20 dBi Gain With UG-599/U Square Cover Flange PE9850-20](#)



WR-28 Waveguide Standard Gain Horn Antenna
Operating From 26.5 GHz to 40 GHz With a Nominal
20 dBi Gain With UG-599/U Square Cover Flange

Waveguide Antennas Technical Data Sheet

PE9850-20

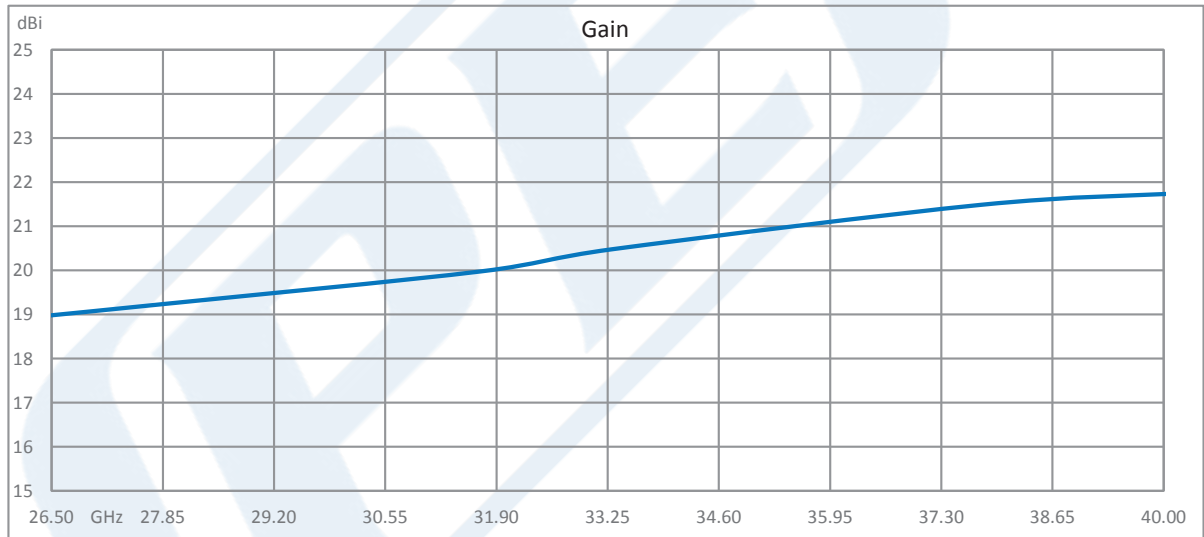
Waveguide Interface

Waveguide Size	WR-28
Flange Type	Square Cover
Flange Designation	UG-599/U
Body Material and Plating	Anodized Aluminum, Paint

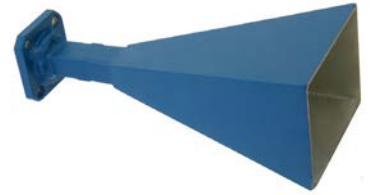
Compliance Certifications (see [product page](#) for current document)

Plotted and Other Data

Typical Performance Data



Click the following link (or enter part number in "SEARCH" on website) to obtain additional part information including price, inventory and certifications: [WR-28 Waveguide Standard Gain Horn Antenna Operating From 26.5 GHz to 40 GHz With a Nominal 20 dBi Gain With UG-599/U Square Cover Flange PE9850-20](#)



WR-28 Waveguide Standard Gain Horn Antenna
Operating From 26.5 GHz to 40 GHz With a Nominal
20 dBi Gain With UG-599/U Square Cover Flange

Waveguide Antennas Technical Data Sheet

PE9850-20

WR-28 Waveguide Standard Gain Horn Antenna Operating From 26.5 GHz to 40 GHz With a Nominal 20 dBi Gain With UG-599/U Square Cover Flange from Pasternack Enterprises has same day shipment for domestic and International orders. Our RF, microwave and millimeter wave products maintain a 99.4% availability and are part of the broadest selection in the industry.

Click the following link (or enter part number in "SEARCH" on website) to obtain additional part information including price, inventory and certifications: [WR-28 Waveguide Standard Gain Horn Antenna Operating From 26.5 GHz to 40 GHz With a Nominal 20 dBi Gain With UG-599/U Square Cover Flange PE9850-20](https://www.pasternack.com/standard-gain-horn-waveguide-size-wr28-pe9850-20-p.aspx)

URL: <https://www.pasternack.com/standard-gain-horn-waveguide-size-wr28-pe9850-20-p.aspx>

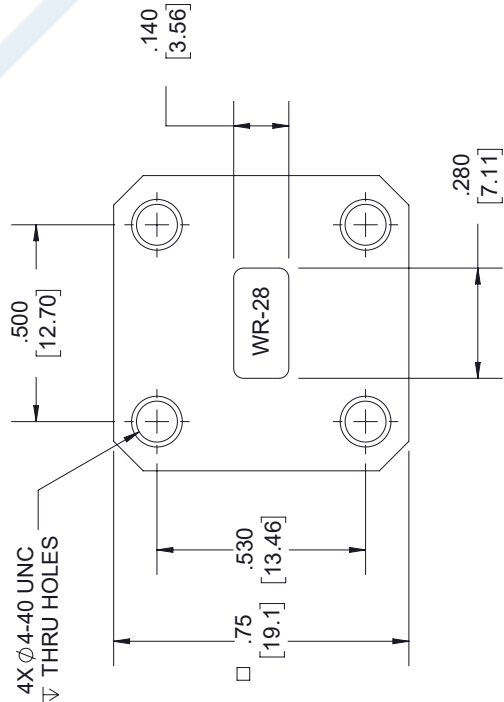
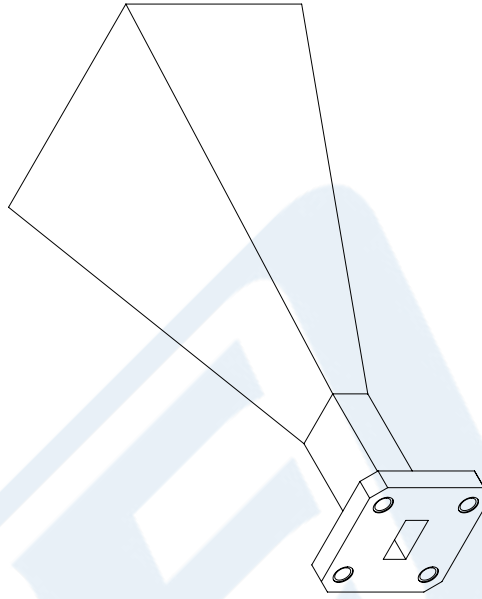
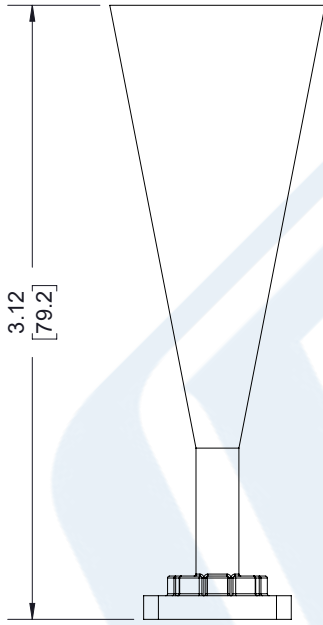
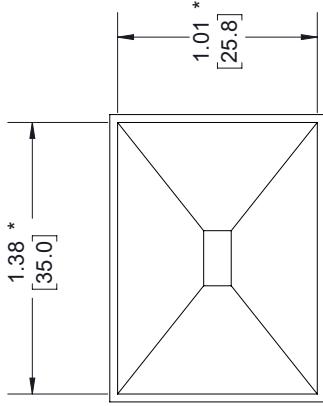
The information contained in this document is accurate to the best of our knowledge and representative of the part described herein. It may be necessary to make modifications to the part and/or the documentation of the part, in order to implement improvements. Pasternack reserves the right to make such changes as required. Unless otherwise stated, all specifications are nominal. Pasternack does not make any representation or warranty regarding the suitability of the part described herein for any particular purpose, and Pasternack does not assume any liability arising out of the use of any part or documentation.

PE9850-20 CAD Drawing

WR-28 Waveguide Standard Gain Horn Antenna Operating From 26.5 GHz to 40 GHz With a Nominal 20 dBi Gain With UG-599/U Square Cover Flange

REVISIONS			
REV.	DESCRIPTION	DATE	APPROVED
A	PCR PE9850-20	7/2/2020	K. Hieipas

WR-28
UG-599/U SQUARE FLANGE



FLANGE DETAIL

LABEL:

PASTERNAK
PE9850-20
D/C: YYWW

* INSIDE DIMENSION

UNLESS OTHERWISE SPECIFIED
LEADING DIMENSIONS ARE INCHES
DIMENSIONS IN [] ARE MILLIMETERS

TOLERANCES:
 .X = ±.2 [5.08] FRACTIONS ± 1/32
 .XX = ±.02 [.51] ± 1/32
 .XXX = ±.005 [.13] ANGLES ± 1°
 CABLE LENGTH (L) TOLERANCES:
 L ≤ 12 [305] = +1 [25] / -0
 12 [305] < L ≤ 60 [1524] = +2 [51] / -0
 60 [1524] < L ≤ 120 [3048] = +4 [102] / -0
 120 [3048] < L ≤ 300 [7620] = +6 [152] / -0
 300 [7620] < L = +5%L / -0
 ALL DIMENSIONS SHOWN
 ARE FOR REFERENCE ONLY.



THE INFORMATION AND
DESIGN IN THIS DOCUMENT
IS THE PROPERTY OF
PASTERNAK CORPORATION
ALL RIGHTS RESERVED.

SHEET 1 OF 1

SCALE N/A

REV A



Pasternack Enterprises, Inc.
P. O. Box 16759, Irvine, CA 92623.
Phone: 1.949.261.1920 | 1.866.727.8376

Fax: 1.949.261.7451
Website: www.pasternack.com
E-mail: sales@pasternack.com

ITEM NO. PE9850-20

SIZE A CAGE CODE 53919 DRAWN BY K.Dang