



50 Ohm 2 Way N Equal Tapper Optimized For Mobile Networks From 380 MHz to 2.5 GHz Rated at 500 Watts

TECHNICAL DATA SHEET

PE-T1000

50 Ohm 2 Way N Power Divider Optimized For Mobile Networks From 380 MHz to 2.5 GHz Rated at 500 Watts

Pasternack's RF Tapper Power Dividers are designed to be wideband and low loss, with minimal reflections across Mobile Network bands between 380 MHz and 6 GHz. Their Air Dielectric and no Solder Joint designs make them ideal for indoor use, while the rugged construction ensures IP65 or IP67 outdoor performance.

- Optimized at Mobile Network Frequencies between 380 MHz to 6 GHz
- Low Loss and Low PIM, with VSWR as low as 1.15
- IP65 or IP67 Rated
- Available with High Power N or 7/16 DIN style connectors

Configuration

Input Connector	N Female
Output Connectors	N Female
Frequency Range, GHz	0.38 to 2.5
Number of Output Ports	2
Housing Material and Plating	Aluminum, Conversion Coating

Electrical Specifications

Frequency Range, GHz	0.38 to 2.5
Impedance, Ohms	50
Maximum Insertion Loss, dB	3.1
Maximum Input Power, Watts	500
Maximum Input VSWR	1.25:1
Peak Input Power, KWatts	3
Flatness, dB	0.25

Mechanical Specifications

Size

Length, in [mm]	10.23 [259.84]
Width, in [mm]	1 [25.4]
Height, in [mm]	2.1 [53.34]
Weight, lbs [g]	0.87 [394.63]
Humidity	IP65

Input Connector

Contact Material and Plating	Brass, Silver
Connector Material and Plating	Brass, Silver
Body Material and Plating	Brass, Silver

Output Connectors

Contact Material and Plating	Brass, Silver
Connector Material and Plating	Brass, Silver

Click the following link (or enter part number in "SEARCH" on website) to obtain additional part information including price, inventory and certifications: [50 Ohm 2 Way N Equal Tapper Optimized For Mobile Networks From 380 MHz to 2.5 GHz Rated at 500 Watts PE-T1000](#)

The information contained in this document is accurate to the best of our knowledge and representative of the part described herein. It may be necessary to make modifications to the part and/or the documentation of the part, in order to implement improvements. Pasternack reserves the right to make such changes as required. Unless otherwise stated, all specifications are nominal.



50 Ohm 2 Way N Equal Tapper Optimized For Mobile Networks From 380 MHz to 2.5 GHz Rated at 500 Watts

TECHNICAL DATA SHEET

PE-T1000

Body Material and Plating

Brass, Silver

Compliance Certifications (visit www.Pasternack.com for current document)

RoHS Compliant

Yes

Plotted and Other Data

Notes:

Values at 25 °C, sea level

Insertion Loss = Dissipative Loss + Coupling Loss.

50 Ohm 2 Way N Equal Tapper Optimized For Mobile Networks From 380 MHz to 2.5 GHz Rated at 500 Watts from Pasternack Enterprises has same day shipment for domestic and International orders. Our RF, microwave and fiber optic products maintain a 99% availability and are part of the broadest selection in the industry.

Click the following link (or enter part number in "SEARCH" on website) to obtain additional part information including price, inventory and certifications: [50 Ohm 2 Way N Equal Tapper Optimized For Mobile Networks From 380 MHz to 2.5 GHz Rated at 500 Watts PE-T1000](http://www.pasternack.com/2-way-n-equal-tapper-380-mhz-2.5-ghz-500watts-pe-t1000-p.aspx)

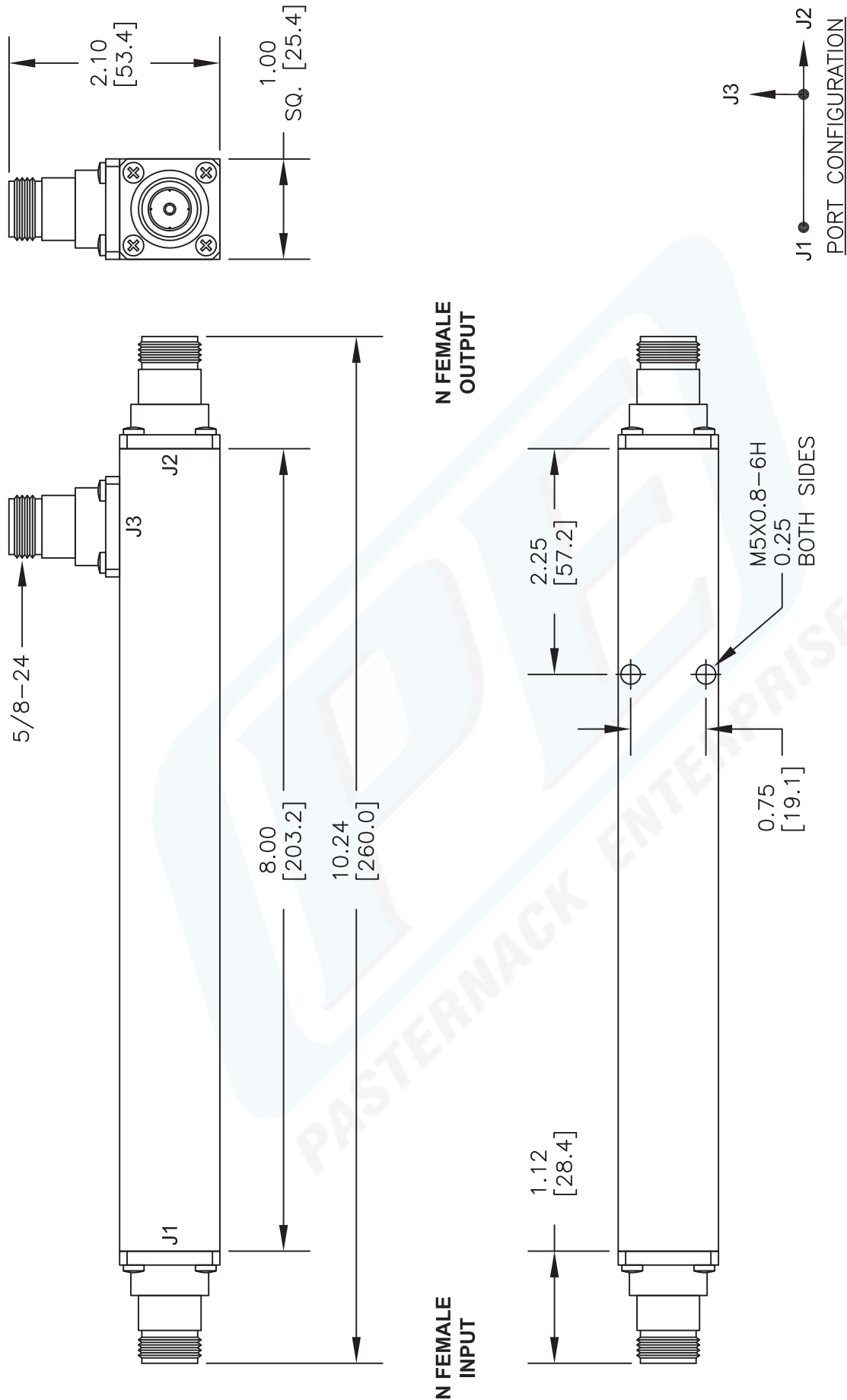
URL: <http://www.pasternack.com/2-way-n-equal-tapper-380-mhz-2.5-ghz-500watts-pe-t1000-p.aspx>

The information contained in this document is accurate to the best of our knowledge and representative of the part described herein. It may be necessary to make modifications to the part and/or the documentation of the part, in order to implement improvements. Pasternack reserves the right to make such changes as required. Unless otherwise stated, all specifications are nominal.

PE-T1000 CAD Drawing

50 Ohm 2 Way N Equal Tapper Optimized For Mobile Networks

From 380 MHz to 2.5 GHz Rated at 500 Watts



* FOR OPTIONAL MOUNTING BRACKET, SEE PE1010.

NOTES:

1. UNLESS OTHERWISE SPECIFIED ALL DIMENSIONS ARE NOMINAL.
2. ALL SPECIFICATIONS ARE SUBJECT TO CHANGE WITHOUT NOTICE AT ANY TIME.
3. DIMENSIONS ARE IN INCHES [mm].

DWG TITLE

PE-T1000

FSCM NO. 53919

CAD FILE 081313

SCALE N/A

SIZE A

2233



Pasternack Enterprises, Inc.
P.O. Box 16759 | Irvine | CA | 92623
Phone: (949) 261-1920 | Fax: (949) 261-7451
Website: www.pasternack.com | E-Mail: sales@pasternack.com