



Dual Directional 30 dB SMA Coupler to 16 GHz Rated to 50 Watts

Couplers Technical Data Sheet

PE2223-30

Electrical Specifications

Description	Minimum	Typical	Maximum	Units
Frequency Range	8		16	GHz
Impedance		50		Ohms
Coupling		30 ±1.25		dB
Frequency Sensitivity			±0.8	dB
Insertion Loss			1	dB
Directivity	15			dB
Main Line VSWR			1.4:1	
Secondary Line VSWR			1.4:1	
Input Power (CW)			50	Watts
Input Power (Peak)			2	kWatts

Electrical Specification Notes:
Values at 25°C, sea level.

Mechanical Specifications

Size

Length	2.85 in [72.39 mm]
Width/Dia.	0.38 in [9.65 mm]
Height	1.14 in [28.96 mm]
Weight	0.105 lbs [47.63 g]

Configuration

Input Connector	SMA Female
Output Connector	SMA Female
Coupled Connectors	SMA Female

Compliance Certifications (see [product page](#) for current document)

Plotted and Other Data

Notes:

- Values at 25°C, sea level.

Click the following link (or enter part number in "SEARCH" on website) to obtain additional part information including price, inventory and certifications: [Dual Directional 30 dB SMA Coupler to 16 GHz Rated to 50 Watts PE2223-30](#)



Dual Directional 30 dB SMA Coupler to 16 GHz Rated to 50 Watts

Couplers Technical Data Sheet

PE2223-30

Dual Directional 30 dB SMA Coupler to 16 GHz Rated to 50 Watts from Pasternack Enterprises has same day shipment for domestic and International orders. Our RF, microwave and millimeter wave products maintain a 99.4% availability and are part of the broadest selection in the industry.

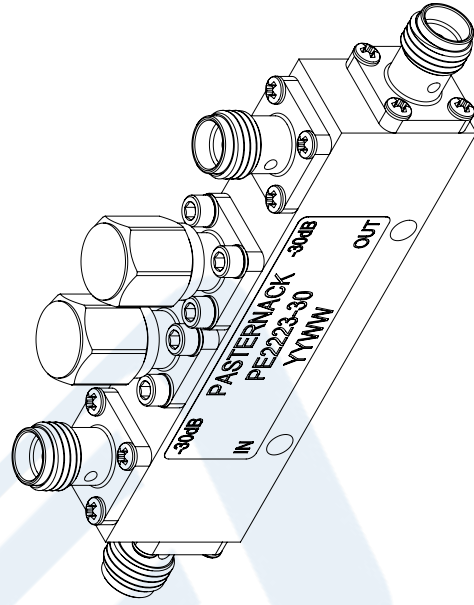
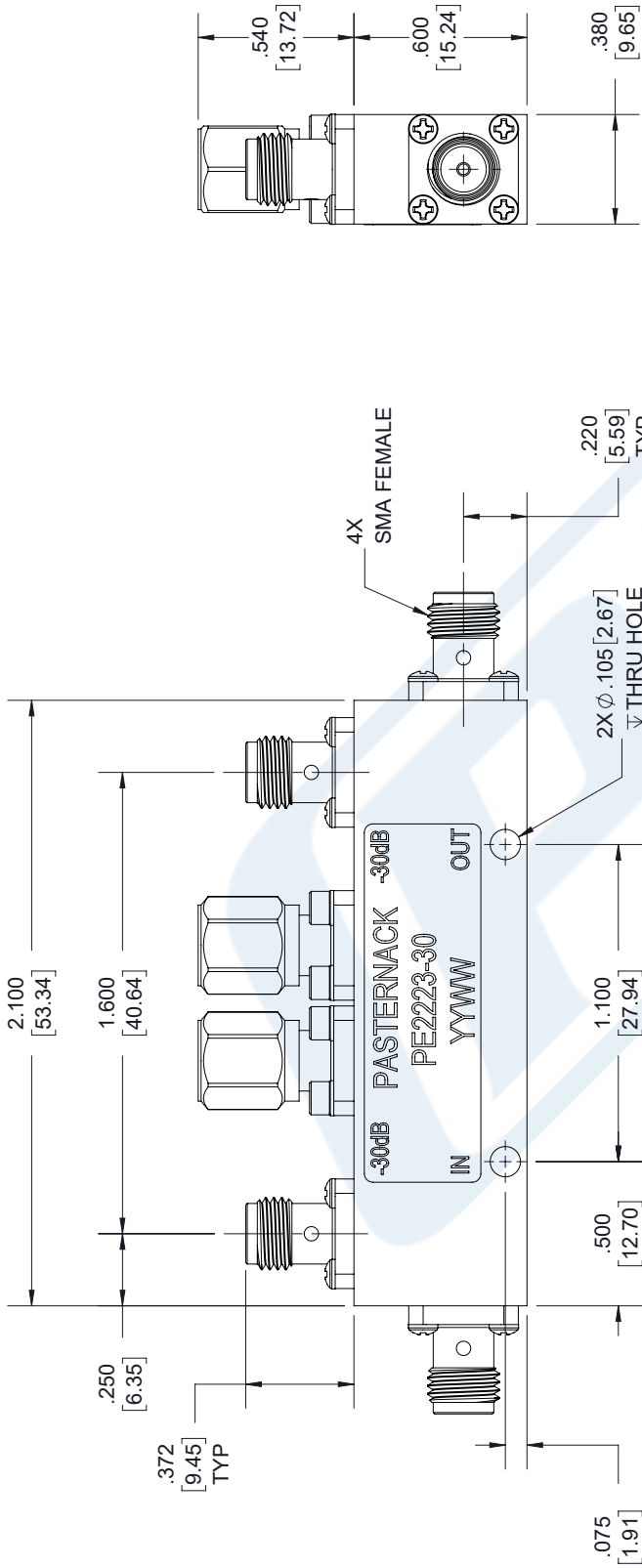
Click the following link (or enter part number in "SEARCH" on website) to obtain additional part information including price, inventory and certifications: [Dual Directional 30 dB SMA Coupler to 16 GHz Rated to 50 Watts PE2223-30](https://www.pasternack.com/dual-directional-30-db-sma-coupler-8-16-ghz-10-watts-pe2223-30-p.aspx)

URL: <https://www.pasternack.com/dual-directional-30-db-sma-coupler-8-16-ghz-10-watts-pe2223-30-p.aspx>

The information contained in this document is accurate to the best of our knowledge and representative of the part described herein. It may be necessary to make modifications to the part and/or the documentation of the part, in order to implement improvements. Pasternack reserves the right to make such changes as required. Unless otherwise stated, all specifications are nominal. Pasternack does not make any representation or warranty regarding the suitability of the part described herein for any particular purpose, and Pasternack does not assume any liability arising out of the use of any part or documentation.

PE2223-30 CAD Drawing

Dual Directional 30 dB SMA Coupler to 16 GHz Rated to 50 Watts



STANDARD TOLERANCES

.X ±0.2
 .XX ±0.01
 .XXX ±0.005

*STANDARD TOLERANCES APPLY ONLY TO DIMENSIONS IN INCHES



Pasternack Enterprises, Inc.
 P.O. Box 16759 | Irvine | CA | 92623
 Phone: (949) 261-1920 | Fax: (949) 261-7451
 Website: www.pasternack.com | E-Mail: sales@pasternack.com

DWG TITLE

PE2223-30

NOTES:
 1. UNLESS OTHERWISE SPECIFIED ALL DIMENSIONS ARE NOMINAL.
 2. ALL SPECIFICATIONS ARE SUBJECT TO CHANGE WITHOUT NOTICE AT ANY TIME.
 3. DIMENSIONS ARE IN INCHES [mm].

CAGE CODE 53919

CAD FILE 09/28/18

SCALE N/A

SIZE A

7361