



SMA Male Right Angle to N Female Bulkhead Semi-Flexible Precision Cable Using PE-SR402FLJ Coax, LF Solder, RoHS

RF Cable Assemblies Technical Data Sheet

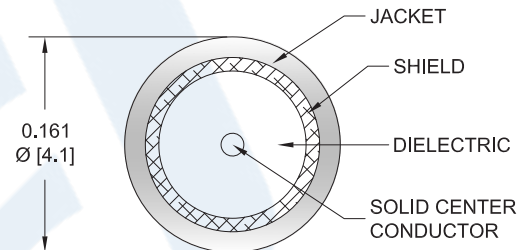
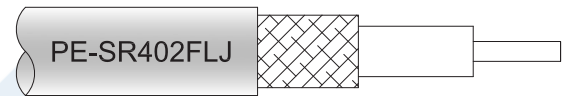
PE39470

Configuration

- Connector 1: SMA Male Right Angle
- Connector 2: N Female Bulkhead
- Cable Type: PE-SR402FLJ

Features

- Max Frequency 10 GHz
- Shielding Effectivity > 100 dB
- 70% Phase Velocity
- FEP Jacket
- Dimensionally and electrically the same as standard, solid outer conductor semi-rigid coax
- Cable may be formed by hand and does not require special tools to bend
- May be formed more than once without damaging the outer conductor
- High RF Shielding >100 dB
- 100% Hi-pot and continuity tested
- 100% VSWR tested to max frequency of assembly
- Standard and custom lengths ship the same day



Applications

- General Purpose
- Laboratory Use

Description

Pasternack's PE39470 SMA male right angle to type N female bulkhead cable using PE-SR402FLJ coax is part of our full line of RF components available for same-day shipping. Pasternack's formable RF cable assemblies provide an alternative to costly pre-formed semi-rigid assemblies since they are hand formable. This Pasternack SMA to type N cable assembly has a male to female gender configuration with 50 ohm formable PE-SR402FLJ coax. The PE39470 SMA male to type N female cable assembly operates to 10 GHz. The right angle SMA interface on the PE-SR402FLJ cable allows for easier connections in tight spaces. Our RF cable assembly with type N bulkhead interface allows designers to create external connections on their product enclosures, and can be used in a variety of other rack mount and panel mount applications. Pasternack's formable cable assemblies are hand formable semi-rigid replacements that are an alternative to costly preformed assemblies. The formable semi-rigid cable alternatives are dimensionally and electrically similar to their semi-rigid counterpart and have a tinned-copper-braid outer shield that provides excellent RF shielding. The hand formable cable assemblies from Pasternack do not require special tooling to shape or reshape the assemblies and can replace standard semi-rigid versions. The assemblies are available with or without a FEP jacket and are RoHS compliant,

Custom versions of most RF cable assemblies can be built and shipped same day. Custom cable assembly lengths can be obtained by specifying the desired length on the web site at time of order or by contacting a sales representative. Other available RF cable assembly value added services include connector orientation or clocking, heat shrink booting and custom labeling. RF testing can also be performed to document the electrical performance of your cable assembly.

Click the following link (or enter part number in "SEARCH" on website) to obtain additional part information including price, inventory and certifications: [SMA Male Right Angle to N Female Bulkhead Semi-Flexible Precision Cable Using PE-SR-402FLJ Coax, LF Solder, RoHS PE39470](#)



SMA Male Right Angle to N Female Bulkhead Semi-Flexible Precision Cable Using PE-SR402FLJ Coax, LF Solder, RoHS

RF Cable Assemblies Technical Data Sheet

PE39470

Electrical Specifications

Description	Minimum	Typical	Maximum	Units
Frequency Range	DC		10	GHz
VSWR			1.5:1	
Velocity of Propagation		70		%
RF Shielding	100			dB
Group Delay		1.43 [4.69]		ns/ft [ns/m]
Capacitance		29 [95.14]		pF/ft [pF/m]

Specifications by Frequency

Description	F1	F2	F3	F4	F5	Units
Frequency	0.5	1	2.5	5	10	GHz
Insertion Loss (Typ.)	0.279	0.319	0.379	0.48	0.621	dB/ft
	0.92	1.05	1.24	1.57	2.04	dB/m

Mechanical Specifications

Cable Assembly

Diameter	0.866 in [22 mm]
Weight	0.123 lbs [55.79 g]

Cable

Cable Type	PE-SR402FLJ
Impedance	50 Ohms
Inner Conductor Type	Solid
Inner Conductor Material and Plating	Copper Clad Steel, Silver
Dielectric Type	PTFE
Number of Shields	1
Shield Layer 1	Tinned Copper Braid
Jacket Material	FEP, Black
Jacket Diameter	0.161 in [4.09 mm]

One Time Minimum Bend Radius	0.315 in [8 mm]
Repeated Minimum Bend Radius	1.575 in [40.01 mm]

Click the following link (or enter part number in "SEARCH" on website) to obtain additional part information including price, inventory and certifications: [SMA Male Right Angle to N Female Bulkhead Semi-Flexible Precision Cable Using PE-SR-402FLJ Coax, LF Solder, RoHS PE39470](#)



SMA Male Right Angle to N Female Bulkhead Semi-Flexible Precision Cable Using PE-SR402FLJ Coax, LF Solder, RoHS

RF Cable Assemblies Technical Data Sheet

PE39470

Connectors

Description	Connector 1	Connector 2
Type	SMA Male Right Angle	N Female Bulkhead
Impedance	50 Ohms	50 Ohms
Contact Material and Plating	Brass, Gold	Phosphor Bronze, Gold
Dielectric Type	PTFE	PTFE
Body Material and Plating	Brass, Gold	Brass, Nickel
Coupling Nut Material and Plating	Passivated Stainless Steel	
Hex Size	5/16 in.	
Torque	8 in-lbs [0.9 Nm]	

Compliance Certifications (see [product page](#) for current document)

Plotted and Other Data

Notes:

- Values at 25°C, sea level.

Click the following link (or enter part number in "SEARCH" on website) to obtain additional part information including price, inventory and certifications: [SMA Male Right Angle to N Female Bulkhead Semi-Flexible Precision Cable Using PE-SR-402FLJ Coax, LF Solder, RoHS PE39470](#)



SMA Male Right Angle to N Female Bulkhead Semi-Flexible Precision Cable Using PE-SR402FLJ Coax, LF Solder, RoHS

RF Cable Assemblies Technical Data Sheet

PE39470

How to Order

Part Number Configuration:

PE39470

- **xx**

uu

Unit of Measure:
cm = Centimeters
<blank> = Inches
Length
Base Number

Example: PE39470-12 = 12 inches long cable
PE39470-100cm = 100 cm long cable

SMA Male Right Angle to N Female Bulkhead Semi-Flexible Precision Cable Using PE-SR402FLJ Coax, LF Solder, RoHS from Pasternack Enterprises has same day shipment for domestic and International orders. Our RF, microwave and millimeter wave products maintain a 99.4% availability and are part of the broadest selection in the industry.

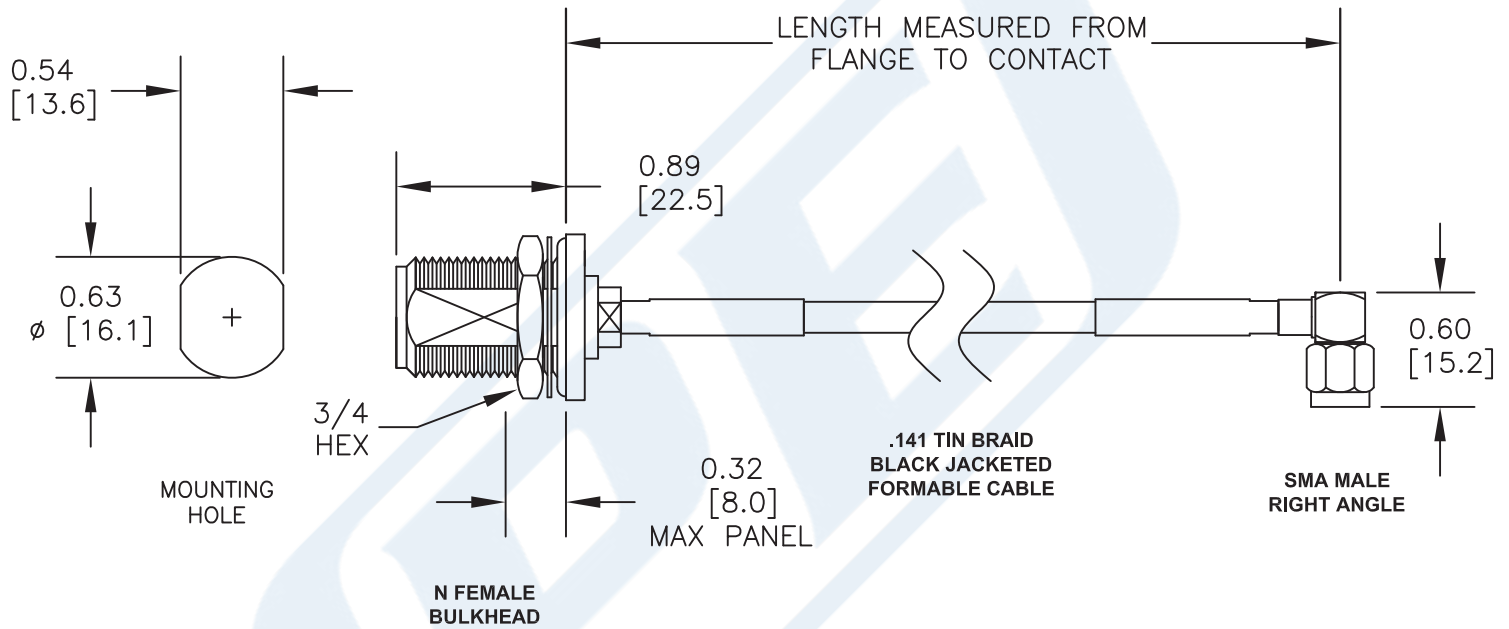
Click the following link (or enter part number in "SEARCH" on website) to obtain additional part information including price, inventory and certifications: [SMA Male Right Angle to N Female Bulkhead Semi-Flexible Precision Cable Using PE-SR402FLJ Coax, LF Solder, RoHS PE39470](https://www.pasternack.com/sma-male-n-female-pe-sr402flj-cable-assembly-pe39470-p.aspx)

URL: <https://www.pasternack.com/sma-male-n-female-pe-sr402flj-cable-assembly-pe39470-p.aspx>

The information contained in this document is accurate to the best of our knowledge and representative of the part described herein. It may be necessary to make modifications to the part and/or the documentation of the part, in order to implement improvements. Pasternack reserves the right to make such changes as required. Unless otherwise stated, all specifications are nominal. Pasternack does not make any representation or warranty regarding the suitability of the part described herein for any particular purpose, and Pasternack does not assume any liability arising out of the use of any part or documentation.

PE39470 CAD Drawing

SMA Male Right Angle to N Female Bulkhead Semi-Flexible Precision Cable Using PE-SR402FLJ Coax, LF Solder, RoHS



Note: This part is lead free.



Pasternack Enterprises, Inc.
P.O. Box 16759 | Irvine | CA | 92623

Phone: (949) 261-1920 | Fax: (949) 261-7451

Website: www.pasternack.com | E-Mail: sales@pasternack.com

NOTES:

1. UNLESS OTHERWISE SPECIFIED ALL DIMENSIONS ARE NOMINAL.
2. ALL SPECIFICATIONS ARE SUBJECT TO CHANGE WITHOUT NOTICE AT ANY TIME.
3. DIMENSIONS ARE IN INCHES [mm].
4. LENGTH TOLERANCE IS $\pm 1.5\%$ OR $3/8"$, WHICHEVER IS GREATER.

DWG TITLE

PE39470

FSCM NO. 53919

CAD FILE

012215

SCALE N/A

SIZE A

2233