



## 75 Ohm BNC Female Bulkhead Connector Crimp/ Solder Attachment For 735A, .480 inch D Hole

### TECHNICAL DATA SHEET

PE44687

#### 75 Ohm BNC Female Bulkhead Connector Crimp/Solder Attachment For 735A, .480 inch D Hole

##### Configuration

Connector	BNC Female
Connector Interface Type	735A
Cable Attachment Method (Shield/Contact)	Crimp/Solder
Body Style	Straight
Mount Method	Bulkhead

##### Electrical Specifications

Frequency Range, GHz	DC to 4
Impedance, Ohms	75
Maximum VSWR	1.3:1
Maximum Operating Voltage, Volts	335
Dielectric Withstanding Voltage, Vrms	750

##### Mechanical Specifications

###### Temperature

Operating Range, deg C	-65 to +165
------------------------	-------------

###### Size

Length, in [mm]	1.43 [36.32]
Width/Dia., in [mm]	0.63 [16.00]
Weight, lbs [g]	0.04 [18.14]

###### Connector

Type	BNC Female
Contact Material and Plating	Brass, Gold
Contact Plating Specification	30µ in. minimum
Body Material and Plating	Brass, Nickel
Body Plating Specification	100µ in. minimum
Dielectric Type	Teflon

##### Compliance Certifications (visit [www.Pasternack.com](http://www.Pasternack.com) for current document)

RoHS Compliant	Yes
----------------	-----

Click the following link (or enter part number in "SEARCH" on website) to obtain additional part information including price, inventory and certifications: [75 Ohm BNC Female Bulkhead Connector Crimp/Solder Attachment For 735A, .480 inch D Hole PE44687](#)

The information contained in this document is accurate to the best of our knowledge and representative of the part described herein. It may be necessary to make modifications to the part and/or the documentation of the part, in order to implement improvements. Pasternack reserves the right to make such changes as required. Unless otherwise stated, all specifications are nominal.



75 Ohm BNC Female Bulkhead Connector Crimp/  
Solder Attachment For 735A, .480 inch D Hole

TECHNICAL DATA SHEET

PE44687

**Plotted and Other Data**

Notes:

Values at 25 °C, sea level

75 Ohm BNC Female Bulkhead Connector Crimp/Solder Attachment For 735A, .480 inch D Hole from Pasternack Enterprises has same day shipment for domestic and International orders. Our RF, microwave and fiber optic products maintain a 99% availability and are part of the broadest selection in the industry.

Click the following link (or enter part number in "SEARCH" on website) to obtain additional part information including price, inventory and certifications: [75 Ohm BNC Female Bulkhead Connector Crimp/Solder Attachment For 735A, .480 inch D Hole PE44687](http://www.pasternack.com/bnc-female-standard-735a-connector-pe44687-p.aspx)

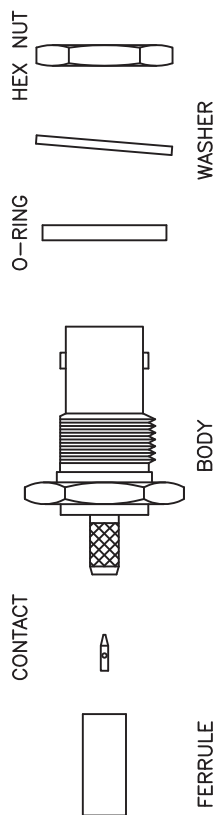
URL: <http://www.pasternack.com/bnc-female-standard-735a-connector-pe44687-p.aspx>

The information contained in this document is accurate to the best of our knowledge and representative of the part described herein. It may be necessary to make modifications to the part and/or the documentation of the part, in order to implement improvements. Pasternack reserves the right to make such changes as required. Unless otherwise stated, all specifications are nominal.

# PE44687 CAD Drawing

75 Ohm BNC Female Bulkhead Connector Crimp/Solder  
Attachment For 735A, .480 inch D Hole

## ASSEMBLY PROCEDURES



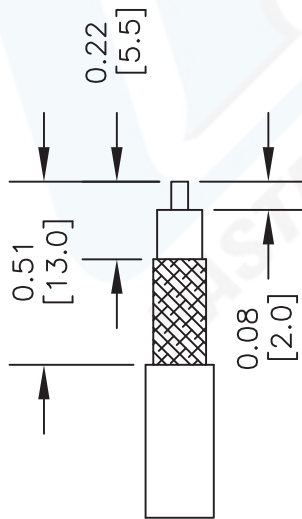
FERRULE

BODY

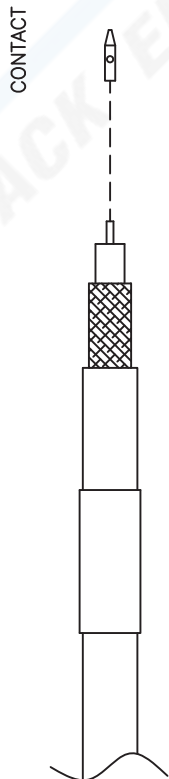
WASHER

HEX NUT

1. STRIP CABLE TO THE DIMENSIONS SHOWN.



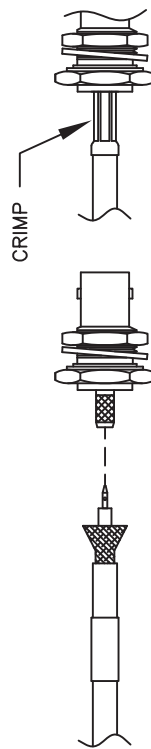
2. SOLDER CONTACT TO CENTER CONDUCTOR, THEN SLIDE FERRULE ONTO CABLE.



FERRULE

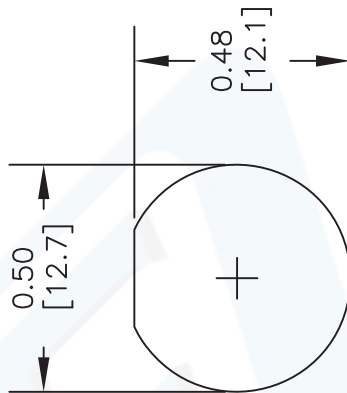
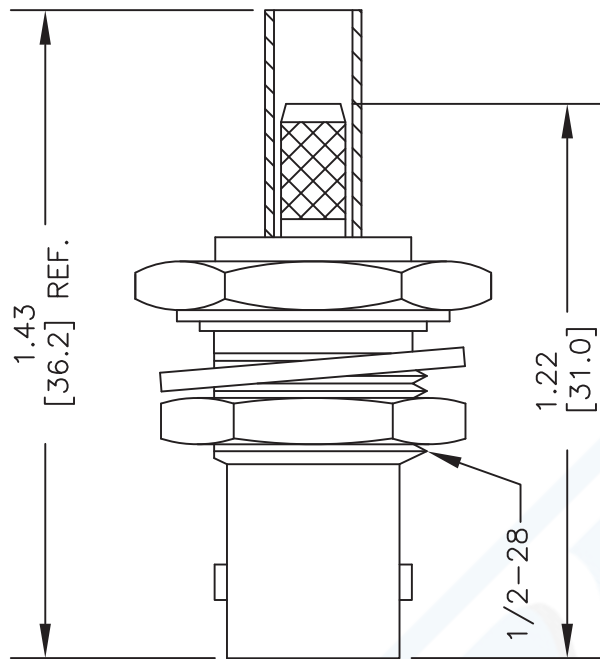
CONTACT

3. INSERT BODY INTO BRAID AND DIELECTRIC, SLIDE FERRULE OVER BRAID, CRIMP IT WITH .178" HEX CRIMP TOOL.



BODY

CRIMP



MOUNTING HOLE

DWG TITLE

**PE44687**

NOTES:  
1. UNLESS OTHERWISE SPECIFIED ALL DIMENSIONS ARE NOMINAL.  
2. ALL SPECIFICATIONS ARE SUBJECT TO CHANGE WITHOUT NOTICE AT ANY TIME.  
3. DIMENSIONS ARE IN INCHES [mm].  
4. FITS MIL-C-17 AND EQUIVALENT CABLES.

PASTERNAK ENTERPRISES, INC.

P.O. BOX 16759, IRVINE, CA 92623

PHONE (949) 261-1920 FAX (949) 261-7451

WEB ADDRESS: [www.pasternack.com](http://www.pasternack.com)

E-MAIL ADDRESS: [sales@pasternack.com](mailto:sales@pasternack.com)

COAXIAL & FIBER OPTICS



**PASTERNAK ENTERPRISES**  
ESTABLISHED 1972

FSCM NO. 53919

CAD FILE 042412

SCALE N/A

SIZE A

2231