



## Mini SMP Male Full Detent Connector Solder Attachment Thru Hole PCB, Low Profile

### RF Connectors Technical Data Sheet

PE44970

#### Configuration

- Full Detent Mini SMP Male Connector
- 50 Ohms
- Straight Body Geometry
- Connector Interface Types: Thru Hole

#### Features

- Max. Operating Frequency 40 GHz
- Good VSWR of 1.35:1
- Gold Plated Beryllium Copper Contact
- Contact plating according to MIL-G-45204
- Blind Mate Connector

#### Applications

- General Purpose Test
- Space Saving for PCB Applications

#### Description

Pasternack's PE44970 Mini SMP male full detent connector with solder attachment for Thru Hole PCB is part of our full line of RF components available for same-day shipping. Our Mini SMP male connector operates up to a maximum frequency of 40 GHz and offers good VSWR of 1.35:1. The Pasternack blind mate connector is ideal for applications where direct visual or tactile access to the connection point is not possible, for example, when two circuit boards need to be mated.

Our Mini SMP male connector PE44970 datasheet specifications and drawing with dimensions are shown below in this PDF. Pasternack's broad catalog of RF, microwave and millimeter wave connectors allows designers to configure and customize their signal connections however they like. Whether the need is to provide an I/O for a board design, or simply create a custom cable assembly configuration, Pasternack has the right connector for the job. Pasternack can also expertly build your custom cable assemblies for you and ship same-day.

#### Electrical Specifications

Description	Minimum	Typical	Maximum	Units
Frequency Range	DC		40	GHz
VSWR			1.35:1	
Insertion Loss			0.76	dB
Dielectric Withstanding Voltage (AC)			325	Vrms
High Potential Voltage Min @ 5 MHz			200	Vrms
Inner Conductor DC Resistance			2	mOhms
Insulation Resistance	5,000			MOhms
RF Leakage	-65			dB

Click the following link (or enter part number in "SEARCH" on website) to obtain additional part information including price, inventory and certifications: [Mini SMP Male Full Detent Connector Solder Attachment Thru Hole PCB, Low Profile PE44970](#)



Mini SMP Male Full Detent Connector Solder Attachment Thru Hole PCB, Low Profile

RF Connectors  
Technical Data Sheet

PE44970

**Mechanical Specifications**

**Size**

Length	0.191 in [4.85 mm]
Width/Dia.	0.166 in [4.22 mm]
Weight	0.0574 lbs [26.04 g]
Mating Cycles	100 Cycles

**Material Specifications**

Description	Material	Plating
Contact	Beryllium Copper	Gold MIL-G-45204
Insulation	PAI	
Outer Conductor	Beryllium Copper	Gold MIL-G-45204
Body	Beryllium Copper	Gold MIL-G-45204

**Environmental Specifications**

**Temperature**

Operating Range	-65 to +165 deg C
Shock	MIL-STD-202, METHOD 213, CON. I
Vibration	MIL-STD-202, METHOD 204, CON. D
Thermal Shock	MIL-STD-202, METHOD 107, CON. B

**Compliance Certifications** (see [product page](#) for current document)

**Plotted and Other Data**

Notes:

Click the following link (or enter part number in "SEARCH" on website) to obtain additional part information including price, inventory and certifications: [Mini SMP Male Full Detent Connector Solder Attachment Thru Hole PCB, Low Profile PE44970](#)



## Mini SMP Male Full Detent Connector Solder Attachment Thru Hole PCB, Low Profile

### RF Connectors Technical Data Sheet

PE44970

Mini SMP Male Full Detent Connector Solder Attachment Thru Hole PCB, Low Profile from Pasternack Enterprises has same day shipment for domestic and International orders. Our RF, microwave and millimeter wave products maintain a 99.4% availability and are part of the broadest selection in the industry.

Click the following link (or enter part number in "SEARCH" on website) to obtain additional part information including price, inventory and certifications: [Mini SMP Male Full Detent Connector Solder Attachment Thru Hole PCB, Low Profile PE44970](https://www.pasternack.com/mini-smp-male-standard-thru-hole-pcb-connector-pe44970-p.aspx)

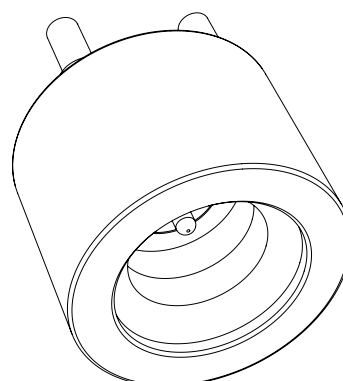
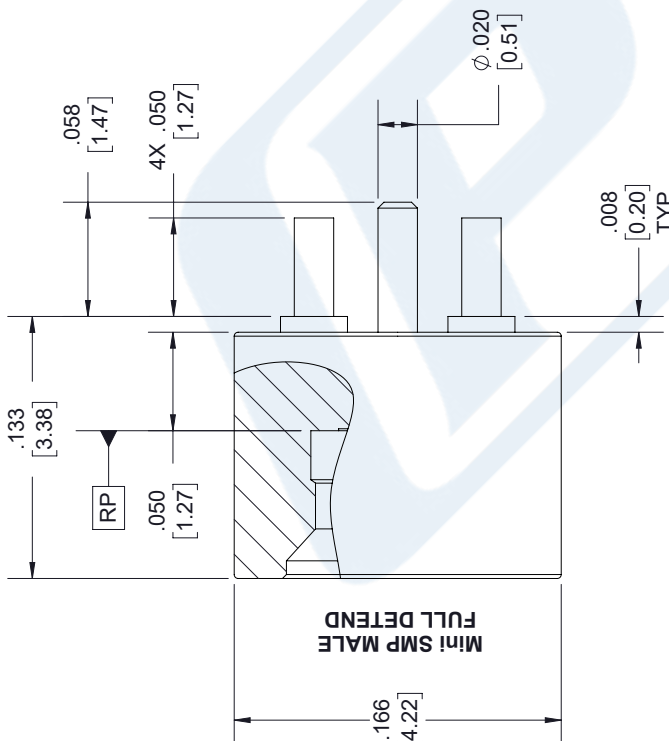
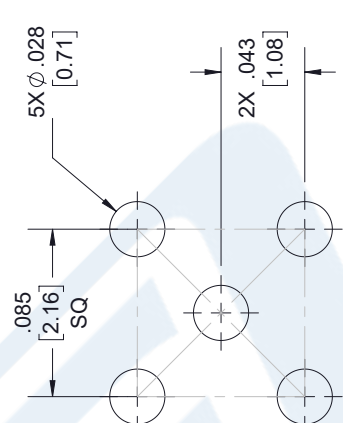
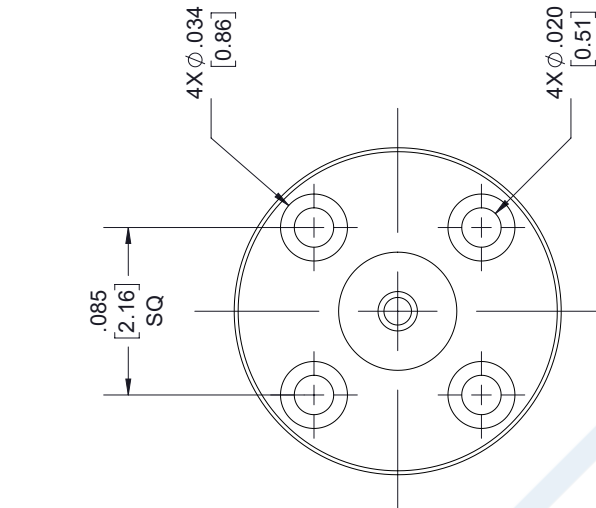
URL: <https://www.pasternack.com/mini-smp-male-standard-thru-hole-pcb-connector-pe44970-p.aspx>

The information contained in this document is accurate to the best of our knowledge and representative of the part described herein. It may be necessary to make modifications to the part and/or the documentation of the part, in order to implement improvements. Pasternack reserves the right to make such changes as required. Unless otherwise stated, all specifications are nominal. Pasternack does not make any representation or warranty regarding the suitability of the part described herein for any particular purpose, and Pasternack does not assume any liability arising out of the use of any part or documentation.

# PE44970 CAD Drawing

Mini SMP Male Full Detent Connector Solder Attachment Thru Hole PCB, Low Profile

REV.	DESCRIPTION	DATE	APPROVED
A	PCR 44970	12/24/2019	S. ELLIS



<p>UNLESS OTHERWISE SPECIFIED LEADING DIMENSIONS ARE INCHES DIMENSIONS IN [ ] ARE MILLIMETERS</p> <p>TOLERANCES:</p> <table border="0"> <tr> <td>.X = ±.2</td> <td>[5.08]</td> <td>FRACTIONS</td> <td>± 1/32</td> </tr> <tr> <td>.XX = ±.02</td> <td>[.51]</td> <td>ANGLES</td> <td>± 1°</td> </tr> <tr> <td>.XXX = ±.005</td> <td>[.13]</td> <td>CABLE LENGTH (L)</td> <td>TOLERANCES:</td> </tr> <tr> <td colspan="4">L ≤ 12 [305] = +1 [25] / -0</td> </tr> <tr> <td colspan="4">12 [305] &lt; L ≤ 60 [1524] = +2 [51] / -0</td> </tr> <tr> <td colspan="4">60 [1524] &lt; L ≤ 120 [3048] = +4 [102] / -0</td> </tr> <tr> <td colspan="4">120 [3048] &lt; L ≤ 300 [7620] = +6 [152] / -0</td> </tr> <tr> <td colspan="4">300 [7620] &lt; L = +5% / L / -0</td> </tr> </table> <p>ALL DIMENSIONS SHOWN ARE FOR REFERENCE ONLY.</p>	.X = ±.2	[5.08]	FRACTIONS	± 1/32	.XX = ±.02	[.51]	ANGLES	± 1°	.XXX = ±.005	[.13]	CABLE LENGTH (L)	TOLERANCES:	L ≤ 12 [305] = +1 [25] / -0				12 [305] < L ≤ 60 [1524] = +2 [51] / -0				60 [1524] < L ≤ 120 [3048] = +4 [102] / -0				120 [3048] < L ≤ 300 [7620] = +6 [152] / -0				300 [7620] < L = +5% / L / -0				<p>THIRD-ANGLE PROJECTION</p> <p>THE INFORMATION AND DESIGN IN THIS DOCUMENT IS THE PROPERTY OF PASTERNAK CORPORATION. ALL RIGHTS RESERVED.</p> <p>SHEET 1 OF 1</p> <p>SCALE N/A</p>
	.X = ±.2	[5.08]	FRACTIONS	± 1/32																													
.XX = ±.02	[.51]	ANGLES	± 1°																														
.XXX = ±.005	[.13]	CABLE LENGTH (L)	TOLERANCES:																														
L ≤ 12 [305] = +1 [25] / -0																																	
12 [305] < L ≤ 60 [1524] = +2 [51] / -0																																	
60 [1524] < L ≤ 120 [3048] = +4 [102] / -0																																	
120 [3048] < L ≤ 300 [7620] = +6 [152] / -0																																	
300 [7620] < L = +5% / L / -0																																	
<p>PE <b>PASTERNAK</b> an INFINIT brand</p> <p>Pasternack Enterprises, Inc. P. O. Box 16759, Irvine, CA 92623. Phone: 1.949.261.1920   1.866.727.8376 Fax: 1.949.261.7451 Website: www.pasternack.com E-mail: sales@pasternack.com</p>	<p>SIZE A</p> <p>CAGE CODE 53919</p> <p>DRAWN BY K. DANG</p> <p>ITEM NO. PE44970</p> <p>REV. A</p>																																

THESE COMMODITIES, TECHNOLOGY OR SOFTWARE WERE EXPORTED FROM THE UNITED STATES IN ACCORDANCE WITH THE EXPORT ADMINISTRATION REGULATIONS. DIVERSION CONTRARY TO U.S. LAW PROHIBITED.