



7/16 DIN Male Connector Clamp/Solder Attachment
for RG58, RG55, RG141, RG142, RG223, RG400

TECHNICAL DATA SHEET

PE45037

Configuration

| | |
|------------------------------------|--|
| Connector | 7/16 DIN Male |
| Connector Interface Type | RG58, RG55, RG141, RG142, RG223, RG400 |
| Attachment Method (Shield/Contact) | Clamp/Solder |
| Body Style | Straight |

Electrical Specifications

| | |
|-----------|---------|
| Impedance | 50 Ohms |
|-----------|---------|

Mechanical Specifications

Size

| | |
|------------|----------------------|
| Length | 1.87 in [47.5 mm] |
| Width/Dia. | 1.25 in [31.75 mm] |
| Weight | 0.229 lbs [103.87 g] |

Connector

| | |
|-----------------------------------|---------------|
| Type | 7/16 DIN Male |
| Contact Material and Plating | Brass, Silver |
| Coupling Nut Material and Plating | Brass, Nickel |
| Hex Size | 1 1/4 Inch |
| Body Material and Plating | Brass, Nickel |
| Dielectric Type | PTFE |

Compliance Certifications (visit www.Pasternack.com for current document)

RoHS Compliant

Click the following link (or enter part number in "SEARCH" on website) to obtain additional part information including price, inventory and certifications: [7/16 DIN Male Connector Clamp/Solder Attachment for RG58, RG55, RG141, RG142, RG223, RG400 PE45037](#)



7/16 DIN Male Connector Clamp/Solder Attachment for RG58, RG55, RG141, RG142, RG223, RG400

TECHNICAL DATA SHEET

PE45037

Plotted and Other Data

Notes:

- Values at +25 °C, sea level

7/16 DIN Male Connector Clamp/Solder Attachment for RG58, RG55, RG141, RG142, RG223, RG400 from Pasternack Enterprises has same day shipment for domestic and International orders. Our RF, microwave and millimeter wave products maintain a 99% availability and are part of the broadest selection in the industry.

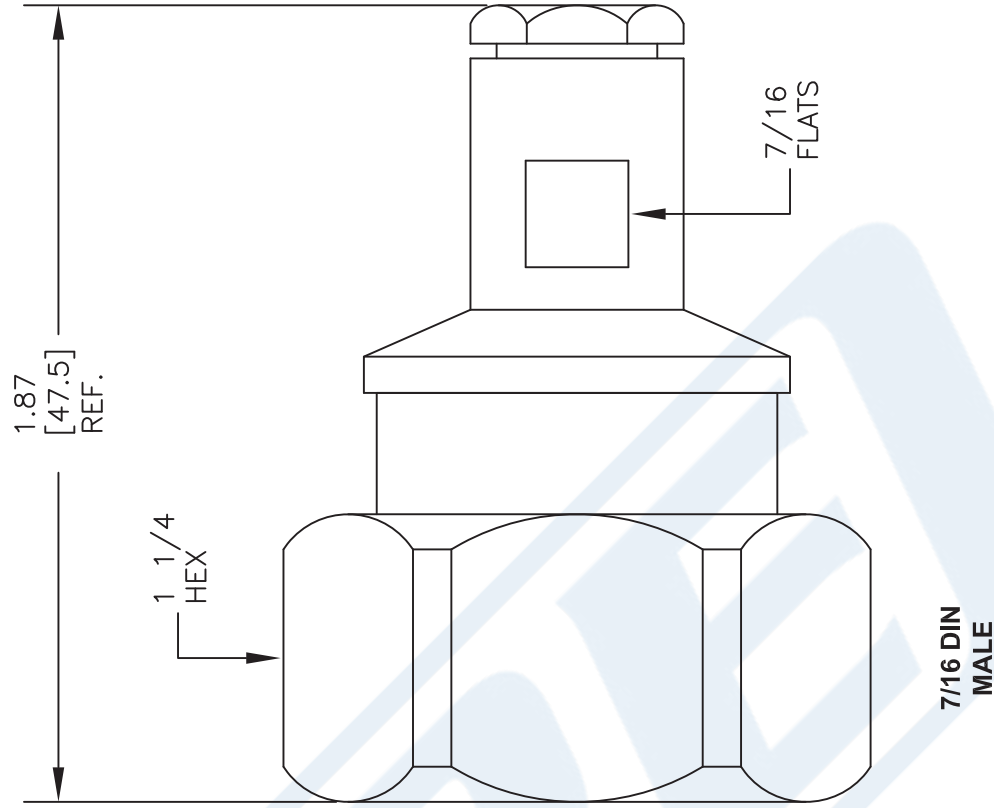
Click the following link (or enter part number in "SEARCH" on website) to obtain additional part information including price, inventory and certifications: [7/16 DIN Male Connector Clamp/Solder Attachment for RG58, RG55, RG141, RG142, RG223, RG400 PE45037](http://www.pasternack.com/7-16-male-standard-standard-rg58-rg55-rg141-rg142-rg223-rg400-connector-pe45037-p.aspx)

URL: <http://www.pasternack.com/7-16-male-standard-standard-rg58-rg55-rg141-rg142-rg223-rg400-connector-pe45037-p.aspx>

The information contained in this document is accurate to the best of our knowledge and representative of the part described herein. It may be necessary to make modifications to the part and/or the documentation of the part, in order to implement improvements. Pasternack reserves the right to make such changes as required. Unless otherwise stated, all specifications are nominal. Pasternack does not make any representation or warranty regarding the suitability of the part described herein for any particular purpose, and Pasternack does not assume any liability arising out of the use of any part or documentation.

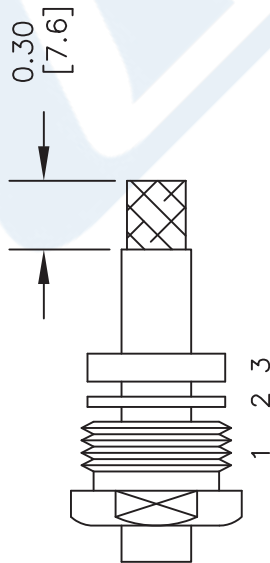
PE45037 CAD Drawing

7/16 DIN Male Connector Clamp/Solder Attachment for
RG58, RG55, RG141, RG142, RG223, RG400

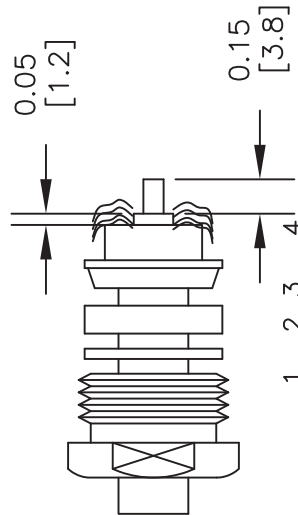


ASSEMBLY PROCEDURES

1. SLIDE CLAMP NUT (1), WASHER (2) & GASKET (3) OVER CABLE. STRIP CABLE AS SHOWN. DO NOT NICK BRAID WHILE CUTTING JACKET. TAPER END OF BRAID TO PERMIT ASSEMBLY OF BRAID CLAMP (4). SLIDE BRAID CLAMP (4) OVER BRAID & SEAT AGAINST JACKET.



2. FORM BRAID OVER CLAMP NUT (4). TRIM BRAID BACK TO SHOULDER. CUT DIELECTRIC & CENTER CONDUCTOR TO DIMENSION SHOWN. DO NOT NICK CENTER CONDUCTOR. SOLDER CONTACT TO CENTER CONDUCTOR. REMOVE EXCESS SOLDER. DO NOT OVER HEAT DIELECTRIC. INSERT CABLE ASSEMBLY INTO BODY & TIGHTEN.



DWG TITLE

PE45037

- NOTES:
1. UNLESS OTHERWISE SPECIFIED ALL DIMENSIONS ARE NOMINAL.
 2. ALL SPECIFICATIONS ARE SUBJECT TO CHANGE WITHOUT NOTICE AT ANY TIME.
 3. DIMENSIONS ARE IN INCHES [mm].
 4. FITS MIL-C-17 AND EQUIVALENT CABLES.

FSCM NO. 53919

CAD FILE 062615

SCALE N/A

SIZE A

2233

(PE) PASTERNAK®
THE ENGINEER'S RF SOURCE

Pasternack Enterprises, Inc.
P.O. Box 16759 | Irvine | CA | 92623
Phone: (949) 261-1920 | Fax: (949) 261-7451
Website: www.pasternack.com | E-Mail: sales@pasternack.com