



BMA Plug Slide-On Connector Solder Attachment 2 Hole Flange Mount Stub Terminal, .481 inch Hole Spacing, Rated to 18GHz

RF Connectors Technical Data Sheet

PE45343

Configuration

- Slide-On BMA Plug Connector
- 50 Ohms
- Straight Body Geometry
- Stub Interface Type
- Solder Attachment
- 2 Hole Flange

Features

- Max. Operating Frequency 18 GHz
- Excellent VSWR of 1.2:1
- Gold Plated Brass Contact
- 51.18µ in. minimum contact plating
- Blind Mate Connector
- Low-Engagement Force

Applications

- General Purpose Test
- Rack and Panel Mount Applications
- Blind Mating
- Rack and Panel
- Phased Array Systems
- Base Stations
- RF Backplanes
- Test I/O

Description

Pasternack's PE45343 BMA plug slide-on 2 hole flange mount connector with solder attachment stub terminal (.481 inch hole spacing) is part of our full line of RF components available for same-day shipping. Our BMA plug connector operates up to a maximum frequency of 18 GHz and offers excellent VSWR of 1.2:1. The Pasternack blind mate connector is ideal for applications where direct visual or tactile access to the connection point is not possible, for example, when two circuit boards need to be mated. This BMA 2 hole flange connector allows designers to create external connections on their product enclosures, and can be used in a variety of other rack mount and panel mount applications.

Our BMA plug 2 hole flange connector PE45343 datasheet specifications and drawing with dimensions are shown below in this PDF. Pasternack's broad catalog of RF, microwave and millimeter wave connectors allows designers to configure and customize their signal connections however they like. Whether the need is to provide an I/O for a board design, or simply create a custom cable assembly configuration, Pasternack has the right connector for the job. Pasternack can also expertly build your custom cable assemblies for you and ship same-day.

Electrical Specifications

Description	Minimum	Typical	Maximum	Units
Frequency Range	DC		18	GHz
VSWR			1.2:1	
Insertion Loss			0.3	dB
Operating Voltage (AC)			500	Vrms
Dielectric Withstanding Voltage (AC)			1,000	Vrms
Insulation Resistance	5,000			MOhms

Click the following link (or enter part number in "SEARCH" on website) to obtain additional part information including price, inventory and certifications: [BMA Plug Slide-On Connector Solder Attachment 2 Hole Flange Mount Stub Terminal, .481 inch Hole Spacing, Rated to 18GHz PE45343](#)



BMA Plug Slide-On Connector Solder Attachment 2 Hole Flange Mount Stub Terminal, .481 inch Hole Spacing, Rated to 18GHz

RF Connectors Technical Data Sheet

PE45343

Mechanical Specifications

Size

Length	0.64 in [16.26 mm]
Width/Dia.	0.63 in [16.00 mm]
Height	0.26 in [6.6 mm]
Weight	0.006 lbs [2.72 g]
Mating Cycles	500 Cycles

Material Specifications

Description	Material	Plating
Contact	Brass	Gold 51.18µ in. minimum
Insulation	PTFE	
Outer Conductor	Brass	Tri-Metal 78.74µ in. minimum
Body	Brass	Tri-Metal 78.74µ in. minimum
Gasket	Silicone Rubber	

Environmental Specifications

Temperature

Operating Range	-65 to +125 deg C
-----------------	-------------------

Click the following link (or enter part number in "SEARCH" on website) to obtain additional part information including price, inventory and certifications: [BMA Plug Slide-On Connector Solder Attachment 2 Hole Flange Mount Stub Terminal, .481 inch Hole Spacing, Rated to 18GHz PE45343](#)



BMA Plug Slide-On Connector Solder Attachment 2 Hole Flange Mount Stub Terminal, .481 inch Hole Spacing, Rated to 18GHz

RF Connectors Technical Data Sheet

PE45343

Compliance Certifications (see [product page](#) for current document)

Plotted and Other Data

Notes:

BMA Plug Slide-On Connector Solder Attachment 2 Hole Flange Mount Stub Terminal, .481 inch Hole Spacing, Rated to 18GHz from Pasternack Enterprises has same day shipment for domestic and International orders. Our RF, microwave and millimeter wave products maintain a 99.4% availability and are part of the broadest selection in the industry.

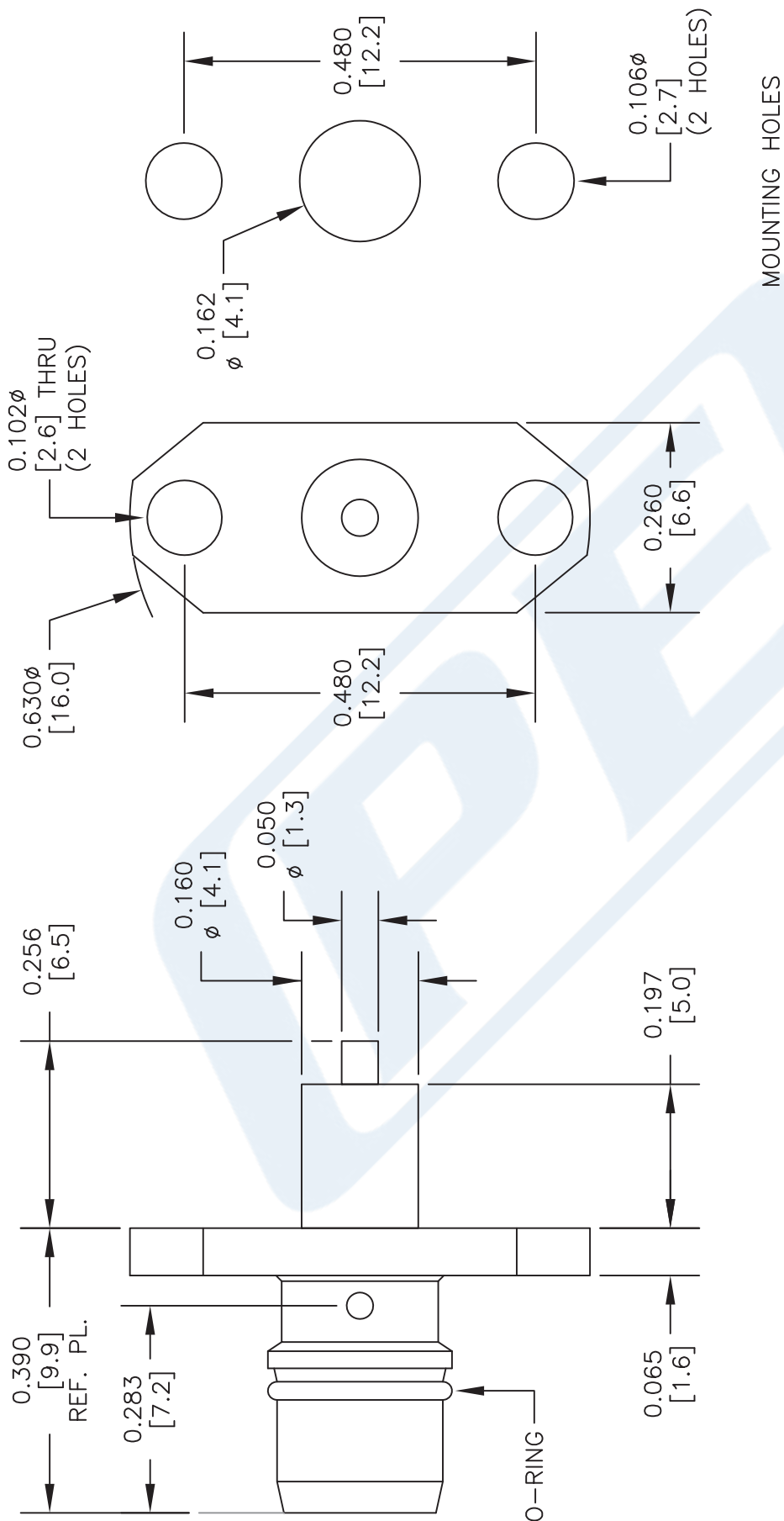
Click the following link (or enter part number in "SEARCH" on website) to obtain additional part information including price, inventory and certifications: [BMA Plug Slide-On Connector Solder Attachment 2 Hole Flange Mount Stub Terminal, .481 inch Hole Spacing, Rated to 18GHz PE45343](#)

URL: <https://www.pasternack.com/bma-plug-slide-on-stub-terminal-connector-pe45343-p.aspx>

The information contained in this document is accurate to the best of our knowledge and representative of the part described herein. It may be necessary to make modifications to the part and/or the documentation of the part, in order to implement improvements. Pasternack reserves the right to make such changes as required. Unless otherwise stated, all specifications are nominal. Pasternack does not make any representation or warranty regarding the suitability of the part described herein for any particular purpose, and Pasternack does not assume any liability arising out of the use of any part or documentation.

PE45343 CAD Drawing

BMA Plug Slide-On Connector Solder Attachment 2 Hole Flange Mount
Stub Terminal, .481 inch Hole Spacing, Rated to 18GHz



STANDARD TOLERANCES

.X ±0.2
.XX ±0.1
.XXX ±0.05

*STANDARD TOLERANCES APPLY ONLY TO DIMENSIONS IN INCHES



PASTERNAK
THE ENGINEER'S RF SOURCE
Pasternack Enterprises, Inc.
P.O. Box 16759 | Irvine | CA | 92623
Phone: (949) 261-1920 | Fax: (949) 261-7451
Website: www.pasternack.com | E-Mail: sales@pasternack.com

DWG TITLE

PE45343

NOTES:
1. UNLESS OTHERWISE SPECIFIED ALL DIMENSIONS ARE NOMINAL.
2. ALL SPECIFICATIONS ARE SUBJECT TO CHANGE WITHOUT NOTICE AT ANY TIME.
3. DIMENSIONS ARE IN INCHES [mm].

CAGE CODE 53919

CAD FILE 021317

SCALE N/A

SIZE A

2233