



Antenna Operates From 4.4 GHz to 5 GHz with a Maximum 6 dBi Gain N Male Input Connector Rated

## TECHNICAL DATA SHEET

PE51135A

### Configuration

Design	Portable
Frequency Range	4.4 to 5 GHz
Polarization	Vertical
Interface 1	N Male

### Electrical Specifications

Description	Minimum	Typical	Maximum	Units
Impedance		50		Ohms
Gain			6	dBi
Horizontal Half Power Beam Width		30		Degrees
Vertical Half Power Beam Width		360		Degrees
Input Power			50	Watts
Input VSWR			2:1	

### Mechanical Specifications

Radome Material	Fiberglass
<b>Size</b>	
Length	10.85 in [275.59 mm]
Width	0.812 in [20.62 mm]
Weight	0.262 lbs [118.84 g]

### Environmental Specifications

**Compliance Certifications** (see [product page](#) for current document)

### Plotted and Other Data

Notes:

Click the following link (or enter part number in "SEARCH" on website) to obtain additional part information including price, inventory and certifications: [Antenna Operates From 4.4 GHz to 5 GHz with a Maximum 6 dBi Gain N Male Input Connector Rated PE51135A](#)

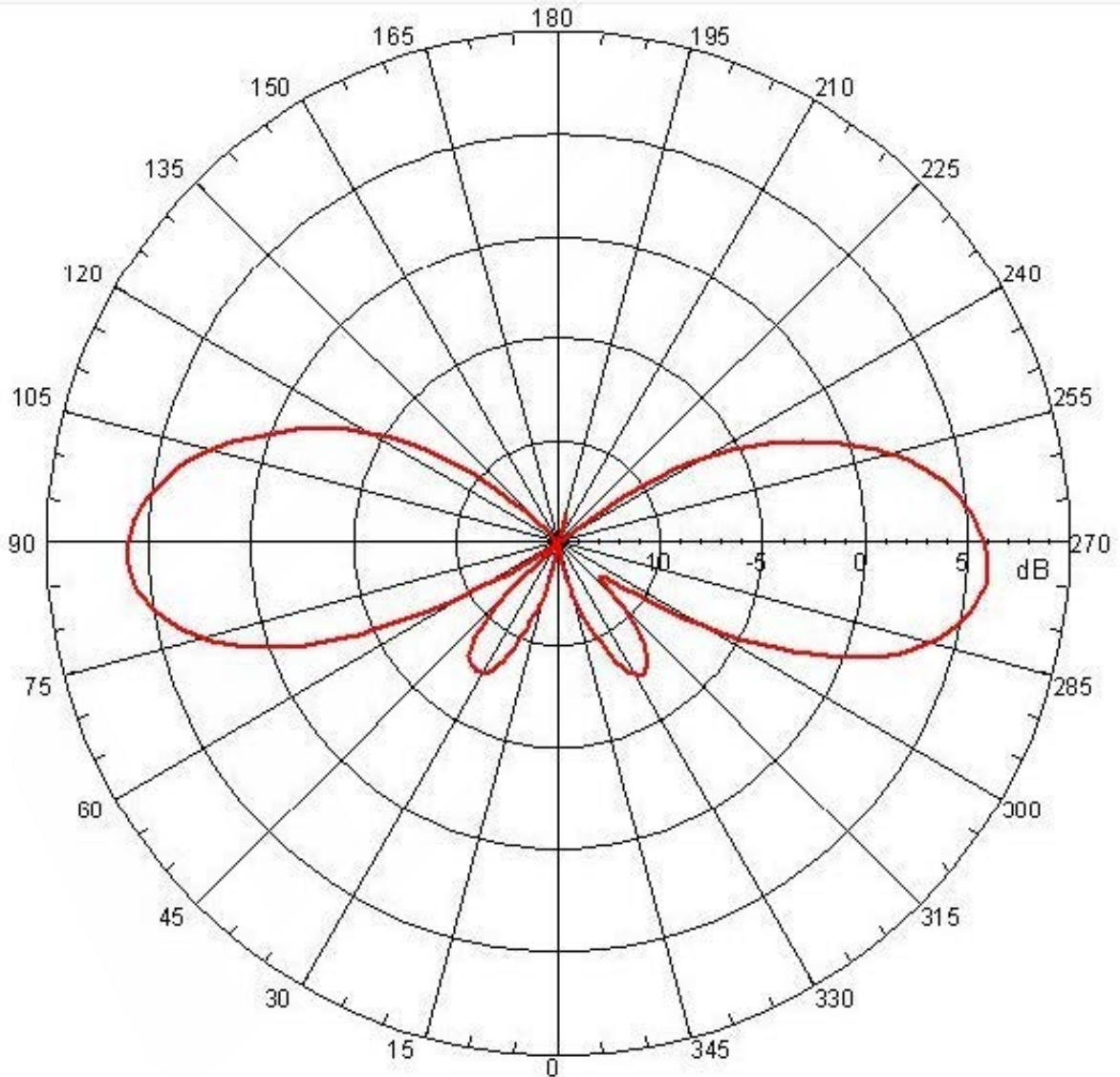


Antenna Operates From 4.4 GHz to 5 GHz with a  
Maximum 6 dBi Gain N Male Input Connector Rated

TECHNICAL DATA SHEET

PE51135A

Typical Radiation Pattern



Click the following link (or enter part number in "SEARCH" on website) to obtain additional part information including price, inventory and certifications: [Antenna Operates From 4.4 GHz to 5 GHz with a Maximum 6 dBi Gain N Male Input Connector Rated PE51135A](#)



Antenna Operates From 4.4 GHz to 5 GHz with a  
Maximum 6 dBi Gain N Male Input Connector Rated

TECHNICAL DATA SHEET

PE51135A

Antenna Operates From 4.4 GHz to 5 GHz with a Maximum 6 dBi Gain N Male Input Connector Rated from Pasternack Enterprises has same day shipment for domestic and International orders. Our RF, microwave and millimeter wave products maintain a 99.4% availability and are part of the broadest selection in the industry.

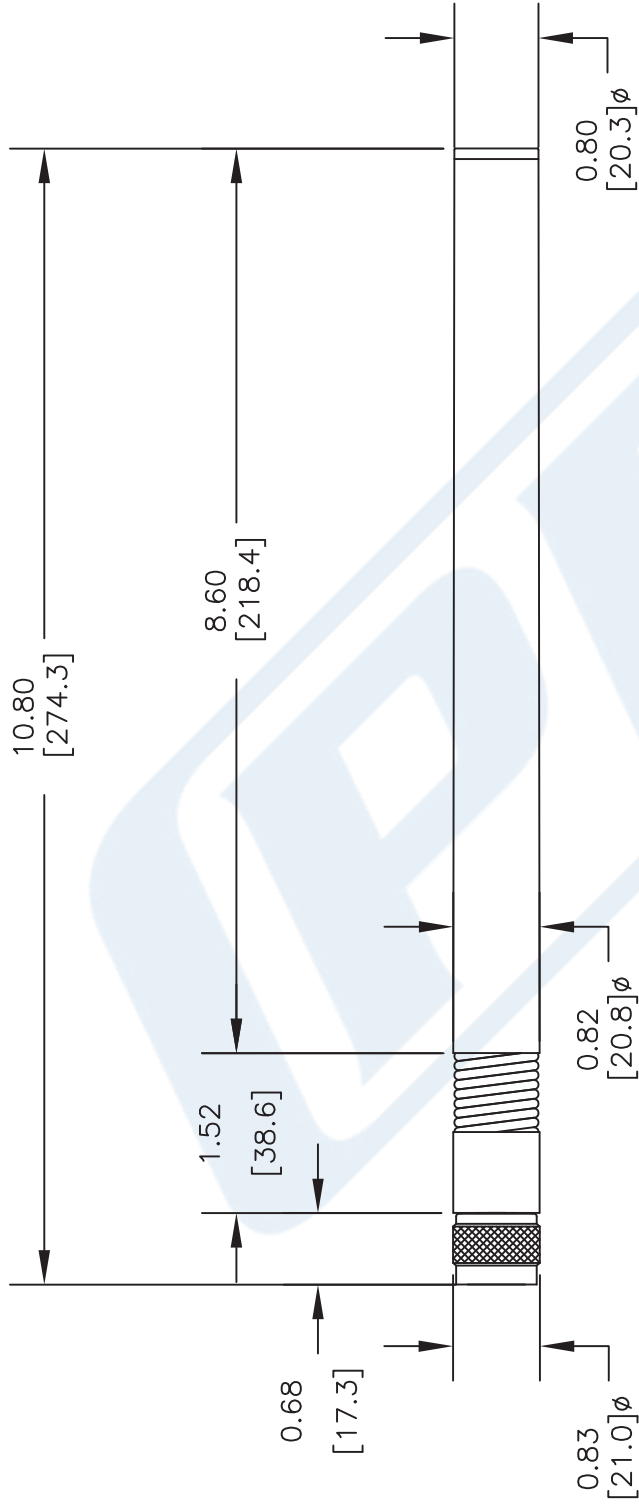
Click the following link (or enter part number in "SEARCH" on website) to obtain additional part information including price, inventory and certifications: [Antenna Operates From 4.4 GHz to 5 GHz with a Maximum 6 dBi Gain N Male Input Connector Rated PE51135A](https://www.pasternack.com/single-antenna-4.4-5-ghz-0-dbi-gain-n-pe51135a-p.aspx)

URL: <https://www.pasternack.com/single-antenna-4.4-5-ghz-0-dbi-gain-n-pe51135a-p.aspx>

The information contained in this document is accurate to the best of our knowledge and representative of the part described herein. It may be necessary to make modifications to the part and/or the documentation of the part, in order to implement improvements. Pasternack reserves the right to make such changes as required. Unless otherwise stated, all specifications are nominal. Pasternack does not make any representation or warranty regarding the suitability of the part described herein for any particular purpose, and Pasternack does not assume any liability arising out of the use of any part or documentation.

# PE51135A CAD Drawing

Antenna Operates From 4.4 GHz to 5 GHz with a Maximum  
6 dBi Gain N Male Input Connector Rated



DWG TITLE

**PE51135A**

NOTES:  
1. UNLESS OTHERWISE SPECIFIED ALL DIMENSIONS ARE NOMINAL.  
2. ALL SPECIFICATIONS ARE SUBJECT TO CHANGE WITHOUT NOTICE AT ANY TIME.  
3. DIMENSIONS ARE IN INCHES [mm].

CAGE CODE 53919

CAD FILE 031017

SCALE N/A

SIZE A

2233

**(PE) PASTERNAK®**  
THE ENGINEER'S RF SOURCE

Pasternack Enterprises, Inc.  
P.O. Box 16759 | Irvine | CA | 92623  
Phone: (949) 261-1920 | Fax: (949) 261-7451  
Website: www.pasternack.com | E-Mail: sales@pasternack.com