



75 Watts WR-28 Waveguide RF Load Up To 40 GHz

TECHNICAL DATA SHEET

PE6827

75 Watts WR-28 Waveguide RF Load Up To 40 GHz

Configuration

Connector	WR-28
Heat Sink	Aluminum

Electrical Specifications

Frequency Range, GHz	26.5 to 40
Impedance, Ohms	50
Maximum VSWR	1.1:1
Maximum Input Power, Watts	75

Mechanical Specifications

Size

Length, in [mm]	4 [101.6]
Width/Dia., in [mm]	2 [50.8]
Height, in [mm]	2 [50.8]
Color	Black

Connector

Type	WR-28
------	-------

Compliance Certifications (visit www.Pasternack.com for current document)

Plotted and Other Data

Notes: Values at 25 °C, sea level

75 Watts WR-28 Waveguide RF Load Up To 40 GHz from Pasternack Enterprises has same day shipment for domestic and International orders. Our RF, microwave and fiber optic products maintain a 99% availability and are part of the broadest selection in the industry.

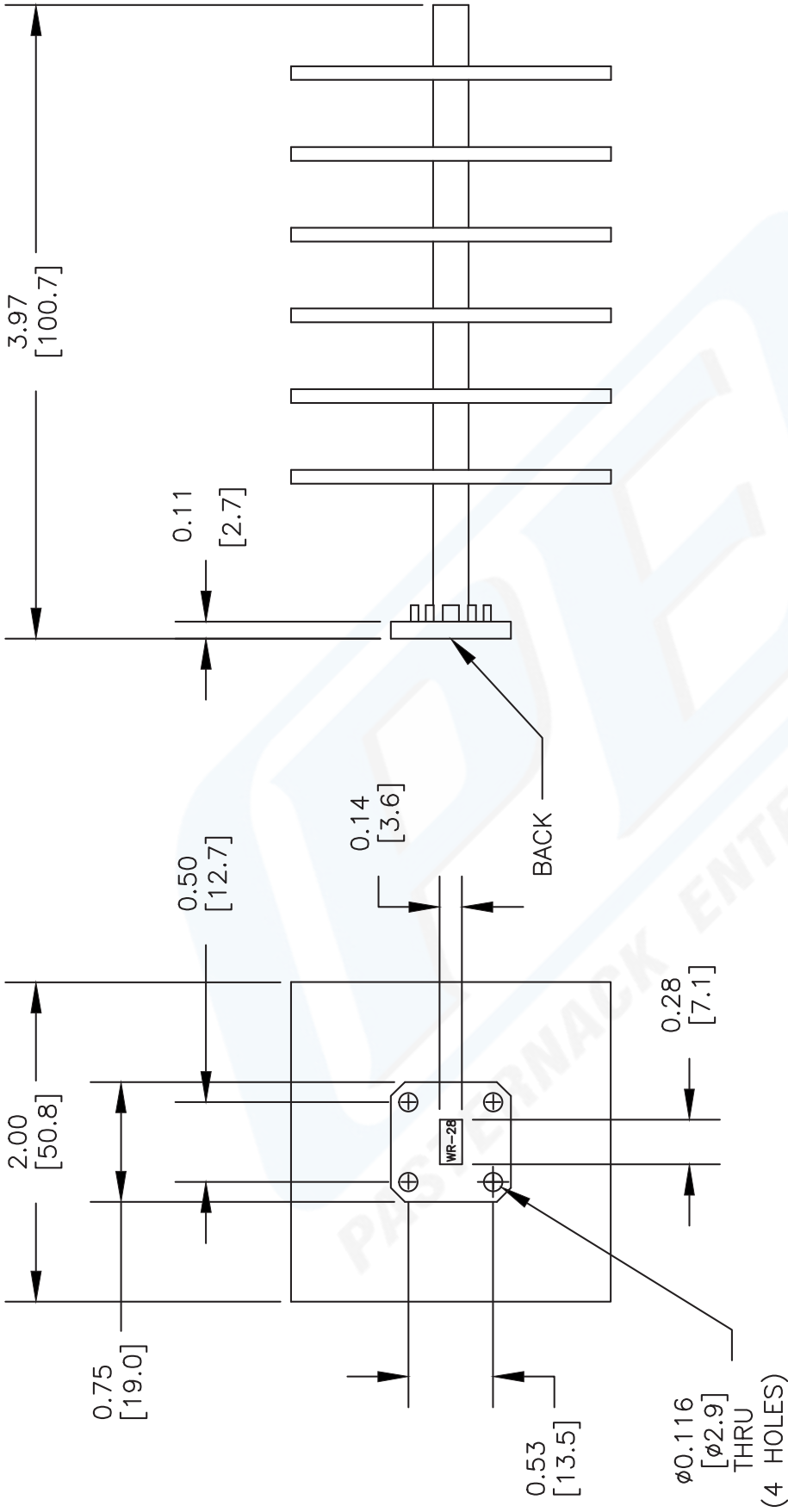
Click the following link (or enter part number in "SEARCH" on website) to obtain additional part information including price, inventory and certifications: [75 Watts WR-28 Waveguide RF Load Up To 40 GHz PE6827](http://www.pasternack.com/high-power-waveguide-termination-frequency-range-2650-4000-ghz-pe6827-p.aspx)

URL: <http://www.pasternack.com/high-power-waveguide-termination-frequency-range-2650-4000-ghz-pe6827-p.aspx>

The information contained in this document is accurate to the best of our knowledge and representative of the part described herein. It may be necessary to make modifications to the part and/or the documentation of the part, in order to implement improvements. Pasternack reserves the right to make such changes as required. Unless otherwise stated, all specifications are nominal.

PE6827 CAD Drawing

75 Watts WR-28 Waveguide RF Load Up To 40 GHz



DWG TITLE
PE6827

FSCM NO. 53919

PE PASTERNAK[®]
Pasternack Enterprises, Inc.
P.O. Box 16759 | Irvine | CA | 92623
Phone: (949) 261-1920 | Fax: (949) 261-7451
Website: www.pasternack.com | E-Mail: sales@pasternack.com

XXXX

SIZE A

SCALE N/A

CAD FILE 052504