



## 1 Watt RF Load Up to 10 GHz with SMC Plug

### RF Terminations Technical Data Sheet

PE6TR006

#### Features

- DC to 10 GHz Frequency Range
- VSWR 1.3:1 Max
- Max Power 1 Watts (CW)
- SMC Plug Coaxial Interface

#### Applications

- Wireless
- Radar Systems
- Commercial and Military Communication
- SatCom
- Test and Measurement

#### Description

RF termination (also called RF load or dummy load) PE6TR006 from Pasternack operates from DC to 10 GHz and handles up to 1 Watts (CW). This standard SMC plug termination (or load) is gold plated. PE6TR006 SMC load termination offers 1.3:1 max VSWR.

RF terminations / loads are critical passive components in many RF, microwave and millimeter wave systems where signal reflection from unused ports can reduce the signal integrity and can potentially damage the device. By terminating an unused port with a matched load (dummy load), the incident energy will be absorbed with minimal reflection. These radio frequency termination components are commonly used to terminate devices such as couplers, circulators, and switches. Loads / terminations are also widely used in measurement systems to ensure accurate results. Pasternack offers a large selection of in-stock RF, microwave and millimeter wave terminations up to 65 GHz with great performance over the entire operating range and with power handling capabilities up to 800 Watts (CW).

#### Electrical Specifications

Description	Minimum	Typical	Maximum	Units
Frequency Range	DC		10	GHz
Impedance		50		Ohms
VSWR			1.3:1	
Input Power (CW)			1	Watts

#### Mechanical Specifications

<b>Size</b>	
Length	0.504 in [12.8 mm]
Width	0.236 in [5.99 mm]
Weight	0.005 lbs [2.27 g]
<b>Configuration</b>	
Connector	SMC Plug

Click the following link (or enter part number in "SEARCH" on website) to obtain additional part information including price, inventory and certifications: [1 Watt RF Load Up to 10 GHz with SMC Plug PE6TR006](#)



## 1 Watt RF Load Up to 10 GHz with SMC Plug

### RF Terminations Technical Data Sheet

PE6TR006

#### Material Specifications

Description	Material	Plating
Connector 1 Contact	Beryllium Copper	Gold
Insulation	PTFE	
Body	Brass	Gold

#### Environmental Specifications

##### Temperature

Operating Range -45 to +120 deg C

**Compliance Certifications** (see [product page](#) for current document)

#### Plotted and Other Data

Notes:

1 Watt RF Load Up to 10 GHz with SMC Plug from Pasternack Enterprises has same day shipment for domestic and International orders. Our RF, microwave and millimeter wave products maintain a 99.4% availability and are part of the broadest selection in the industry.

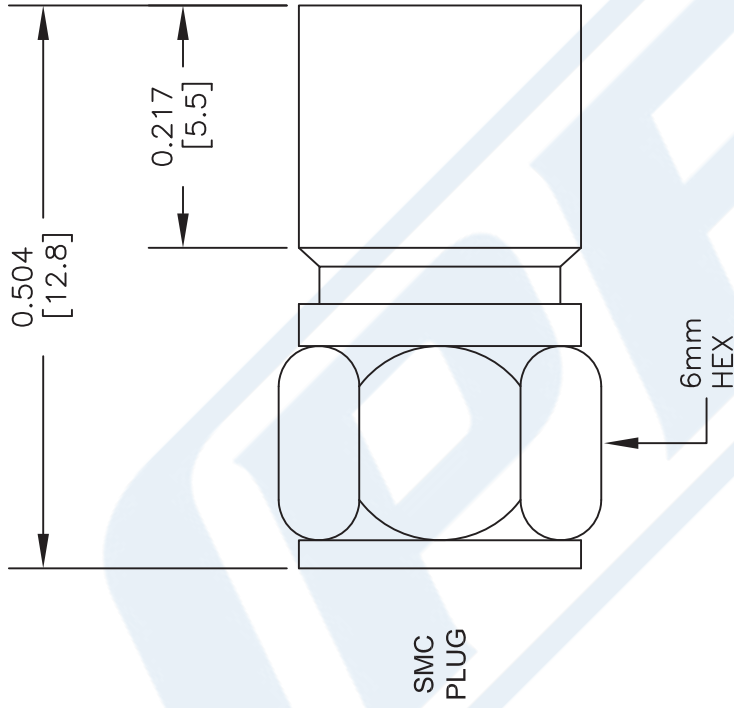
Click the following link (or enter part number in "SEARCH" on website) to obtain additional part information including price, inventory and certifications: [1 Watt RF Load Up to 10 GHz with SMC Plug PE6TR006](#)

URL: <https://www.pasternack.com/1-watts-smc-plug-rf-load-10-ghz-pe6tr006-p.aspx>

The information contained in this document is accurate to the best of our knowledge and representative of the part described herein. It may be necessary to make modifications to the part and/or the documentation of the part, in order to implement improvements. Pasternack reserves the right to make such changes as required. Unless otherwise stated, all specifications are nominal. Pasternack does not make any representation or warranty regarding the suitability of the part described herein for any particular purpose, and Pasternack does not assume any liability arising out of the use of any part or documentation.

# PE6TR006 CAD Drawing

1 Watt RF Load Up to 10 GHz with SMC Plug



STANDARD TOLERANCES	
.X	±0.2
.XX	±0.1
.XXX	±0.05

\*STANDARD TOLERANCES APPLY ONLY TO DIMENSIONS IN INCHES

**(PE) PASTERNAK®**  
 THE ENGINEER'S RF SOURCE  
 Pasternack Enterprises, Inc.  
 P.O. Box 16759 | Irvine | CA | 92623  
**Phone:** (949) 261-1920 | **Fax:** (949) 261-7451  
**Website:** www.pasternack.com | **E-Mail:** sales@pasternack.com

DWG TITLE  
**PE6TR006**

CAGE CODE **53919**

NOTES:  
 1. UNLESS OTHERWISE SPECIFIED ALL DIMENSIONS ARE NOMINAL.  
 2. ALL SPECIFICATIONS ARE SUBJECT TO CHANGE WITHOUT NOTICE AT ANY TIME.  
 3. DIMENSIONS ARE IN INCHES [mm].

CAD FILE 103116 SCALE N/A SIZE A 2233