



SP4T Electromechanical Relay Normally Open  
Switch DC to 12.4 GHz, 2M Lifecycles, N,  
50 Watts, 28V, TTL, Diodes, Solder Pins

## Electromechanical Relay Switches Technical Data Sheet

**PE71S6500**

### Features

- Single Pole Four Throw (SP4T) Electromechanical Relay Switch
- DC to 12 GHz Frequency Range
- Normally Open Actuator
- TTL Logic Control
- Suppression Diodes
- 2M Lifecycle Rating
- Insertion Loss 0.2 dB typ
- Isolation > 70 dB typ
- VSWR as low as 1.25:1 max
- +28 Volt DC Bias
- Solder Terminal Pins for DC Command Control
- N Type Female Connectors
- -25°C to +65°C Operating Temperature
- Up to 50 Watt Average Power Handling
- 50 Ohm Design
- Hot Switching Capability - Consult Factory
- S-Parameter Data available upon request
- Rugged Design meets Mil-STD-202 Test Conditions

### Applications

- Aerospace & Defense
- Test & Measurement
- Microwave Radio Systems
- Military & Commercial Communication Systems
- Research & Development
- SATCOM
- Wireless Communications
- Enterprise
- IoT

### Description

The PE71S6500 is a Single Pole Four Throw (SP4T) electromechanical relay switch that operates across a frequency range from DC to 12 GHz and can handle up to 50 Watts of average power in a break before make condition. The 50 Ohm design is rated for 2 million lifecycles and features a Normally Open Actuator where the selected position remains active with constant voltage, all positions are open when voltage is removed. Additional features include TTL control logic, and suppression diodes which limit voltage spikes or reverse current. Impressive typical performance includes 0.2 dB insertion loss and isolation greater than 70 dB. This switch requires +28Vdc bias voltage and operates over a temperature range of -25°C to +65°C. The rugged and compact package assembly supports N Type female connectors and Solder Pins for DC command control functions. And for highly reliable operation, the model is guaranteed to meet MIL-STD-202 environmental test conditions for shock and random vibration.

### Electrical Specifications (TA = +25°C, DC Voltage = +28 Vdc)

Switch Type	SP4T
Actuator Type	Normally Open
Actuator Options	TTL Logic
TTL Control	on: 2.4 to 5 Volts off: 0 to 0.8 Volts

Description	Minimum	Typical	Maximum	Units
Frequency Range	DC		12.4	GHz
Operating Voltage		+28		Volts
Actuating Set Current @ +28 Volts			280	mA
VSWR		1.4:1	1.7:1	
Insertion Loss		0.2	0.7	dB

Click the following link (or enter part number in "SEARCH" on website) to obtain additional part information including price, inventory and certifications: [SP4T Electromechanical Relay Normally Open Switch DC to 12.4 GHz, 2M Lifecycles, N, 50 Watts, 28V, TTL, Diodes, Solder Pins PE71S6500](#)



SP4T Electromechanical Relay Normally Open  
Switch DC to 12.4 GHz, 2M Lifecycles, N,  
50 Watts, 28V, TTL, Diodes, Solder Pins

## Electromechanical Relay Switches Technical Data

**PE71S6500**

Isolation	60	70		dB
Input Power (CW) (at 12.4 GHz)			50	Watts

### Performance by Frequency

Description	F1	F2	F3	F4	F5	Units
Frequency Range	DC to 1	1 to 4	4 to 8	8 to 12		GHz
VSWR, Max	1.25:1	1.4:1	1.45:1	1.7:1		
Insertion Loss, Max	0.3	0.4	0.4	0.7		dB
Isolation, Min	70	60	60	60		dB

### Mechanical Specifications

#### Size

Length	3.2 in [81.28 mm]
Width/Diameter	2.5 in [63.5 mm]
Height	2.5 in [63.5 mm]
Weight	0.1 lbs [45.36 g]

#### Connectors

RF Connector Type	N Female
-------------------	----------

### Environmental Specifications

#### Temperature

Operating Range	-25 to +65 deg C
Storage Range	-55 to +100 deg C

Shock	MIL-STD-202 Method 213, Condition D, 500G (non oper)
-------	--

Vibration	MIL-STD-202 Method 204, Condition D, 10G RMS (non oper)
-----------	---

**Compliance Certifications** (see [product page](#) for current document)

### Plotted and Other Data

Notes:

Click the following link (or enter part number in "SEARCH" on website) to obtain additional part information including price, inventory and certifications: [SP4T Electromechanical Relay Normally Open Switch DC to 12.4 GHz, 2M Lifecycles, N, 50 Watts, 28V, TTL, Diodes, Solder Pins PE71S6500](#)

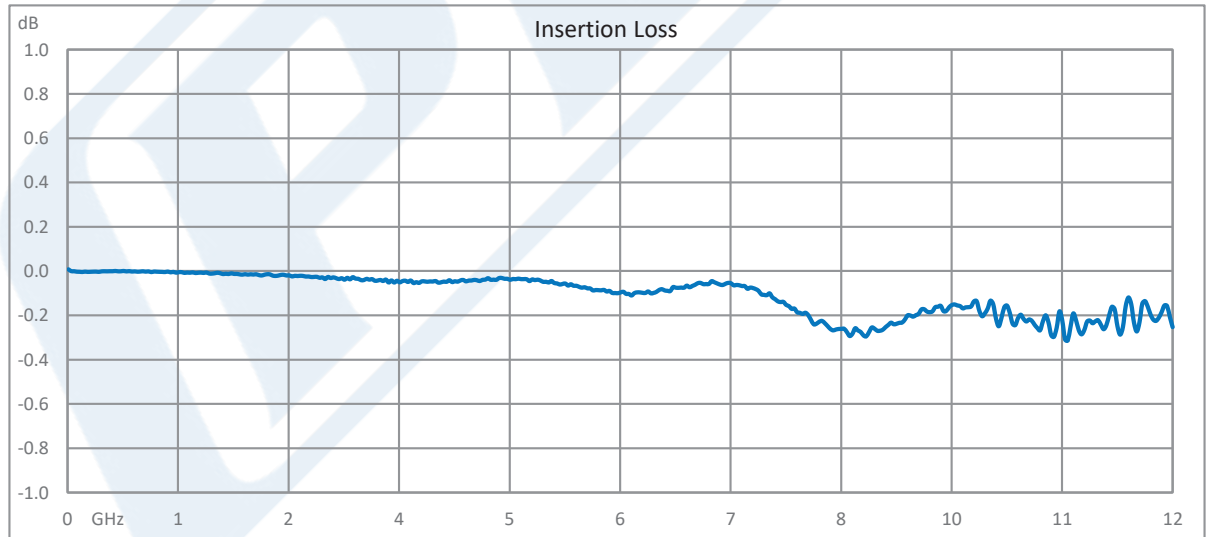
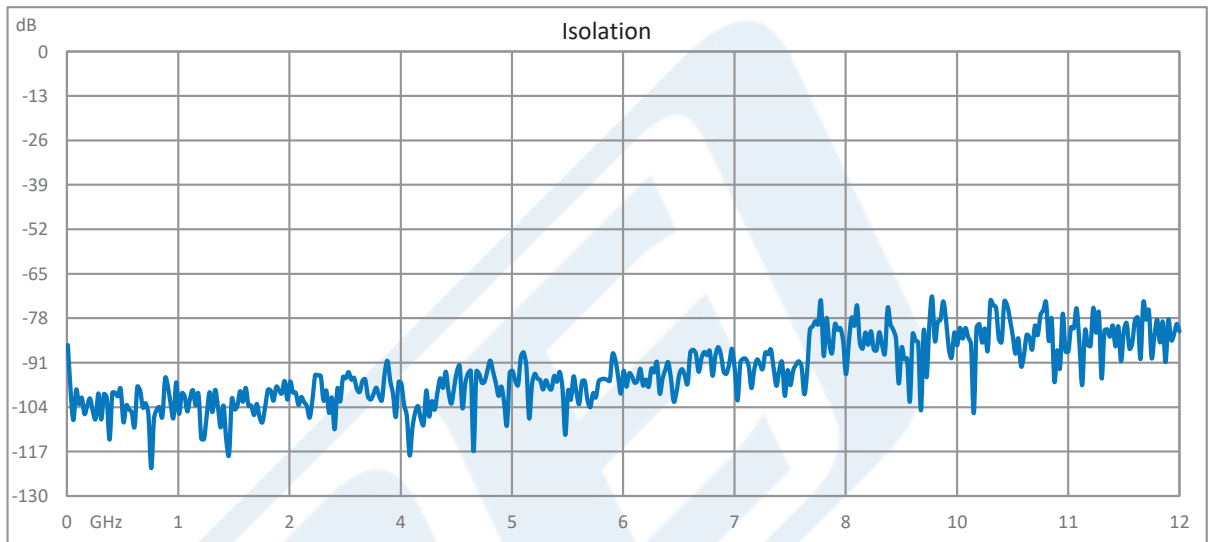


SP4T Electromechanical Relay Normally Open  
Switch DC to 12.4 GHz, 2M Lifecycles, N,  
50 Watts, 28V, TTL, Diodes, Solder Pins

**Electromechanical Relay Switches Technical Data**

**PE71S6500**

**Typical Performance Data**



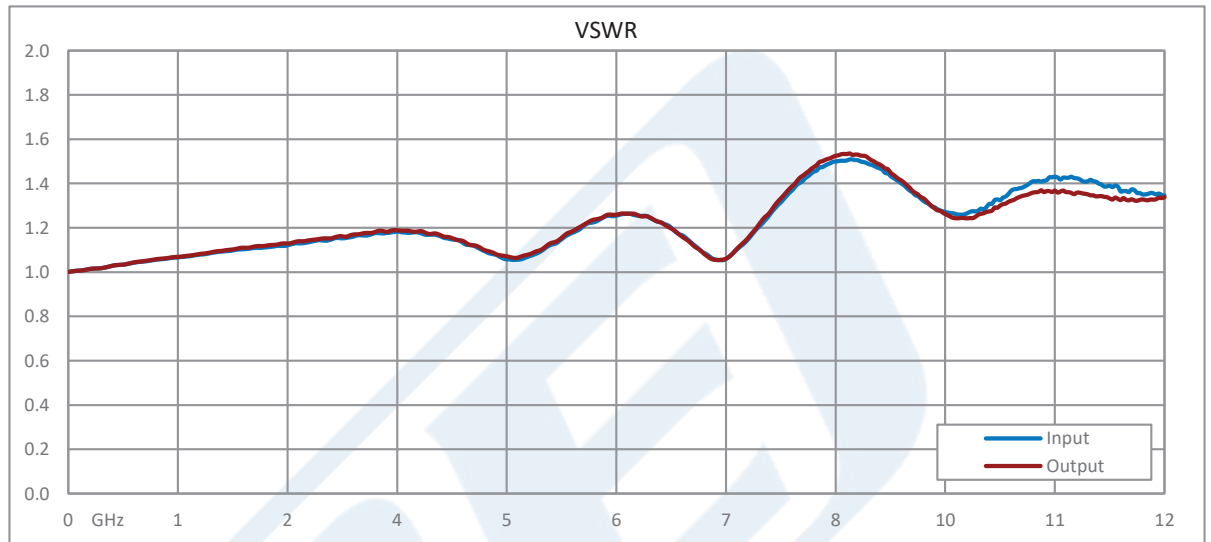
Click the following link (or enter part number in "SEARCH" on website) to obtain additional part information including price, inventory and certifications: [SP4T Electromechanical Relay Normally Open Switch DC to 12.4 GHz, 2M Lifecycles, N, 50 Watts, 28V, TTL, Diodes, Solder Pins PE71S6500](#)



SP4T Electromechanical Relay Normally Open  
Switch DC to 12.4 GHz, 2M Lifecycles, N,  
50 Watts, 28V, TTL, Diodes, Solder Pins

## Electromechanical Relay Switches Technical Data

**PE71S6500**



Click the following link (or enter part number in "SEARCH" on website) to obtain additional part information including price, inventory and certifications: [SP4T Electromechanical Relay Normally Open Switch DC to 12.4 GHz, 2M Lifecycles, N, 50 Watts, 28V, TTL, Diodes, Solder Pins PE71S6500](#)

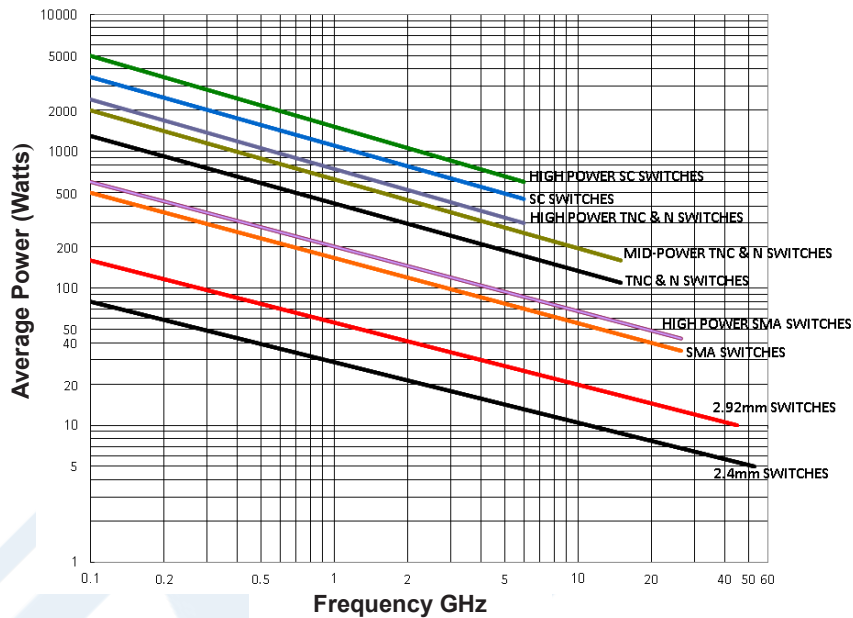


SP4T Electromechanical Relay Normally Open  
Switch DC to 12.4 GHz, 2M Lifecycles, N,  
50 Watts, 28V, TTL, Diodes, Solder Pins

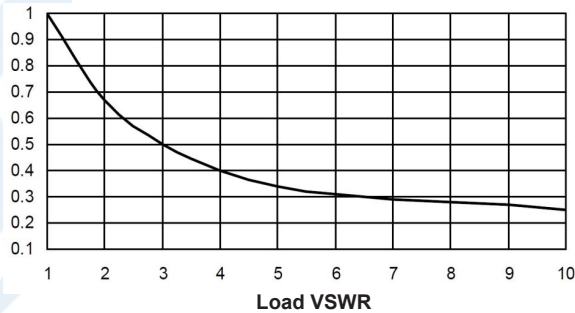
**Electromechanical Relay Switches Technical Data**

**PE71S6500**

**Power Handling vs. Frequency**



**Power Handling De-rating vs. Load VSWR**



Power Handling Chart and Derating Curves based on the following Test and Environmental Conditions:  
 Ambient temperature: 20-25°C  
 Altitude: Sea Level to 1,000 feet  
 Relative Humidity: 50-55%  
 Load VSWR: ≤ 1.20:1  
 Operation: Cold Switching

Click the following link (or enter part number in "SEARCH" on website) to obtain additional part information including price, inventory and certifications: [SP4T Electromechanical Relay Normally Open Switch DC to 12.4 GHz, 2M Lifecycles, N, 50 Watts, 28V, TTL, Diodes, Solder Pins PE71S6500](#)



SP4T Electromechanical Relay Normally Open  
Switch DC to 12.4 GHz, 2M Lifecycles, N,  
50 Watts, 28V, TTL, Diodes, Solder Pins

## Electromechanical Relay Switches Technical Data

**PE71S6500**

SP4T Electromechanical Relay Normally Open Switch DC to 12.4 GHz, 2M Lifecycles, N, 50 Watts, 28V, TTL, Diodes, Solder Pins from Pasternack Enterprises has same day shipment for domestic and International orders. Our RF, microwave and millimeter wave products maintain a 99.4% availability and are part of the broadest selection in the industry.

Click the following link (or enter part number in "SEARCH" on website) to obtain additional part information including price, inventory and certifications: [SP4T Electromechanical Relay Normally Open Switch DC to 12.4 GHz, 2M Lifecycles, N, 50 Watts, 28V, TTL, Diodes, Solder Pins PE71S6500](https://www.pasternack.com/sp4t-electromechanical-relay-normally-open-switch-12.4-ghz-50w-28v-ttl-n-pe71s6500-p.aspx)

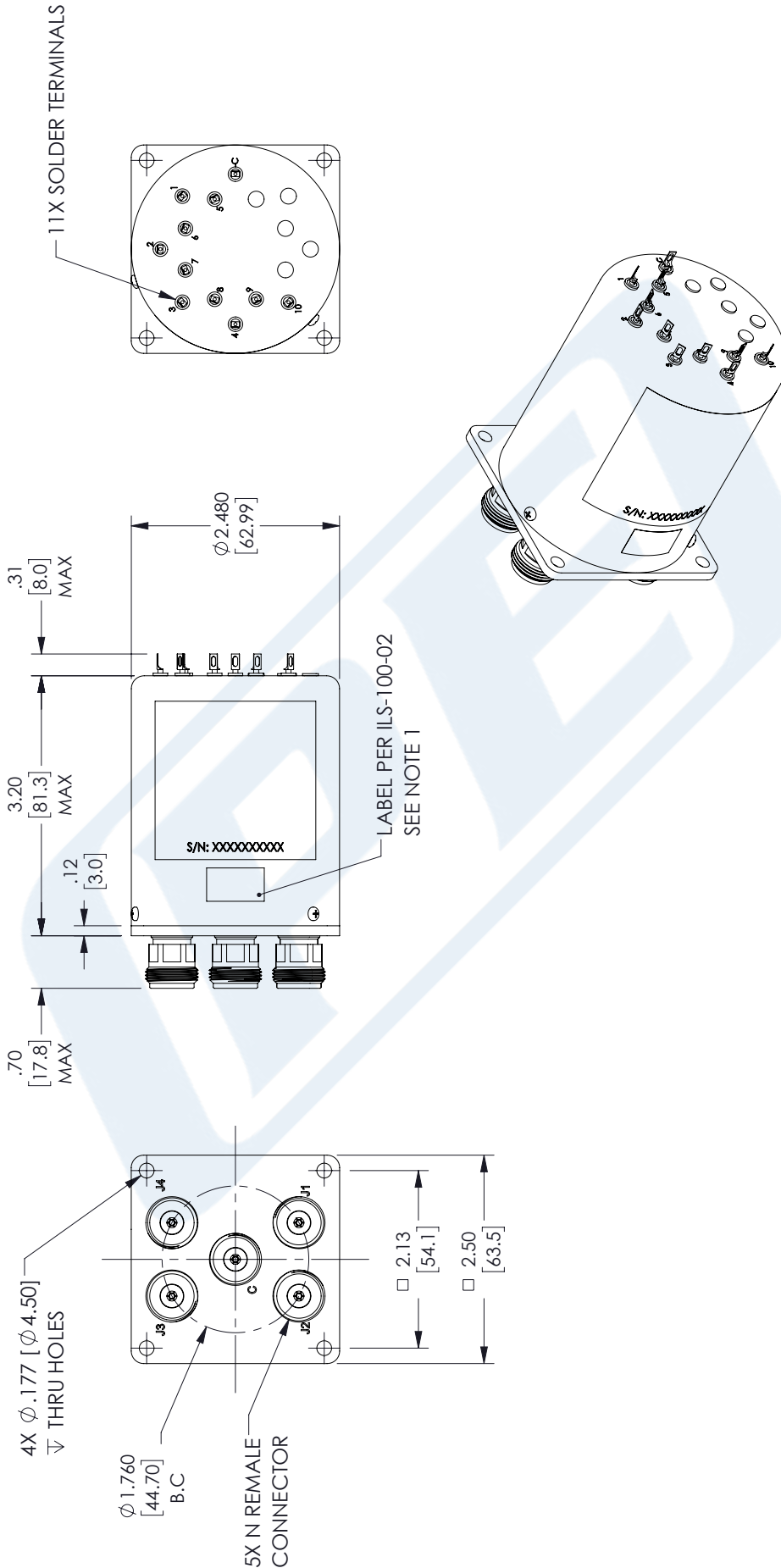
URL: <https://www.pasternack.com/sp4t-electromechanical-relay-normally-open-switch-12.4-ghz-50w-28v-ttl-n-pe71s6500-p.aspx>

The information contained in this document is accurate to the best of our knowledge and representative of the part described herein. It may be necessary to make modifications to the part and/or the documentation of the part, in order to implement improvements. Pasternack reserves the right to make such changes as required. Unless otherwise stated, all specifications are nominal. Pasternack does not make any representation or warranty regarding the suitability of the part described herein for any particular purpose, and Pasternack does not assume any liability arising out of the use of any part or documentation.

# PE71S6500 CAD Drawing

SP4T Electromechanical Relay Normally Open Switch DC to 12.4 GHz,  
2M Lifecycles, N, 50 Watts, 28V, TTL, Diodes, Solder Pins

REVISIONS			
REV.	DESCRIPTION	DATE	APPROVED
A	INITIAL RELEASE	05/17/2022	T. GALLA



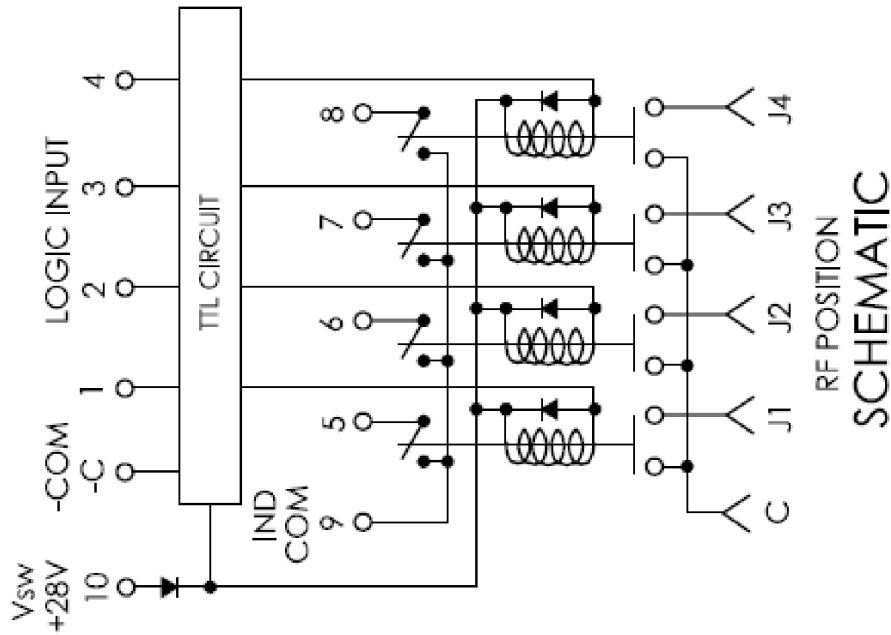
<p>THIRD-ANGLE PROJECTION</p> <p>THE INFORMATION AND DESIGN IN THIS DOCUMENT IS THE PROPERTY OF PASTERNAK CORPORATION ALL RIGHTS RESERVED.</p> <p>SHEET 1 OF 2</p> <p>SCALE N/A</p>	<p><b>PE PASTERNAK</b> an INFINITE brand</p> <p>Pasternack Enterprises, Inc. P. O. Box 16759, Irvine, CA 92623. Phone: 1.949.261.1920   1.866.727.8376 Fax: 1.949.261.7451 Website: www.pasternack.com E-mail: sales@pasternack.com</p>	<p>ITEM NO. PE71S6500</p>																										
		<p>SCALE N/A</p>																										
<p>UNLESS OTHERWISE SPECIFIED LEADING DIMENSIONS ARE INCHES DIMENSIONS IN [ ] ARE MILLIMETERS</p> <p>TOLERANCES:</p> <table border="0"> <tr> <td>.X = ±.2</td> <td>[5.08]</td> <td>FRACTIONS</td> <td></td> </tr> <tr> <td>.XX = ±.02</td> <td>[.51]</td> <td></td> <td>± 1/32</td> </tr> <tr> <td>.XXX = ±.005</td> <td>[.13]</td> <td>ANGLES ± 1°</td> <td></td> </tr> </table> <p>CABLE LENGTH (L) TOLERANCES:</p> <table border="0"> <tr> <td>L ≤ 12</td> <td>[305]</td> <td>= +1 [25] / -0</td> </tr> <tr> <td>12 [305] &lt; L ≤ 60</td> <td>[1524]</td> <td>= +2 [51] / -0</td> </tr> <tr> <td>60 [1524] &lt; L ≤ 120</td> <td>[3048]</td> <td>= +4 [102] / -0</td> </tr> <tr> <td>120 [3048] &lt; L ≤ 300</td> <td>[7620]</td> <td>= +6 [152] / -0</td> </tr> <tr> <td>300 [7620] &lt; L</td> <td></td> <td>= +5%L / -0</td> </tr> </table> <p>ALL DIMENSIONS SHOWN ARE FOR REFERENCE ONLY.</p>	.X = ±.2	[5.08]	FRACTIONS		.XX = ±.02	[.51]		± 1/32	.XXX = ±.005	[.13]	ANGLES ± 1°		L ≤ 12	[305]	= +1 [25] / -0	12 [305] < L ≤ 60	[1524]	= +2 [51] / -0	60 [1524] < L ≤ 120	[3048]	= +4 [102] / -0	120 [3048] < L ≤ 300	[7620]	= +6 [152] / -0	300 [7620] < L		= +5%L / -0	<p>REV A</p>
.X = ±.2	[5.08]	FRACTIONS																										
.XX = ±.02	[.51]		± 1/32																									
.XXX = ±.005	[.13]	ANGLES ± 1°																										
L ≤ 12	[305]	= +1 [25] / -0																										
12 [305] < L ≤ 60	[1524]	= +2 [51] / -0																										
60 [1524] < L ≤ 120	[3048]	= +4 [102] / -0																										
120 [3048] < L ≤ 300	[7620]	= +6 [152] / -0																										
300 [7620] < L		= +5%L / -0																										

NOTES:  
1. LABEL PER ILS-100-02. FOR INTERNAL REFERENCE ONLY.  
LABEL LOCATION FOR REFERENCE ONLY.

THESE COMMODITIES, TECHNOLOGY OR SOFTWARE WERE EXPORTED FROM THE UNITED STATES IN ACCORDANCE WITH THE EXPORT ADMINISTRATION REGULATIONS. DIVERSION CONTRARY TO U.S. LAW PROHIBITED.

# PE71S6500 CAD Drawing

SP4T Electromechanical Relay Normally Open Switch DC to 12.4 GHz,  
2M Lifecycles, N, 50 Watts, 28V, TTL, Diodes, Solder Pins



TRUTH TABLE/PIN ASSIGNMENT :  
PIN ASSIGNMENT

TERMINALS LOGIC INPUT PINS	RF PATH				INDICATOR			
	J1	J2	J3	J4	5	6	7	8
1 ("1")	ON	OFF	OFF	OFF	ON	OFF	OFF	OFF
2 ("1")	OFF	ON	OFF	OFF	OFF	ON	OFF	OFF
3 ("1")	OFF	OFF	ON	OFF	OFF	OFF	ON	OFF
4 ("1")	OFF	OFF	OFF	ON	OFF	OFF	OFF	ON

PIN -C. -COM  
PIN 10. V<sub>sw</sub> +28V  
PIN 9. IND COM

UNLESS OTHERWISE SPECIFIED  
LEADING DIMENSIONS ARE INCHES  
DIMENSIONS IN [ ] ARE MILLIMETERS

TOLERANCES:  
 .X = ±.2 [5.08] FRACTIONS  
 .XX = ±.02 [.51] ±.1/32  
 .XXX = ±.005 [.13] ANGLES ± 1°  
 CABLE LENGTH (L) TOLERANCES:  
 L ≤ 12 [305] = ±1 [25] / -0  
 12 [305] < L ≤ 60 [1524] = +2 [51] / -0  
 60 [1524] < L ≤ 120 [3048] = +4 [102] / -0  
 120 [3048] < L ≤ 300 [7620] = +6 [152] / -0  
 300 [7620] < L = +5%L / -0  
 ALL DIMENSIONS SHOWN  
 ARE FOR REFERENCE ONLY.



THE INFORMATION AND  
DESIGN IN THIS DOCUMENT  
IS THE PROPERTY OF  
PASTERNAK CORPORATION  
ALL RIGHTS RESERVED.  
SHEET 2 OF 2  
SCALE N/A  
REV A

**PE PASTERNAK**  
an INFINITI brand

Pasternack Enterprises, Inc.  
P. O. Box 16759, Irvine, CA 92623.  
Phone: 1.949.261.1920 | 1.866.727.8376  
Fax: 1.949.261.7451  
Website: www.pasternack.com  
E-mail: sales@pasternack.com

ITEM NO. PE71S6500  
DRAWN BY KGLEBOVA  
SIZE A CAGE CODE 53919

THESE COMMODITIES, TECHNOLOGY OR SOFTWARE WERE EXPORTED FROM THE UNITED STATES IN ACCORDANCE WITH THE EXPORT ADMINISTRATION REGULATIONS. DIVERSION CONTRARY TO U.S. LAW PROHIBITED.