



SP4T Electromechanical Relay Normally Open  
Switch, Terminated, DC to 26.5 GHz, 2M  
Lifecycles, 20W, 12V, SMA, Solder Pins

## Electromechanical Relay Switches Technical Data Sheet

**PE71S6513**

### Features

- Single Pole Four Throw (SP4T) Electromechanical Relay Switch
- DC to 26.5 GHz Frequency Range
- Normally Open Actuator
- 2M Lifecycle Rating
- Insertion Loss 0.5 dB typ
- Isolation > 70 dB typ
- VSWR as low as 1.25:1 max
- +12 Volt DC Bias
- Terminal Solder Pins for DC Control
- SMA Female Connectors
- -25°C to +65°C Operating Temperature
- Up to 20 Watt Average Power Handling
- 50 Ohm Design
- Hot Switching Capability - Consult Factory
- S-Parameter Data available upon request
- Rugged Design meets Mil-STD-202 Test Conditions

### Applications

- Aerospace & Defense
- Test & Measurement
- Microwave Radio Systems
- Military & Commercial Communication Systems
- Research & Development
- SATCOM
- Wireless Communications
- Enterprise
- IoT

### Description

The PE71S6513 is a Single Pole Four Throw (SP4T) electromechanical relay switch that operates across a wide frequency range from DC to 26.5 GHz and can handle up to 20W of CW input power in a break before make condition. The 50 Ohm design is rated for 2 million lifecycles and features a Normally Open Actuator where the selected position remains active with constant voltage, all positions are open when voltage is removed. The output ports are terminated in 50 ohms when switched in the isolation (off) state. Impressive typical performance includes 0.5 dB insertion loss and isolation greater than 70 dB. This switch requires +12Vdc bias voltage and operates over a temperature range of -25°C to +65°C. The rugged and compact package assembly supports SMA female connectors and Solder Pins for DC control. And for highly reliable operation, the model is guaranteed to meet MIL-STD-202 environmental test conditions for shock and random vibration.

### Electrical Specifications (TA = +25°C, DC Voltage = +12 Vdc)

Switch Type SP4T  
Actuator Type Normally Open

Description	Minimum	Typical	Maximum	Units
Frequency Range	DC		26.5	GHz
Operating Voltage		+12		Volts
Actuating Set Current @ +12 Volts			420	mA
VSWR		1.3:1	1.8:1	
Insertion Loss		0.5	0.8	dB
Isolation	50	70		dB
Input Power (CW) (at 26.5 GHz)			20	Watts

Click the following link (or enter part number in "SEARCH" on website) to obtain additional part information including price, inventory and certifications: [SP4T Electromechanical Relay Normally Open Switch, Terminated, DC to 26.5 GHz, 2M Lifecycles, 20W, 12V, SMA, Solder Pins PE71S6513](#)



SP4T Electromechanical Relay Normally Open  
Switch, Terminated, DC to 26.5 GHz, 2M  
Lifecycles, 20W, 12V, SMA, Solder Pins

## Electromechanical Relay Switches Technical Data

**PE71S6513**

### Performance by Frequency

Description	F1	F2	F3	F4	F5	Units
Frequency Range	DC to 6	6 to 12	12 to 18	18 to 26.5		GHz
VSWR, Max	1.25:1	1.4:1	1.5:1	1.8:1		
Insertion Loss, Max	0.2	0.4	0.5	0.8		dB
Isolation, Min	70	60	60	50		dB

### Mechanical Specifications

#### Size

Length	2.52 in [64.01 mm]
Width/Diameter	2.25 in [57.15 mm]
Height	2.25 in [57.15 mm]
Weight	0.35 lbs [158.76 g]

#### Connectors

RF Connector Type	SMA Female
-------------------	------------

### Environmental Specifications

#### Temperature

Operating Range	-25 to +65 deg C
Storage Range	-55 to +100 deg C

Shock	MIL-STD-202 Method 213, Condition D, 500G (non oper)
-------	--

Vibration	MIL-STD-202 Method 204, Condition D, 10G RMS (non oper)
-----------	---

**Compliance Certifications** (see [product page](#) for current document)

### Plotted and Other Data

Notes:

Click the following link (or enter part number in "SEARCH" on website) to obtain additional part information including price, inventory and certifications: [SP4T Electromechanical Relay Normally Open Switch, Terminated, DC to 26.5 GHz, 2M Lifecycles, 20W, 12V, SMA, Solder Pins PE71S6513](#)

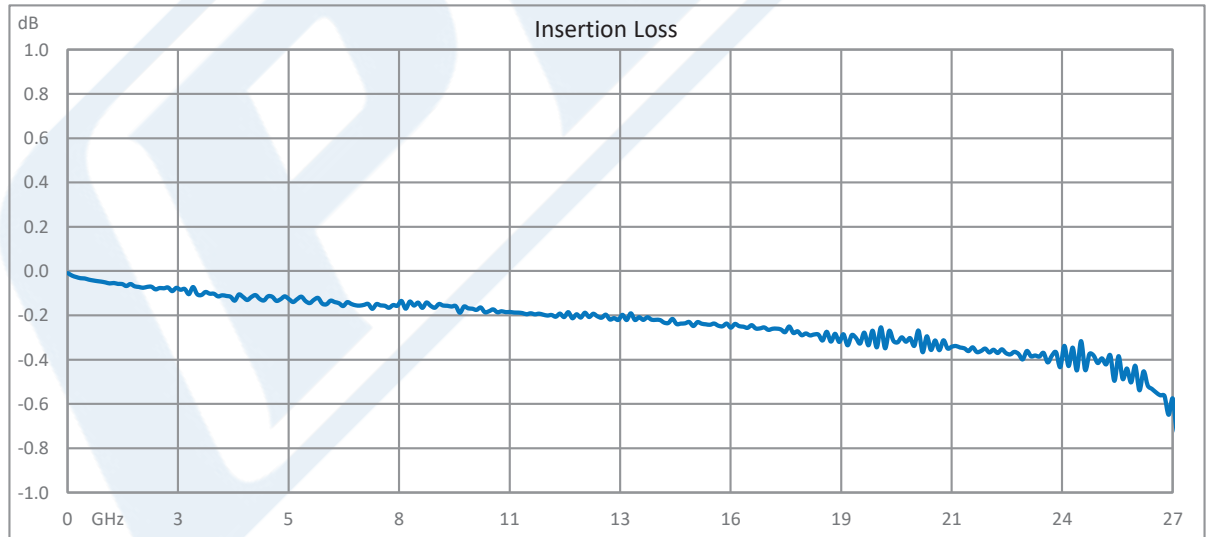
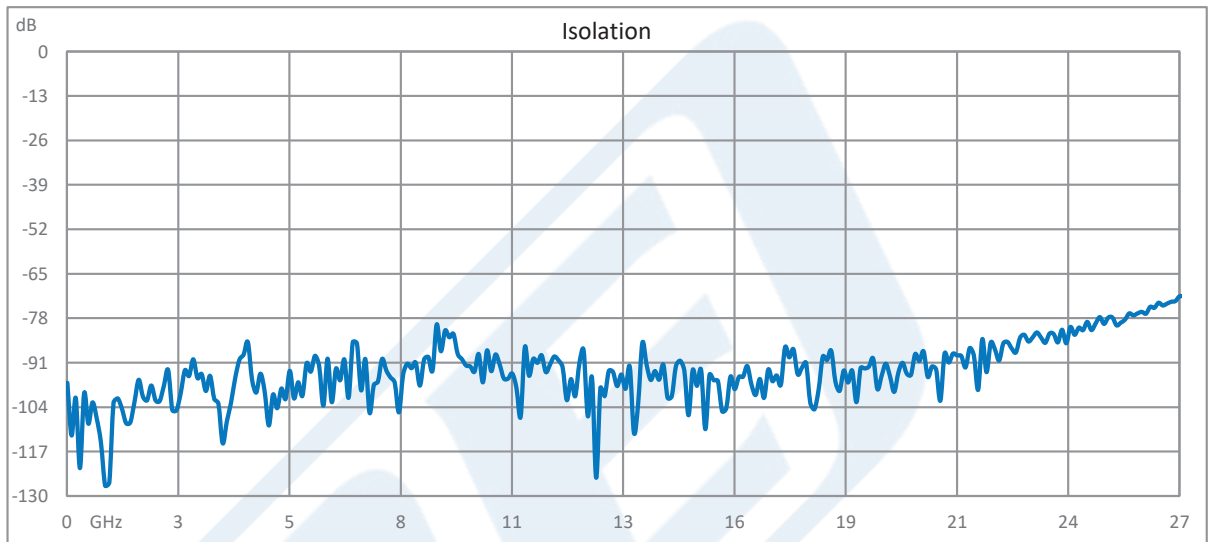


SP4T Electromechanical Relay Normally Open  
Switch, Terminated, DC to 26.5 GHz, 2M  
Lifecycles, 20W, 12V, SMA, Solder Pins

## Electromechanical Relay Switches Technical Data

**PE71S6513**

### Typical Performance Data



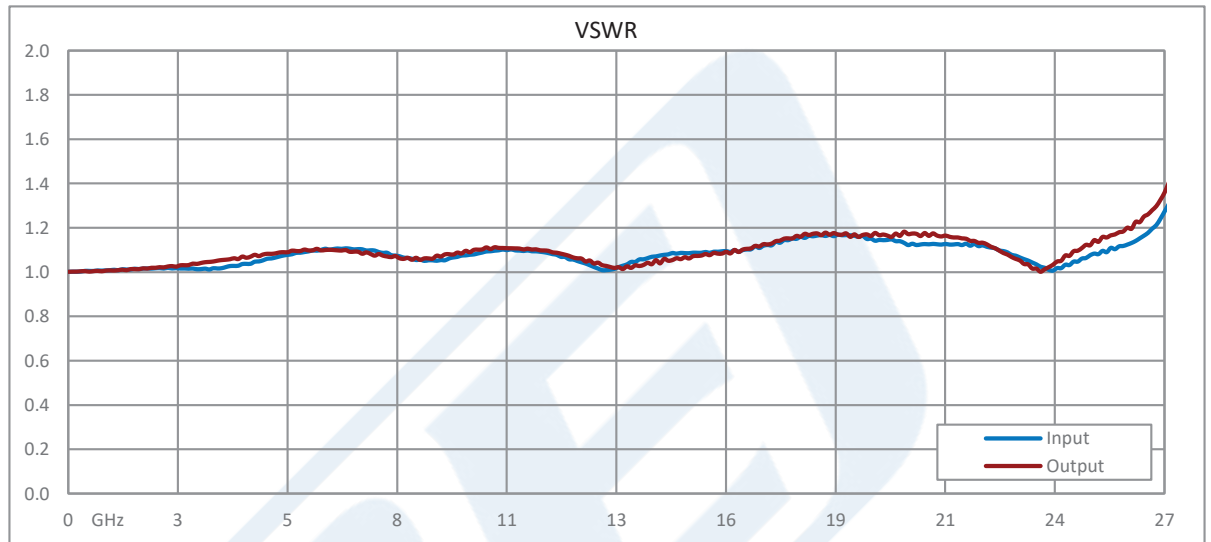
Click the following link (or enter part number in "SEARCH" on website) to obtain additional part information including price, inventory and certifications: [SP4T Electromechanical Relay Normally Open Switch, Terminated, DC to 26.5 GHz, 2M Lifecycles, 20W, 12V, SMA, Solder Pins PE71S6513](#)



SP4T Electromechanical Relay Normally Open  
Switch, Terminated, DC to 26.5 GHz, 2M  
Lifecycles, 20W, 12V, SMA, Solder Pins

## Electromechanical Relay Switches Technical Data

**PE71S6513**



Click the following link (or enter part number in "SEARCH" on website) to obtain additional part information including price, inventory and certifications: [SP4T Electromechanical Relay Normally Open Switch, Terminated, DC to 26.5 GHz, 2M Lifecycles, 20W, 12V, SMA, Solder Pins PE71S6513](#)

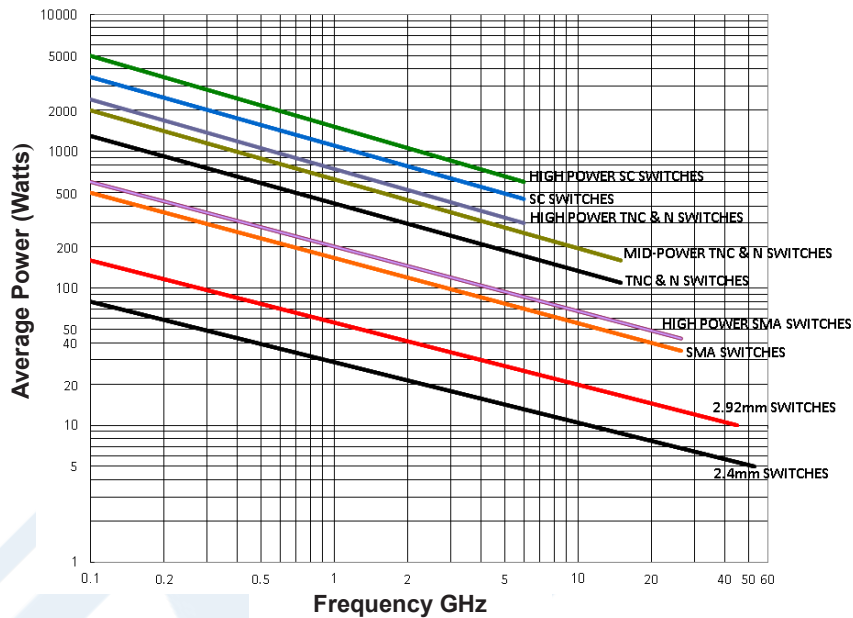


SP4T Electromechanical Relay Normally Open  
Switch, Terminated, DC to 26.5 GHz, 2M  
Lifecycles, 20W, 12V, SMA, Solder Pins

**Electromechanical Relay Switches Technical Data**

**PE71S6513**

**Power Handling vs. Frequency**



**Power Handling De-rating vs. Load VSWR**



Power Handling Chart and Derating Curves based on the following Test and Environmental Conditions:  
Ambient temperature: 20-25°C  
Altitude: Sea Level to 1,000 feet  
Relative Humidity: 50-55%  
Load VSWR: ≤ 1.20:1  
Operation: Cold Switching

Click the following link (or enter part number in "SEARCH" on website) to obtain additional part information including price, inventory and certifications: [SP4T Electromechanical Relay Normally Open Switch, Terminated, DC to 26.5 GHz, 2M Lifecycles, 20W, 12V, SMA, Solder Pins PE71S6513](#)



SP4T Electromechanical Relay Normally Open  
Switch, Terminated, DC to 26.5 GHz, 2M  
Lifecycles, 20W, 12V, SMA, Solder Pins

## Electromechanical Relay Switches Technical Data

**PE71S6513**

SP4T Electromechanical Relay Normally Open Switch, Terminated, DC to 26.5 GHz, 2M Lifecycles, 20W, 12V, SMA, Solder Pins from Pasternack Enterprises has same day shipment for domestic and International orders. Our RF, microwave and millimeter wave products maintain a 99.4% availability and are part of the broadest selection in the industry.

Click the following link (or enter part number in "SEARCH" on website) to obtain additional part information including price, inventory and certifications: [SP4T Electromechanical Relay Normally Open Switch, Terminated, DC to 26.5 GHz, 2M Lifecycles, 20W, 12V, SMA, Solder Pins PE71S6513](https://www.pasternack.com/sp4t-electromechanical-relay-normally-open-switch-26.5-ghz-20w-12v-sma-pe71s6513-p.aspx)

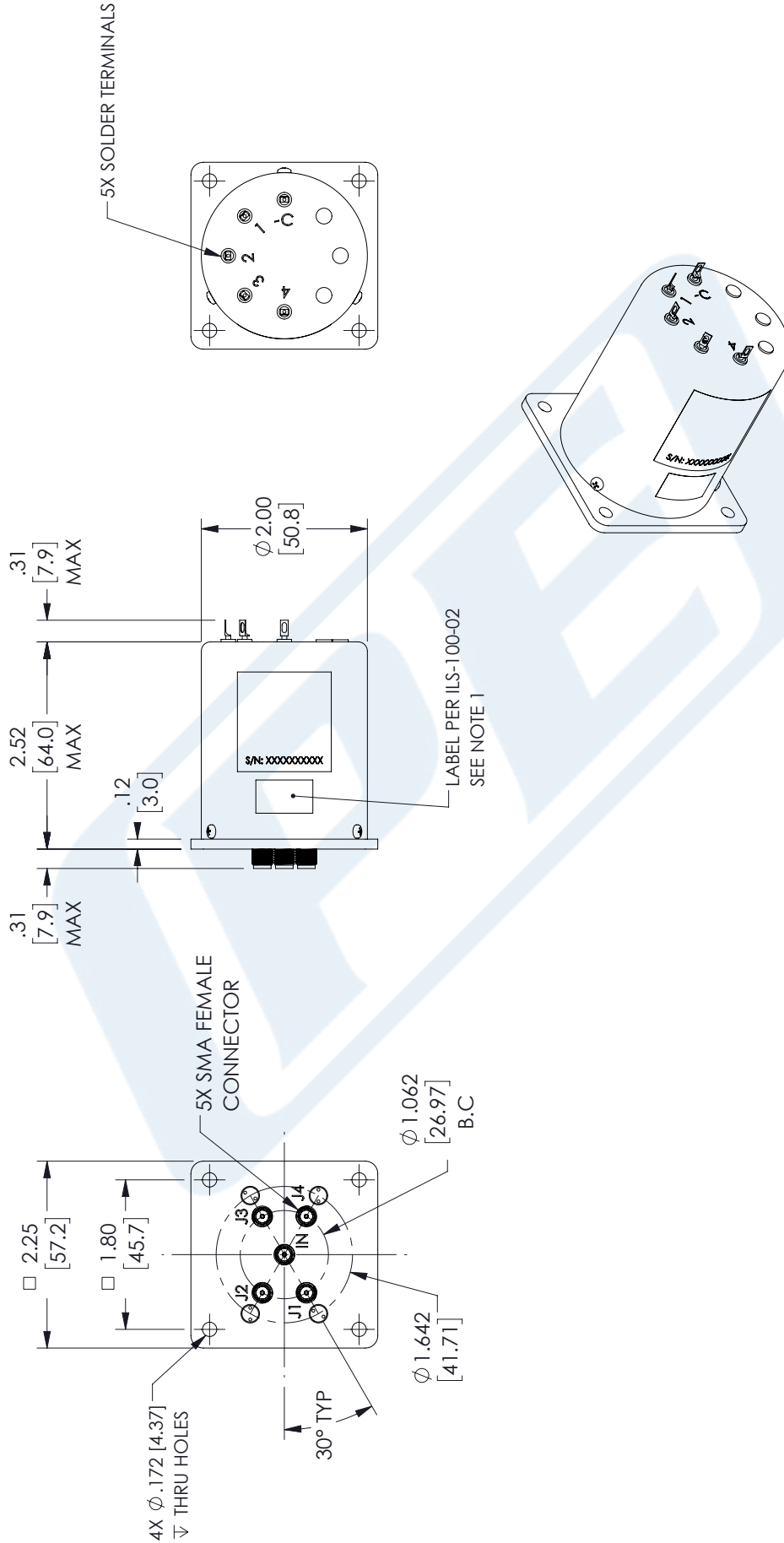
URL: <https://www.pasternack.com/sp4t-electromechanical-relay-normally-open-switch-26.5-ghz-20w-12v-sma-pe71s6513-p.aspx>

The information contained in this document is accurate to the best of our knowledge and representative of the part described herein. It may be necessary to make modifications to the part and/or the documentation of the part, in order to implement improvements. Pasternack reserves the right to make such changes as required. Unless otherwise stated, all specifications are nominal. Pasternack does not make any representation or warranty regarding the suitability of the part described herein for any particular purpose, and Pasternack does not assume any liability arising out of the use of any part or documentation.

# PE71S6513 CAD Drawing

SP4T Electromechanical Relay Normally Open Switch, Terminated,  
DC to 26.5 GHz, 2M Lifecycles, 20W, 12V, SMA, Solder Pins

REVISIONS			
REV.	DESCRIPTION	DATE	APPROVED
A	INITIAL RELEASE	05/17/2022	T. GALLA



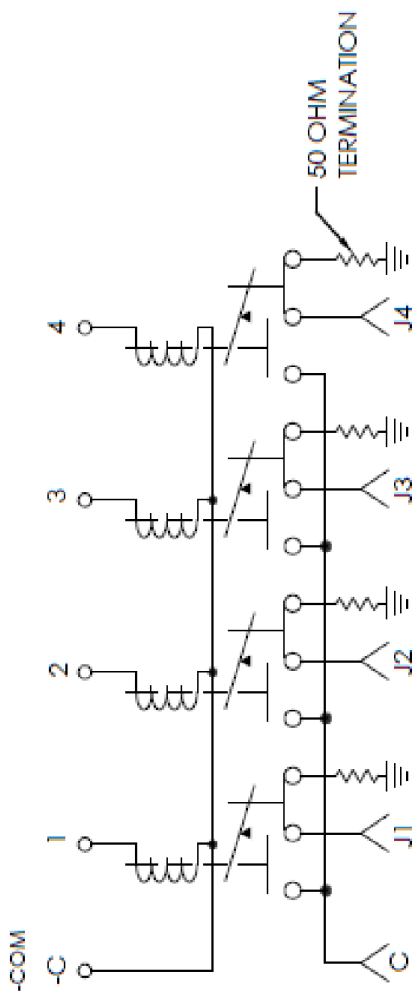
<p>UNLESS OTHERWISE SPECIFIED LEADING DIMENSIONS ARE INCHES DIMENSIONS IN [ ] ARE MILLIMETERS</p> <p>TOLERANCES:</p> <table border="0"> <tr> <td>.X = ±.2 [5.08]</td> <td>FRACTIONS</td> </tr> <tr> <td>.XX = ±.02 [ .51]</td> <td>±.1/32</td> </tr> <tr> <td>.XXX = ±.005 [ .13]</td> <td>ANGLES ± 1°</td> </tr> </table> <p>CABLE LENGTH (L) TOLERANCES:</p> <table border="0"> <tr> <td>L ≤ 12 [305]</td> <td>= +1 [25] / -0</td> </tr> <tr> <td>12 [305] &lt; L ≤ 60 [1524]</td> <td>= +2 [51] / -0</td> </tr> <tr> <td>60 [1524] &lt; L ≤ 120 [3048]</td> <td>= +4 [102] / -0</td> </tr> <tr> <td>120 [3048] &lt; L ≤ 300 [7620]</td> <td>= +6 [152] / -0</td> </tr> <tr> <td>300 [7620] &lt; L = +5%L / -0</td> <td></td> </tr> </table> <p>ALL DIMENSIONS SHOWN ARE FOR REFERENCE ONLY.</p>	.X = ±.2 [5.08]	FRACTIONS	.XX = ±.02 [ .51]	±.1/32	.XXX = ±.005 [ .13]	ANGLES ± 1°	L ≤ 12 [305]	= +1 [25] / -0	12 [305] < L ≤ 60 [1524]	= +2 [51] / -0	60 [1524] < L ≤ 120 [3048]	= +4 [102] / -0	120 [3048] < L ≤ 300 [7620]	= +6 [152] / -0	300 [7620] < L = +5%L / -0		<p>THIRD-ANGLE PROJECTION</p> <p>THE INFORMATION AND DESIGN IN THIS DOCUMENT IS THE PROPERTY OF PASTERNAK CORPORATION ALL RIGHTS RESERVED.</p> <p>SHEET 1 OF 2</p> <p>SCALE N/A</p>
	.X = ±.2 [5.08]	FRACTIONS															
.XX = ±.02 [ .51]	±.1/32																
.XXX = ±.005 [ .13]	ANGLES ± 1°																
L ≤ 12 [305]	= +1 [25] / -0																
12 [305] < L ≤ 60 [1524]	= +2 [51] / -0																
60 [1524] < L ≤ 120 [3048]	= +4 [102] / -0																
120 [3048] < L ≤ 300 [7620]	= +6 [152] / -0																
300 [7620] < L = +5%L / -0																	
<p>PE PASTERNAK an INFINITE brand</p> <p>Pasternack Enterprises, Inc. P. O. Box 16759, Irvine, CA 92623. Phone: 1.949.261.1920   1.866.727.8376 Fax: 1.949.261.7451 Website: www.pasternack.com E-mail: sales@pasternack.com</p>	<p>ITEM NO. PE71S6513</p>																

- NOTES:
- LABEL PER ILS-100-02. FOR INTERNAL REFERENCE ONLY.  
LABEL LOCATION FOR REFERENCE ONLY.

THESE COMMODITIES, TECHNOLOGY OR SOFTWARE WERE EXPORTED FROM THE UNITED STATES IN ACCORDANCE WITH THE EXPORT ADMINISTRATION REGULATIONS. DIVERSION CONTRARY TO U.S. LAW PROHIBITED.

# PE71S6513 CAD Drawing

SP4T Electromechanical Relay Normally Open Switch, Terminated,  
DC to 26.5 GHz, 2M Lifecycles, 20W, 12V, SMA, Solder Pins



## SCHEMATIC

(SHOWN IN NORMALLY OPEN AND INTERNALLY TERMINATE POSITIONS)

TRUTH TABLE/PIN ASSIGNMENT:  
PIN ASSIGNMENT

TERMINALS PIN ASSIGNMENT	RF PATH			
	J1	J2	J3	J4
1	ON	OFF	OFF	OFF
2	OFF	ON	OFF	OFF
3	OFF	OFF	ON	OFF
4	OFF	OFF	OFF	ON

PIN -C, -COM

UNLESS OTHERWISE SPECIFIED  
LEADING DIMENSIONS ARE INCHES  
DIMENSIONS IN [ ] ARE MILLIMETERS

TOLERANCES:  
 .X = ±.2 [5.08]      FRACTIONS  
 .XX = ±.02 [ .51]      ± 1/32  
 .XXX = ±.005 [ .13]      ANGLES ± 1°  
 CABLE LENGTH (L) TOLERANCES:  
 L ≤ 12 [305] = +1 [25] / -0  
 12 [305] < L ≤ 60 [1524] = +2 [51] / -0  
 60 [1524] < L ≤ 120 [3048] = +4 [102] / -0  
 120 [3048] < L ≤ 300 [7620] = +6 [152] / -0  
 300 [7620] < L = +5%L / -0  
 ALL DIMENSIONS SHOWN  
 ARE FOR REFERENCE ONLY.



THIRD-ANGLE PROJECTION  
 THE INFORMATION AND  
 DESIGN IN THIS DOCUMENT  
 IS THE PROPERTY OF  
 PASTERNAK CORPORATION  
 ALL RIGHTS RESERVED.

SHEET 2 OF 2

SCALE N/A

REV A



Pasternack Enterprises, Inc.  
 P.O. Box 16759, Irvine, CA 92623.  
 Phone: 1.949.261.1920 | 1.866.727.8376  
 Fax: 1.949.261.7451  
 Website: www.pasternack.com  
 E-mail: sales@pasternack.com

ITEM NO. PE71S6513  
 DRAWN BY KGLEBOVA  
 CAGE CODE 53919  
 SIZE A

THESE COMMODITIES, TECHNOLOGY OR SOFTWARE WERE EXPORTED FROM THE UNITED STATES IN ACCORDANCE WITH THE EXPORT ADMINISTRATION REGULATIONS. DIVERSION CONTRARY TO U.S. LAW PROHIBITED.