



5 to 95 dB Dial Continuously Variable Attenuator, SMA Female to SMA Female Rated to 5 Watts Up to 4 GHz

**TECHNICAL DATA SHEET**

**PE7422**

**Configuration**

|             |   |
|-------------|---|
| Design      | Continuously Variable, Bidirectional Attenuator |
| Connector 1 | SMA Female                                      |
| Connector 2 | SMA Female                                      |

**Electrical Specifications** Values at 25°C, sea level

| Description       | Minimum | Typical | Maximum | Units |
|-------------------|---------|---------|---------|-------|
| Frequency Range   | DC      |         | 4       | GHz   |
| Impedance         |         | 50      |         | Ohms  |
| Attenuation Value |         | 5 to 95 |         | dB    |
| Step Type         |         | Dial    |         |       |
| Input Power       |         |         | 5       | Watts |
| Peak Power        |         |         | 500     | Watts |
| Insertion Loss    |         | 5       |         | dB    |
| VSWR              |         |         | 1.8:1   |       |

**Specifications by Frequency**

| Description | F1      | F2     | F3     | F4     | F5 | Units |
|-------------|---------|--------|--------|--------|----|-------|
| Range       | DC to 1 | 1 to 2 | 2 to 3 | 3 to 4 |    | GHz   |
| VSWR        | 1.5:1   | 1.6:1  | 1.7:1  | 1.8:1  |    |       |

**Mechanical Specifications**

**Temperature**

|                 |                   |
|-----------------|-------------------|
| Operating Range | 0 to +85 deg C    |
| Storage Range   | +125 to -55 deg C |

**Size**

|        |                      |
|--------|----------------------|
| Length | 2.38 in [60.45 mm]   |
| Width  | 4.52 in [114.81 mm]  |
| Height | 4.52 in [114.81 mm]  |
| Weight | 2.5925 lbs [1.18 kg] |

**Connectors**

| Description             | Connector 1 | Connector 2 |
|-------------------------|-------------|-------------|
| Type                    | SMA Female  | SMA Female  |
| Connector Specification | MIL-STD-348 | MIL-STD-348 |

Click the following link (or enter part number in "SEARCH" on website) to obtain additional part information including price, inventory and certifications: [5 to 95 dB Dial Continuously Variable Attenuator, SMA Female to SMA Female Rated to 5 Watts Up to 4 GHz PE7422](#)



## 5 to 95 dB Dial Continuously Variable Attenuator, SMA Female to SMA Female Rated to 5 Watts Up to 4 GHz

### TECHNICAL DATA SHEET

PE7422

**Compliance Certifications** (see [product page](#) for current document)

#### Plotted and Other Data

Notes:

- Values at 25 °C, sea level
- Insertion loss is 3dB in the 30 dB range, 5 dB in other ranges.

5 to 95 dB Dial Continuously Variable Attenuator, SMA Female to SMA Female Rated to 5 Watts Up to 4 GHz from Pasternack Enterprises has same day shipment for domestic and International orders. Our RF, microwave and millimeter wave products maintain a 99.4% availability and are part of the broadest selection in the industry.

Click the following link (or enter part number in "SEARCH" on website) to obtain additional part information including price, inventory and certifications: [5 to 95 dB Dial Continuously Variable Attenuator, SMA Female to SMA Female Rated to 5 Watts Up to 4 GHz PE7422](#)

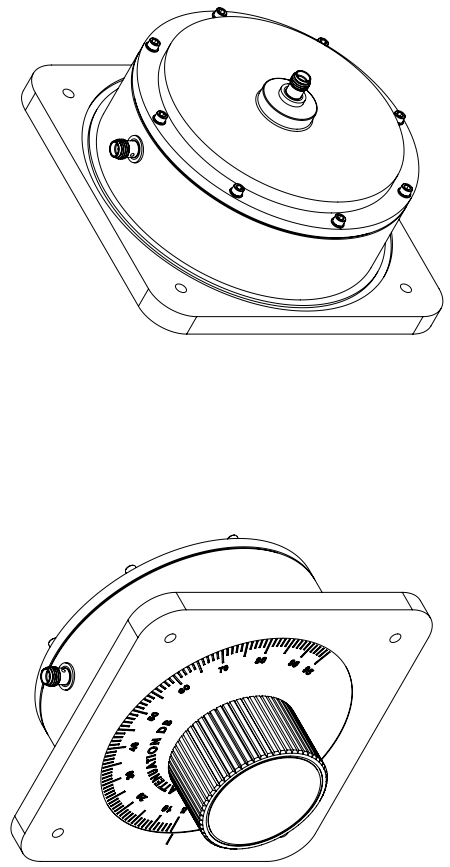
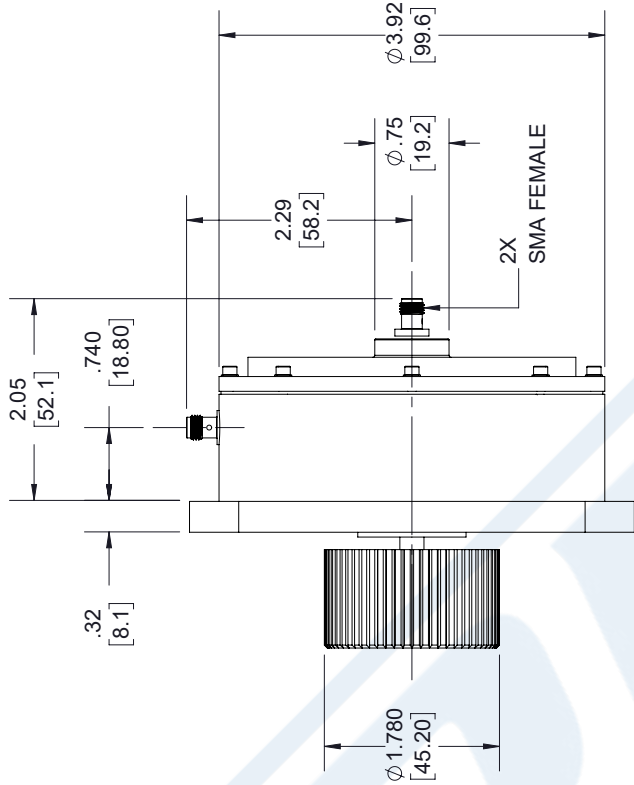
URL: <https://www.pasternack.com/90db-continuously-variable-sma-female-sma-female-5-watts-attenuator-pe7422-p.aspx>

The information contained in this document is accurate to the best of our knowledge and representative of the part described herein. It may be necessary to make modifications to the part and/or the documentation of the part, in order to implement improvements. Pasternack reserves the right to make such changes as required. Unless otherwise stated, all specifications are nominal. Pasternack does not make any representation or warranty regarding the suitability of the part described herein for any particular purpose, and Pasternack does not assume any liability arising out of the use of any part or documentation.

# PE7422 CAD Drawing

5 to 95 dB Dial Continuously Variable Attenuator, SMA Female  
to SMA Female Rated to 5 Watts Up to 4 GHz

| REVISIONS |                     |          |          |
|-----------|---------------------|----------|----------|
| REV.      | DESCRIPTION         | DATE     | APPROVED |
| A         | PCR PE7422 20191029 | 10/30/19 | J.GARCIA |



|   |              |                 |           |            |       |       |              |       |             |        |       |                |                   |        |                |                     |        |                 |                      |        |                 |                |  |             |   |   |
|---|--------------|-----------------|-----------|------------|-------|-------|--------------|-------|-------------|--------|-------|----------------|-------------------|--------|----------------|---------------------|--------|-----------------|----------------------|--------|-----------------|----------------|--|-------------|---|---|
| <p>UNLESS OTHERWISE SPECIFIED LEADING DIMENSIONS ARE INCHES DIMENSIONS IN [ ] ARE MILLIMETERS</p> <p>TOLERANCES:</p> <table border="0"> <tr> <td>.X = ±.2</td> <td>[5.08]</td> <td>FRACTIONS</td> </tr> <tr> <td>.XX = ±.02</td> <td>[.51]</td> <td>±.132</td> </tr> <tr> <td>.XXX = ±.005</td> <td>[.13]</td> <td>ANGLES ± 1°</td> </tr> </table> <p>CABLE LENGTH (L) TOLERANCES:</p> <table border="0"> <tr> <td>L ≤ 12</td> <td>[305]</td> <td>= +1 [25] / -0</td> </tr> <tr> <td>12 [305] &lt; L ≤ 60</td> <td>[1524]</td> <td>= +2 [51] / -0</td> </tr> <tr> <td>60 [1524] &lt; L ≤ 120</td> <td>[3048]</td> <td>= +4 [102] / -0</td> </tr> <tr> <td>120 [3048] &lt; L ≤ 300</td> <td>[7620]</td> <td>= +6 [152] / -0</td> </tr> <tr> <td>300 [7620] &lt; L</td> <td></td> <td>= +5%L / -0</td> </tr> </table> <p>ALL DIMENSIONS SHOWN ARE FOR REFERENCE ONLY.</p> | .X = ±.2     | [5.08]          | FRACTIONS | .XX = ±.02 | [.51] | ±.132 | .XXX = ±.005 | [.13] | ANGLES ± 1° | L ≤ 12 | [305] | = +1 [25] / -0 | 12 [305] < L ≤ 60 | [1524] | = +2 [51] / -0 | 60 [1524] < L ≤ 120 | [3048] | = +4 [102] / -0 | 120 [3048] < L ≤ 300 | [7620] | = +6 [152] / -0 | 300 [7620] < L |  | = +5%L / -0 | <p><b>PE PASTERNAK</b><br/>an INFINITO brand</p> <p>Pasternack Enterprises, Inc.<br/>P. O. Box 16759, Irvine, CA 92623.<br/>Phone: 1.949.261.1920   1.866.727.8376<br/>Fax: 1.949.261.7451<br/>Website: www.pasternack.com<br/>E-mail: sales@pasternack.com</p> | <p>THIRD-ANGLE PROJECTION</p> <p>THE INFORMATION AND DESIGN IN THIS DOCUMENT IS THE PROPERTY OF PASTERNAK CORPORATION ALL RIGHTS RESERVED.</p> <p>SHEET 1 OF 1</p> <p>SCALE N/A</p> |
|   | .X = ±.2     | [5.08]          | FRACTIONS |            |       |       |              |       |             |        |       |                |                   |        |                |                     |        |                 |                      |        |                 |                |  |             |   |   |
| .XX = ±.02  | [.51]        | ±.132           |           |            |       |       |              |       |             |        |       |                |                   |        |                |                     |        |                 |                      |        |                 |                |  |             |   |   |
| .XXX = ±.005  | [.13]        | ANGLES ± 1°     |           |            |       |       |              |       |             |        |       |                |                   |        |                |                     |        |                 |                      |        |                 |                |  |             |   |   |
| L ≤ 12  | [305]        | = +1 [25] / -0  |           |            |       |       |              |       |             |        |       |                |                   |        |                |                     |        |                 |                      |        |                 |                |  |             |   |   |
| 12 [305] < L ≤ 60   | [1524]       | = +2 [51] / -0  |           |            |       |       |              |       |             |        |       |                |                   |        |                |                     |        |                 |                      |        |                 |                |  |             |   |   |
| 60 [1524] < L ≤ 120   | [3048]       | = +4 [102] / -0 |           |            |       |       |              |       |             |        |       |                |                   |        |                |                     |        |                 |                      |        |                 |                |  |             |   |   |
| 120 [3048] < L ≤ 300  | [7620]       | = +6 [152] / -0 |           |            |       |       |              |       |             |        |       |                |                   |        |                |                     |        |                 |                      |        |                 |                |  |             |   |   |
| 300 [7620] < L  |              | = +5%L / -0     |           |            |       |       |              |       |             |        |       |                |                   |        |                |                     |        |                 |                      |        |                 |                |  |             |   |   |
| <p>SIZE A</p> <p>CAGE CODE 53919</p> <p>DRAWN BY K.DANG</p> <p>PART NUMBER PE7422</p>   | <p>REV A</p> |                 |           |            |       |       |              |       |             |        |       |                |                   |        |                |                     |        |                 |                      |        |                 |                |  |             |   |   |

THESE COMMODITIES, TECHNOLOGY OR SOFTWARE WERE EXPORTED FROM THE UNITED STATES IN ACCORDANCE WITH THE EXPORT ADMINISTRATION REGULATIONS. DIVERSION CONTRARY TO U.S. LAW PROHIBITED.