



Zero Biased Detector With 50 Ohm SMA Male to SMA Female Video Out Operating From 2 GHz to 4 GHz

TECHNICAL DATA SHEET

PE8015

Zero Biased Detector With 50 Ohm SMA Male to SMA Female Video Out Operating From 2 GHz to 4 GHz

Configuration

Bias Type	Zero Biased Detector
Detector Polarity	Negative
Body Style	Straight
RF Input Connector	SMA Male
RF Input Impedance	50 Ohms
Video Output Connector	SMA Female

Electrical Specifications

Frequency Range, GHz	2 to 4
Voltage Sensitivity, mV/mW	500
Tangential Signal Sensitivity	-52
Maximum VSWR	1.2:1
Flatness, dB	± 0.2
Video Capacitance, pF	20

Mechanical Specifications

Temperature

Operating Range, deg C	0 to +90
Storage Range, deg C	-65 to +150

Size

Length, in [mm]	1.21 [30.73]
Width/Dia., in [mm]	0.312 [7.92]

RF Input

Type	SMA Male
Dielectric Type	PTFE
Inner Conductor Material and Plating	Gold
Coupling Nut Material and Plating	Passivated Stainless Steel
Hex Size, Inch	5/16
Body Material and Plating	Passivated Stainless Steel

Video Output

Type	SMA Female
Dielectric Type	PTFE
Inner Conductor Material and Plating	Gold
Body Material and Plating	Passivated Stainless Steel

Compliance Certifications (visit www.Pasternack.com for current document)

REACH Compliant	06/18/2012
-----------------	------------

Click the following link (or enter part number in "SEARCH" on website) to obtain additional part information including price, inventory and certifications: [Zero Biased Detector With 50 Ohm SMA Male to SMA Female Video Out Operating From 2 GHz to 4 GHz PE8015](#)

The information contained in this document is accurate to the best of our knowledge and representative of the part described herein. It may be necessary to make modifications to the part and/or the documentation of the part, in order to implement improvements. Pasternack reserves the right to make such changes as required. Unless otherwise stated, all specifications are nominal.



Zero Biased Detector With 50 Ohm SMA Male to SMA
Female Video Out Operating From 2 GHz to 4 GHz

TECHNICAL DATA SHEET

PE8015

Plotted and Other Data

Notes:

Values at 25 °C, sea level

Zero Biased Detector With 50 Ohm SMA Male to SMA Female Video Out Operating From 2 GHz to 4 GHz from Pasternack Enterprises has same day shipment for domestic and International orders. Our RF, microwave and fiber optic products maintain a 99% availability and are part of the broadest selection in the industry.

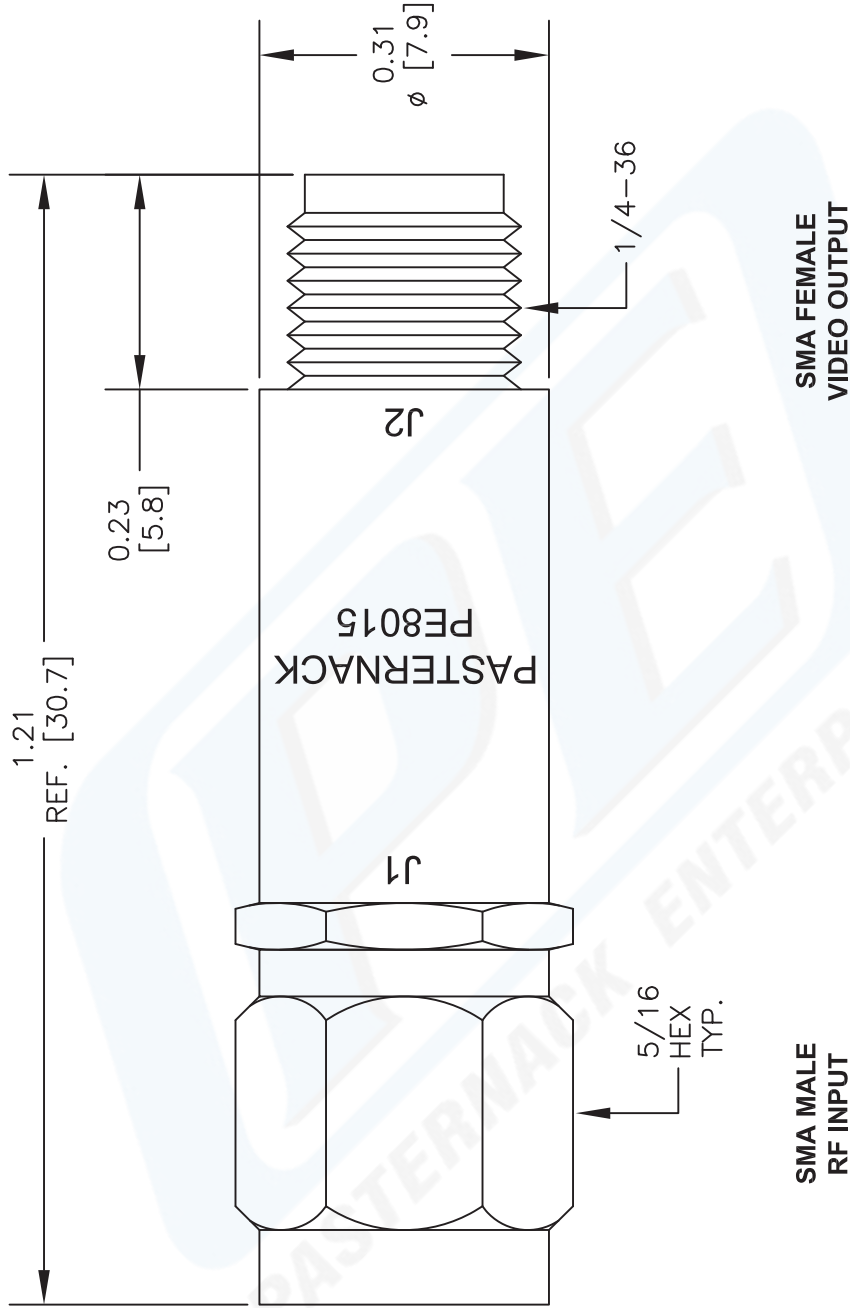
Click the following link (or enter part number in "SEARCH" on website) to obtain additional part information including price, inventory and certifications: [Zero Biased Detector With 50 Ohm SMA Male to SMA Female Video Out Operating From 2 GHz to 4 GHz PE8015](http://www.pasternack.com/50-ohm-sma-zero-biased-detector-negative-2000-mhz-4000-mhz-pe8015-p.aspx)

URL: <http://www.pasternack.com/50-ohm-sma-zero-biased-detector-negative-2000-mhz-4000-mhz-pe8015-p.aspx>

The information contained in this document is accurate to the best of our knowledge and representative of the part described herein. It may be necessary to make modifications to the part and/or the documentation of the part, in order to implement improvements. Pasternack reserves the right to make such changes as required. Unless otherwise stated, all specifications are nominal.

PE8015 CAD Drawing

Zero Biased Detector With 50 Ohm SMA Male to SMA Female
Video Out Operating From 2 GHz to 4 GHz



DWG TITLE

PE8015

NOTES:
1. UNLESS OTHERWISE SPECIFIED ALL DIMENSIONS ARE NOMINAL.
2. ALL SPECIFICATIONS ARE SUBJECT TO CHANGE WITHOUT NOTICE AT ANY TIME.
3. DIMENSIONS ARE IN INCHES [mm].

FSCM NO. 53919

CAD FILE 090313

SCALE N/A

SIZE A

2233



PASTERNAK[®]
Pasternack Enterprises, Inc.
P.O. Box 16759 | Irvine | CA | 92623
Phone: (949) 261-1920 | Fax: (949) 261-7451
Website: www.pasternack.com | E-Mail: sales@pasternack.com