



4 Section Bandpass Filter With SMA Female Connectors Operating From 902 MHz to 928 MHz With a 26 MHz Passband

Bandpass Filters Technical Data Sheet

PE8700

Features

- Pass band of 26 MHz
- 902 MHz to 928 MHz
- Four Section
- Combine filter design
- 50 dB rejection at 815 MHz and 1015 MHz (about 90 MHz from band edge)
- Maximum insertion loss of 1.5 dB
- Female SMA connectors

Applications

- ISM
- RFID

Description

The PE8700 is a four section band pass filter that is useful for filtering for ISM and RFID uses. The pass band is 26 MHz, or 902 to 928 MHz. Implementing a combine design, the filter has excellent rejection of 50 dB at 815 MHz and 1015 MHz, or about 90 MHz from the band edges. It has a maximum insertion loss of 1.5 dB. The PE8700 has SMA female connectors.

Electrical Specifications

Description	Minimum	Typical	Maximum	Units
Passband Frequency	902		928	MHz
Impedance		50		Ohms
Insertion Loss			1.5	dB
Passband VSWR		1.5:1		
Rejection at 815 MHz	50			dB
Rejection at 1.015 GHz	50			dB
Input Power, CW			5	Watts

Electrical Specification Notes: Values at 25°C, sea level.

Mechanical Specifications

Size

Length	2.35 in [59.69 mm]
Width	1.98 in [50.29 mm]
Height	0.53 in [13.46 mm]
Weight	0.19 lbs [86.18 g]

Configuration

Design	Combine
Number of Sections	4
Package Style	Connectorized Module
Connector 1	SMA Female
Connector 2	SMA Female

Click the following link (or enter part number in "SEARCH" on website) to obtain additional part information including price, inventory and certifications: [4 Section Bandpass Filter With SMA Female Connectors Operating From 902 MHz to 928 MHz With a 26 MHz Passband PE8700](#)



4 Section Bandpass Filter With SMA Female Connectors
Operating From 902 MHz to 928 MHz With a 26 MHz Passband

Bandpass Filters Technical Data Sheet

PE8700

Environmental Specifications

Compliance Certifications (visit www.Pasternack.com for current document)

RoHS Compliant

REACH Compliant

12/17/2014

Plotted and Other Data

Notes:

- Values at 25°C, sea level.

Click the following link (or enter part number in "SEARCH" on website) to obtain additional part information including price, inventory and certifications: [4 Section Bandpass Filter With SMA Female Connectors Operating From 902 MHz to 928 MHz With a 26 MHz Passband PE8700](#)

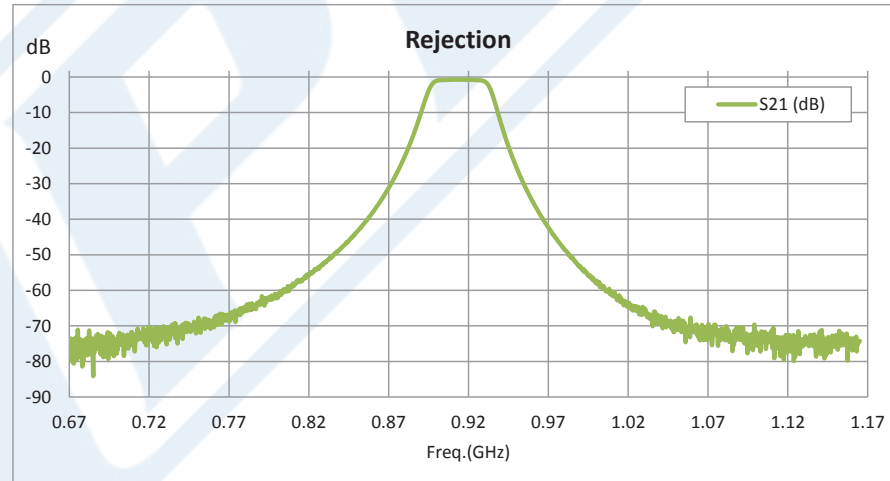
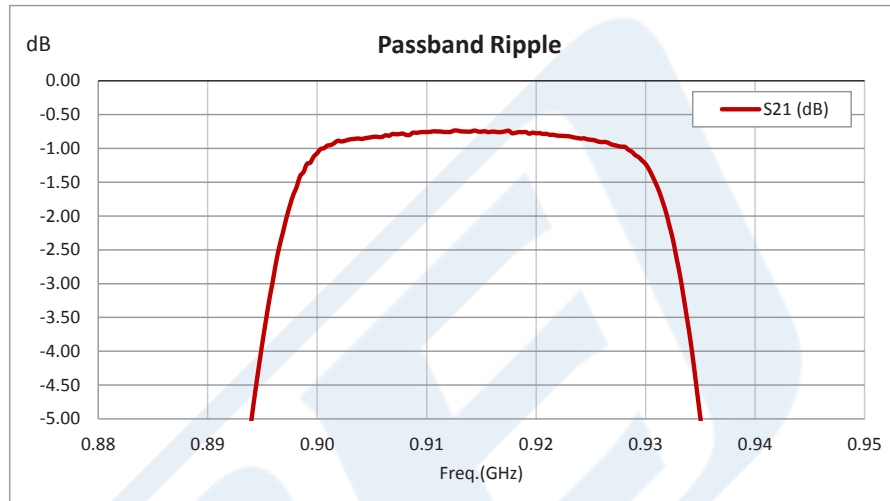


4 Section Bandpass Filter With SMA Female Connectors
Operating From 902 MHz to 928 MHz With a 26 MHz Passband

Bandpass Filters Technical Data Sheet

PE8700

Typical Performance Data



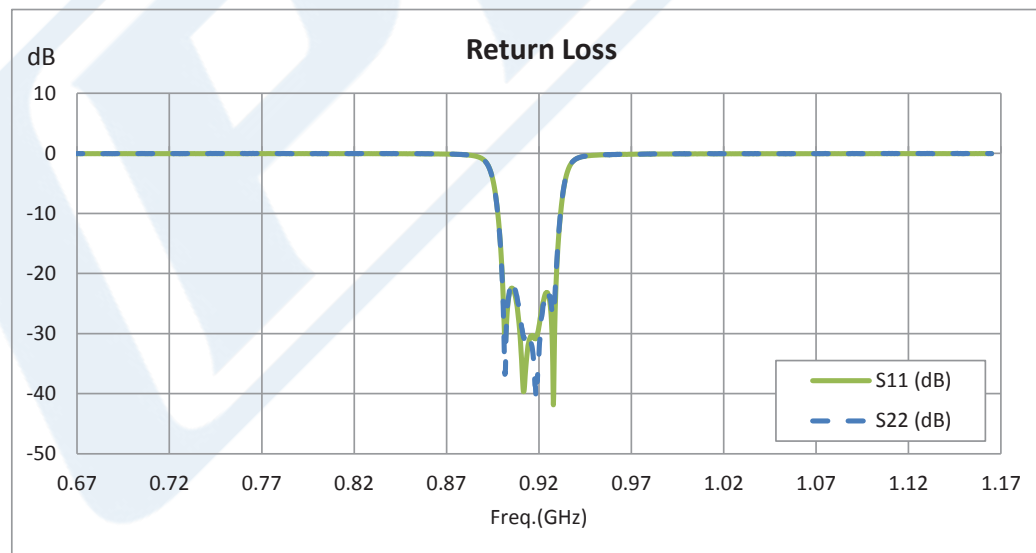
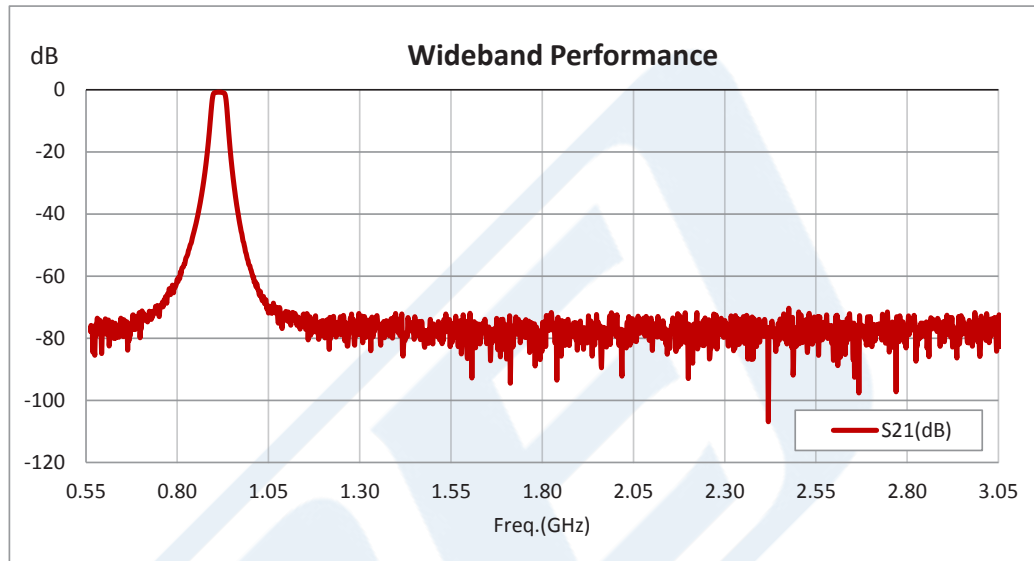
Click the following link (or enter part number in "SEARCH" on website) to obtain additional part information including price, inventory and certifications: [4 Section Bandpass Filter With SMA Female Connectors Operating From 902 MHz to 928 MHz With a 26 MHz Passband PE8700](#)



4 Section Bandpass Filter With SMA Female Connectors
Operating From 902 MHz to 928 MHz With a 26 MHz Passband

Bandpass Filters Technical Data Sheet

PE8700



4 Section Bandpass Filter With SMA Female Connectors Operating From 902 MHz to 928 MHz With a 26 MHz Passband from Pasternack Enterprises has same day shipment for domestic and International orders. Our RF, microwave and millimeter wave products maintain a 99% availability and are part of the broadest selection in the industry.

Click the following link (or enter part number in "SEARCH" on website) to obtain additional part information including price, inventory and certifications: [4 Section Bandpass Filter With SMA Female Connectors Operating From 902 MHz to 928 MHz With a 26 MHz Passband PE8700](#)



4 Section Bandpass Filter With SMA Female Connectors Operating From 902 MHz to 928 MHz With a 26 MHz Passband

Bandpass Filters Technical Data Sheet

PE8700

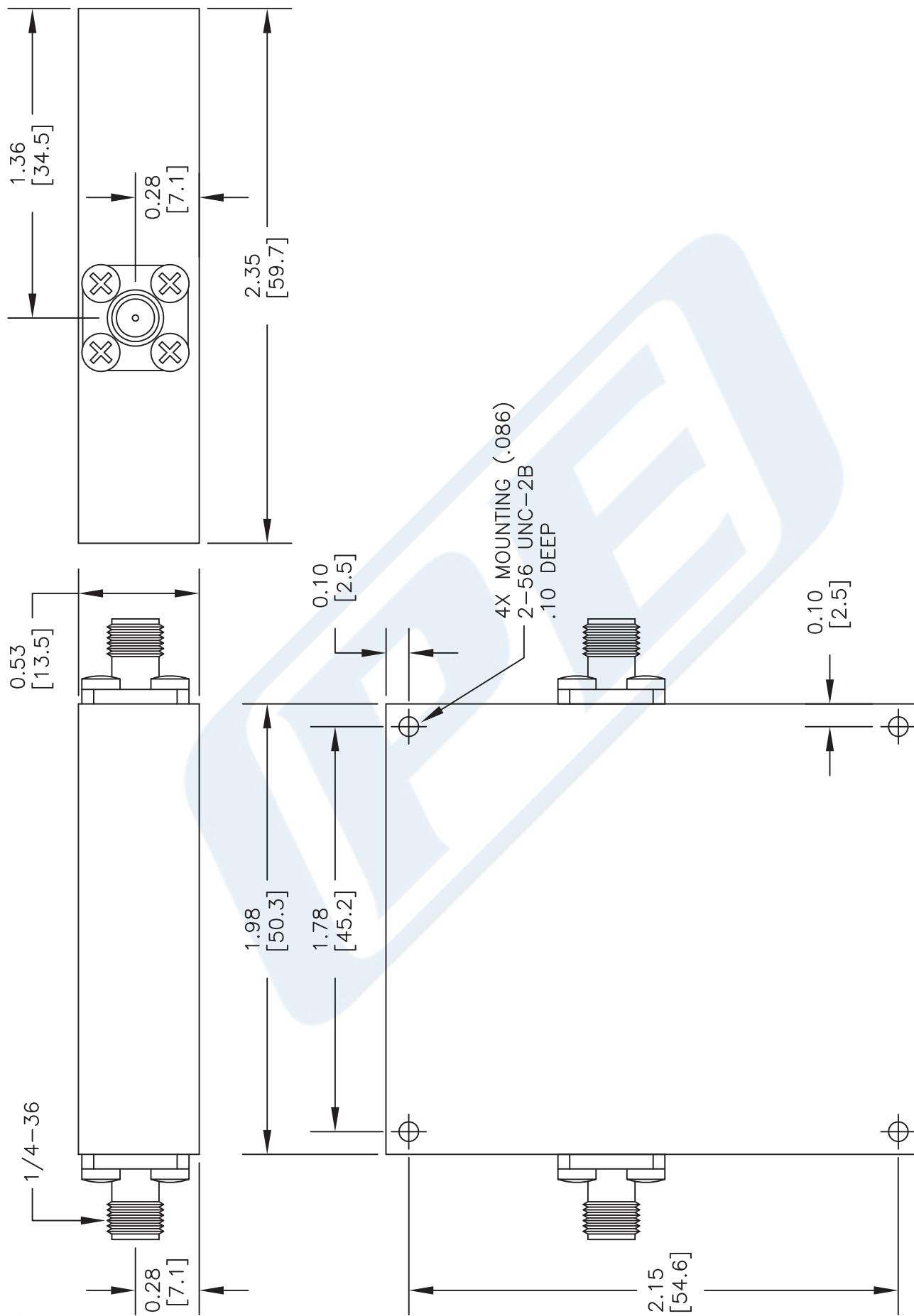
Click the following link (or enter part number in "SEARCH" on website) to obtain additional part information including price, inventory and certifications: [4 Section Bandpass Filter With SMA Female Connectors Operating From 902 MHz to 928 MHz With a 26 MHz Passband PE8700](http://www.pasternack.com/4-section-band-pass-filter-902-928-mhz-passband-26-mhz-pe8700-p.aspx)

URL: <http://www.pasternack.com/4-section-band-pass-filter-902-928-mhz-passband-26-mhz-pe8700-p.aspx>

The information contained in this document is accurate to the best of our knowledge and representative of the part described herein. It may be necessary to make modifications to the part and/or the documentation of the part, in order to implement improvements. Pasternack reserves the right to make such changes as required. Unless otherwise stated, all specifications are nominal. Pasternack does not make any representation or warranty regarding the suitability of the part described herein for any particular purpose, and Pasternack does not assume any liability arising out of the use of any part or documentation.

PE8700 CAD Drawing

4 Section Bandpass Filter With SMA Female Connectors Operating
From 902 MHz to 928 MHz With a 26 MHz Passband



DWG TITLE

PE8700

NOTES:
1. UNLESS OTHERWISE SPECIFIED ALL DIMENSIONS ARE NOMINAL.
2. ALL SPECIFICATIONS ARE SUBJECT TO CHANGE WITHOUT NOTICE AT ANY TIME.
3. DIMENSIONS ARE IN INCHES [mm].

FSCM NO. 53919

CAD FILE 041309

SCALE N/A

SIZE A

2233

PE PASTERNAK
THE ENGINEER'S RF SOURCE

Pasternack Enterprises, Inc.
P.O. Box 16759 | Irvine | CA | 92623
Phone: (949) 261-1920 | Fax: (949) 261-7451
Website: www.pasternack.com | E-Mail: sales@pasternack.com