



4 Section Bandpass Filter With SMA Female Connectors Operating From 2.5 GHz to 2.7 GHz With a 200 MHz Passband

Bandpass Filters Technical Data Sheet

PE8712

Features

- Pass band of 200 MHz
- 2.5 to 2.7 GHz
- Four section
- Combine filter design
- Minimum 50 dB rejection at 1.7 GHz and 3.5 GHz (about 800 MHz from band edge)
- Typical insertion loss of 1 dB
- Female SMA connectors

Applications

- WIMAX

Description

The PE8712 is a four section band pass filter that is useful for filtering for WIMAX uses. The pass band is 200 MHz, or 2.5 to 2.7 GHz. Implementing a combine design, the filter has excellent minimum rejection of 50 dB at 1.7 GHz and 3.5 GHz, or about 800 MHz from the band edges. It has a typical insertion loss of 1 dB. The PE8712 has SMA Female connectors.

Electrical Specifications

Description	Minimum	Typical	Maximum	Units
Passband Frequency	2.5		2.7	GHz
Impedance		50		Ohms
Insertion Loss		1		dB
Passband VSWR		1.5:1		
Rejection at 1.7 GHz	50			dB
Rejection at 3.5 GHz	50			dB
Input Power, CW			5	Watts

Electrical Specification Notes: Values at 25°C, sea level.

Mechanical Specifications

Size

Length	1.5 in [38.1 mm]
Width	1 in [25.4 mm]
Height	0.53 in [13.46 mm]
Weight	0.15 lbs [68.04 g]

Configuration

Design	Combine
Number of Sections	4
Package Style	Connectorized
Connector 1	SMA Female
Connector 2	SMA Female

Click the following link (or enter part number in "SEARCH" on website) to obtain additional part information including price, inventory and certifications: [4 Section Bandpass Filter With SMA Female Connectors Operating From 2.5 GHz to 2.7 GHz With a 200 MHz Passband PE8712](#)



4 Section Bandpass Filter With SMA Female Connectors
Operating From 2.5 GHz to 2.7 GHz With a 200 MHz Passband

Bandpass Filters Technical Data Sheet

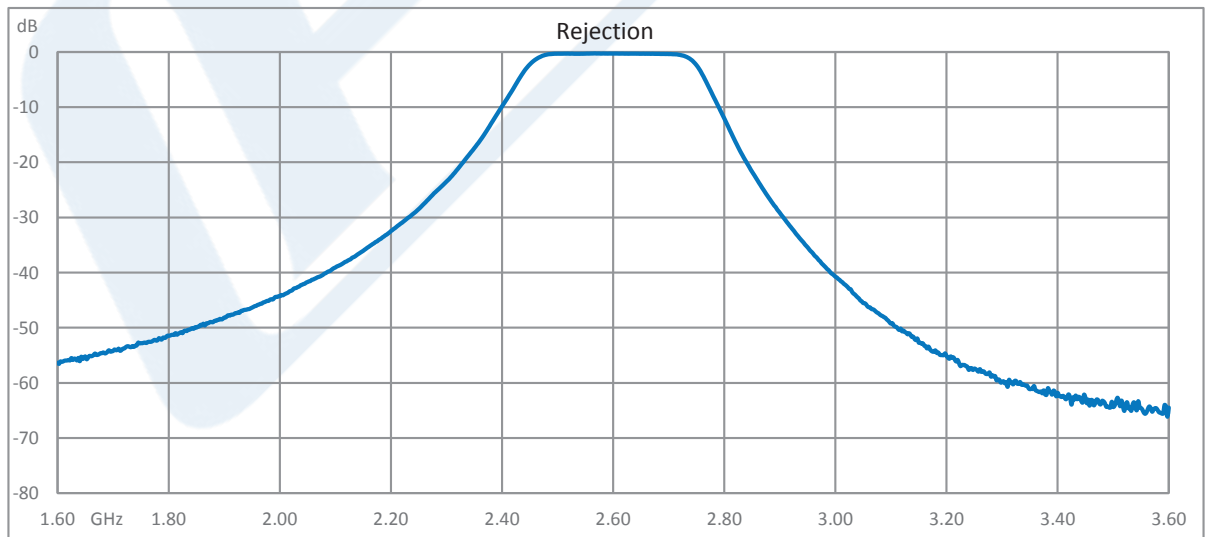
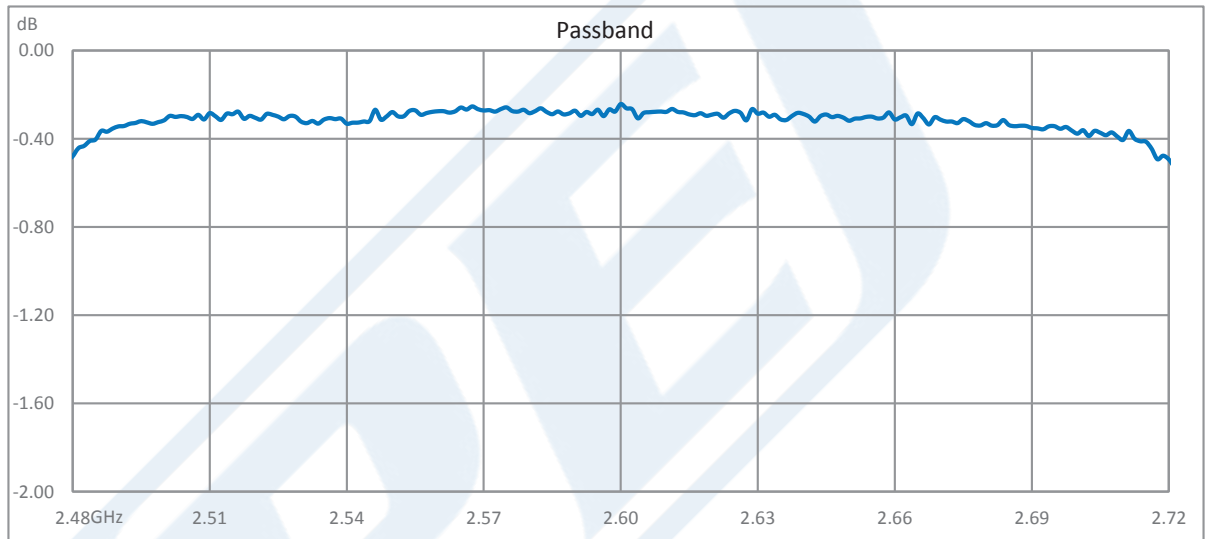
PE8712

Compliance Certifications (see [product page](#) for current document)

Plotted and Other Data

Notes:

Typical Performance Data



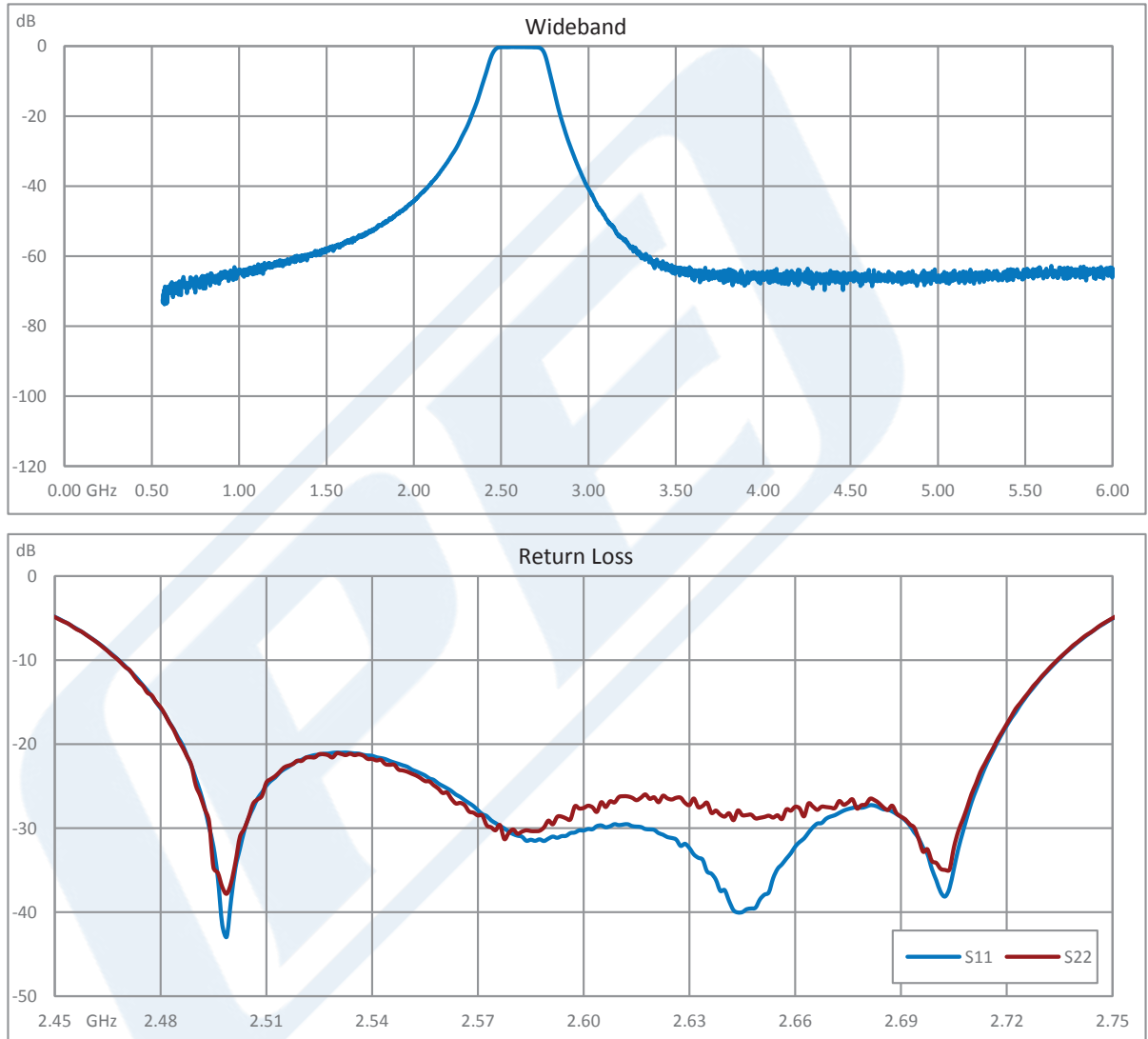
Click the following link (or enter part number in "SEARCH" on website) to obtain additional part information including price, inventory and certifications: [4 Section Bandpass Filter With SMA Female Connectors Operating From 2.5 GHz to 2.7 GHz With a 200 MHz Passband PE8712](#)



4 Section Bandpass Filter With SMA Female Connectors
Operating From 2.5 GHz to 2.7 GHz With a 200 MHz Passband

Bandpass Filters Technical Data Sheet

PE8712



Click the following link (or enter part number in "SEARCH" on website) to obtain additional part information including price, inventory and certifications: [4 Section Bandpass Filter With SMA Female Connectors Operating From 2.5 GHz to 2.7 GHz With a 200 MHz Passband PE8712](#)



4 Section Bandpass Filter With SMA Female Connectors Operating From 2.5 GHz to 2.7 GHz With a 200 MHz Passband

Bandpass Filters Technical Data Sheet

PE8712

4 Section Bandpass Filter With SMA Female Connectors Operating From 2.5 GHz to 2.7 GHz With a 200 MHz Passband from Pasternack Enterprises has same day shipment for domestic and International orders. Our RF, microwave and millimeter wave products maintain a 99% availability and are part of the broadest selection in the industry.

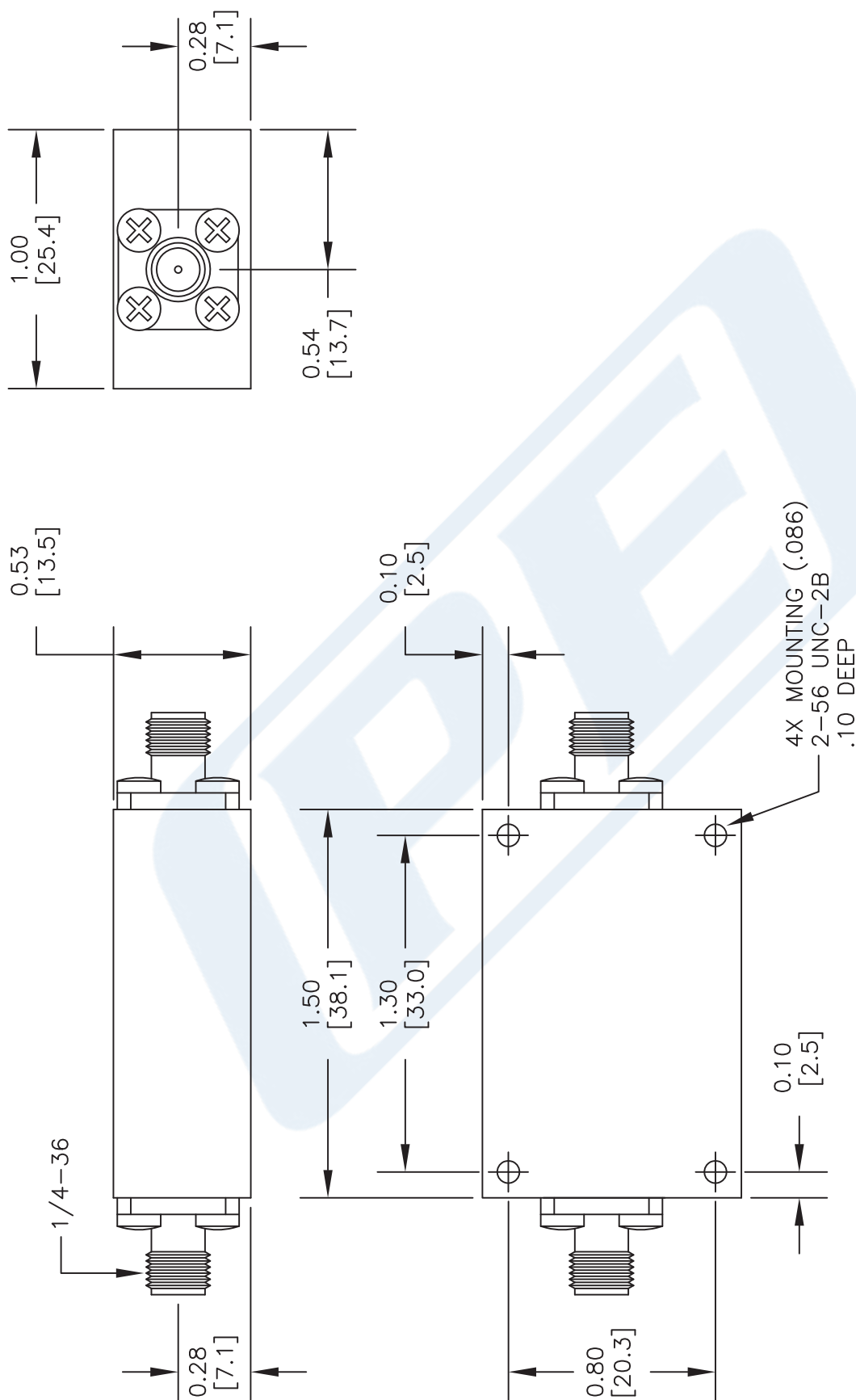
Click the following link (or enter part number in "SEARCH" on website) to obtain additional part information including price, inventory and certifications: [4 Section Bandpass Filter With SMA Female Connectors Operating From 2.5 GHz to 2.7 GHz With a 200 MHz Passband PE8712](https://www.pasternack.com/4-section-band-pass-filter-2.5-ghz-2.7-ghz-passband-200-mhz-pe8712-p.aspx)

URL: <https://www.pasternack.com/4-section-band-pass-filter-2.5-ghz-2.7-ghz-passband-200-mhz-pe8712-p.aspx>

The information contained in this document is accurate to the best of our knowledge and representative of the part described herein. It may be necessary to make modifications to the part and/or the documentation of the part, in order to implement improvements. Pasternack reserves the right to make such changes as required. Unless otherwise stated, all specifications are nominal. Pasternack does not make any representation or warranty regarding the suitability of the part described herein for any particular purpose, and Pasternack does not assume any liability arising out of the use of any part or documentation.

PE8712 CAD Drawing

4 Section Bandpass Filter With SMA Female Connectors Operating
From 2.5 GHz to 2.7 GHz With a 200 MHz Passband



DWG TITLE

PE8712

NOTES:
1. UNLESS OTHERWISE SPECIFIED ALL DIMENSIONS ARE NOMINAL.
2. ALL SPECIFICATIONS ARE SUBJECT TO CHANGE WITHOUT NOTICE AT ANY TIME.
3. DIMENSIONS ARE IN INCHES [mm].

FSCM NO. 53919

CAD FILE 041609

SCALE N/A

SIZE A

2233



Pasternack Enterprises, Inc.
P.O. Box 16759 | Irvine | CA | 92623
Phone: (949) 261-1920 | Fax: (949) 261-7451
Website: www.pasternack.com | E-Mail: sales@pasternack.com