



## 2.92mm Male to 2.92mm Female Right Angle Adapter

### RF Adapters Technical Data Sheet

PE9644

#### Configuration

- 2.92mm Male Connector 1
- 2.92mm Female Connector 2
- 50 Ohms
- Right Angle Body Geometry

#### Features

- Max VSWR of 1.3:1 up to 40 GHz
- Gold over Nickel Plated Beryllium Copper Contact
- Contact Plating per MIL-G-45204

#### Applications

- General Purpose Test

#### Description

Pasternack's PE9644 2.92mm male to 2.92mm female right angle adapter is part of our full line of RF components available for same-day shipping. The 2.92mm connector mates mechanically with commercially available SMA and 3.5mm connectors. Our 2.92mm to 2.92mm adapter has a male to female gender configuration. PE9644 2.92mm male to 2.92mm female adapter operates to 40 GHz. The Pasternack RF adapter provides good VSWR of 1.3:1 maximum. This low profile right angle 2.92mm adapter allows for easier connections in tight spaces.

RF adapters are often used to enable connections between two connector types that would otherwise not mate. Certain adapter configurations can also be used to protect connectors on expensive equipment where the number of connect/disconnect cycles is high. An RF, microwave or millimeter wave adapter is connected to the equipment, and the commonly changed connection is made with the adapter which can be easily replaced when it wears out after high usage; such adapters are referred to as connector savers. Pasternack also offers bulkhead, panel mount, hermetically sealed, reverse polarity, and isolated ground adapter varieties to serve all of your RF, microwave and millimeter wave needs.

#### Electrical Specifications

Description	Minimum	Typical	Maximum	Units
Frequency Range	DC		40	GHz
VSWR			1.3:1	
Insertion Loss			0.32	dB

Electrical Specification Notes:  
 Values at 25°C, sea level.  
 Insertion Loss (dB) = 0.05\*sqrt(fGHz).

#### Mechanical Specifications

Size	
Length	0.673 in [17.09 mm]
Width	0.312 in [7.92 mm]
Height	0.626 in [15.9 mm]
Weight	0.013 lbs [5.9 g]

Click the following link (or enter part number in "SEARCH" on website) to obtain additional part information including price, inventory and certifications: [2.92mm Male to 2.92mm Female Right Angle Adapter PE9644](#)



## 2.92mm Male to 2.92mm Female Right Angle Adapter

### RF Adapters Technical Data Sheet

PE9644

Description	Connector 1	Connector 2
Type	2.92mm Male	2.92mm Female
Polarity	Standard	Standard
Mating Cycles	500	500
Hex Size	5/16 in.	
Mating Torque	8 to 10 in-lbs [0.90 to 1.13 Nm]	

#### Material Specifications

Description	Connector 1		Connector 2	
	Material	Plating	Material	Plating
Type	2.92mm Male		2.92mm Female	
Contact	Beryllium Copper	Gold over Nickel MIL-G-45204	Beryllium Copper	Gold over Nickel MIL-G-45204
Insulation	Oxide-Noryl		Oxide-Noryl	
Outer Conductor			Passivated Stainless Steel	ASTM A380
Body	Passivated Stainless Steel	ASTM A380		
Coupling Nut	Passivated Stainless Steel	ASTM A380		

#### Environmental Specifications

##### Temperature

Operating Range -55 to +100 deg C

Vibration  
Salt Spray

MIL-STD-202, Method 204, Cond. D (20G's)  
MIL-STD-202, Method 101, Cond. B, 5% salt solution

**Compliance Certifications** (see [product page](#) for current document)

#### Plotted and Other Data

Notes:

Click the following link (or enter part number in "SEARCH" on website) to obtain additional part information including price, inventory and certifications: [2.92mm Male to 2.92mm Female Right Angle Adapter PE9644](#)



## 2.92mm Male to 2.92mm Female Right Angle Adapter

### RF Adapters Technical Data Sheet

PE9644

2.92mm Male to 2.92mm Female Right Angle Adapter from Pasternack Enterprises has same day shipment for domestic and International orders. Our RF, microwave and millimeter wave products maintain a 99% availability and are part of the broadest selection in the industry.

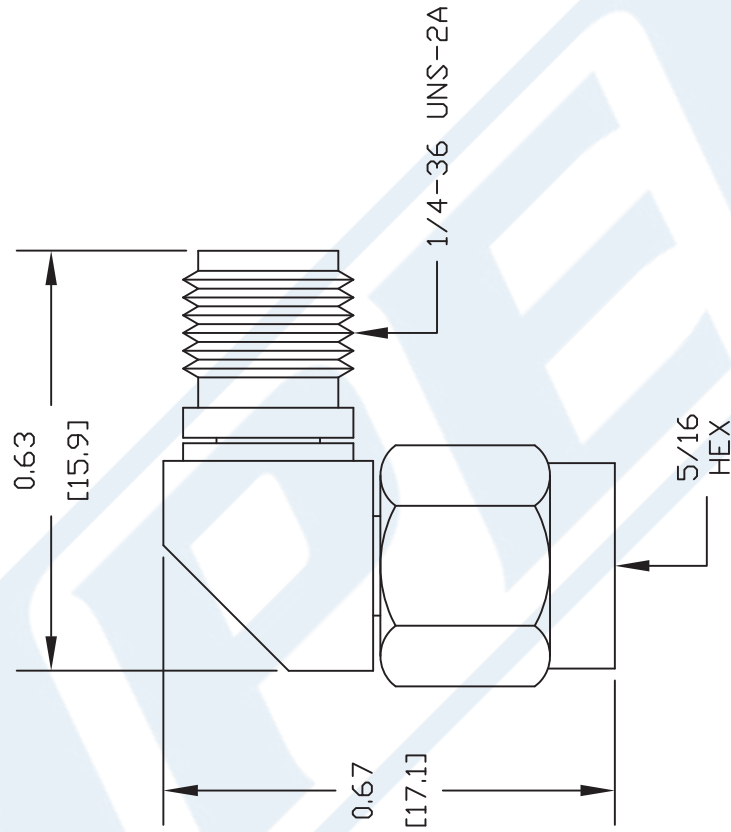
Click the following link (or enter part number in "SEARCH" on website) to obtain additional part information including price, inventory and certifications: [2.92mm Male to 2.92mm Female Right Angle Adapter PE9644](https://www.pasternack.com/2.92mm-male-2.92mm-female-right-angle-adapter-pe9644-p.aspx)

URL: <https://www.pasternack.com/2.92mm-male-2.92mm-female-right-angle-adapter-pe9644-p.aspx>

The information contained in this document is accurate to the best of our knowledge and representative of the part described herein. It may be necessary to make modifications to the part and/or the documentation of the part, in order to implement improvements. Pasternack reserves the right to make such changes as required. Unless otherwise stated, all specifications are nominal. Pasternack does not make any representation or warranty regarding the suitability of the part described herein for any particular purpose, and Pasternack does not assume any liability arising out of the use of any part or documentation.

# PE9644 CAD Drawing

2.92mm Male to 2.92mm Female Right Angle Adapter



DWG TITLE

**PE9644**

NOTES:  
1. UNLESS OTHERWISE SPECIFIED ALL DIMENSIONS ARE NOMINAL.  
2. ALL SPECIFICATIONS ARE SUBJECT TO CHANGE WITHOUT NOTICE AT ANY TIME.  
3. DIMENSIONS ARE IN INCHES [mm].

REV. -

FSCM NO. 53919

CAD FILE 010903

SCALE N/A

SIZE A

127

**PE PASTERNAK®**

Pasternack Enterprises, Inc.  
P.O. Box 16759 | Irvine | CA | 92623  
Phone: (949) 261-1920 | Fax: (949) 261-7451  
Website: [www.pasternack.com](http://www.pasternack.com) | E-Mail: [sales@pasternack.com](mailto:sales@pasternack.com)