



4.3 inch Edge Length, Trihedral Corner Reflector, 1/4-20 Threaded Hole Mount, Aluminum Body, Gold Chem Film Finish

TECHNICAL DATA SHEET

PEWRL0004

Pasternack's PEWRL0004 is a 4.3" Edge Length Trihedral Corner Reflector with an aluminum construction and a gold chemical film finish. PEWRL0004 can be used for Radar systems calibrations and can simulate radar target precisely. The trihedral reflector has a 1/4-20 threaded hole for a built in mounting bracket and can be mounted onto a tripod for rapid system setups.

**Features**

- 4.3" Edge Length
- Compact Size
- High RCS
- Rugged Configuration

**Applications**

- Radar System Calibration
- Radar Target Simulator
- Radar System Evaluation

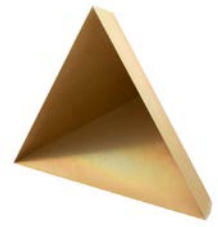
**Product Configuration**

Design: Trihedral Corner Reflector

**Mechanical Specifications**

Description	Value	[Metric]
Edge Length	4.3 in	[109.22 mm]
Length	2.33 in	[59.18 mm]
Width	4.3 in	[109.22 mm]
Height	4.04 in	[102.62 mm]
Weight	0.5 lbs	[226.8 g]

Click the following link (or enter part number in "SEARCH" on website) to obtain additional part information including price, inventory and certifications: [4.3 inch Edge Length, Trihedral Corner Reflector, 1/4-20 Threaded Hole Mount, Aluminum Body, Gold Chem Film Finish PEWRL0004](#)



4.3 inch Edge Length, Trihedral Corner Reflector, 1/4-20 Threaded Hole Mount, Aluminum Body, Gold Chem Film Finish

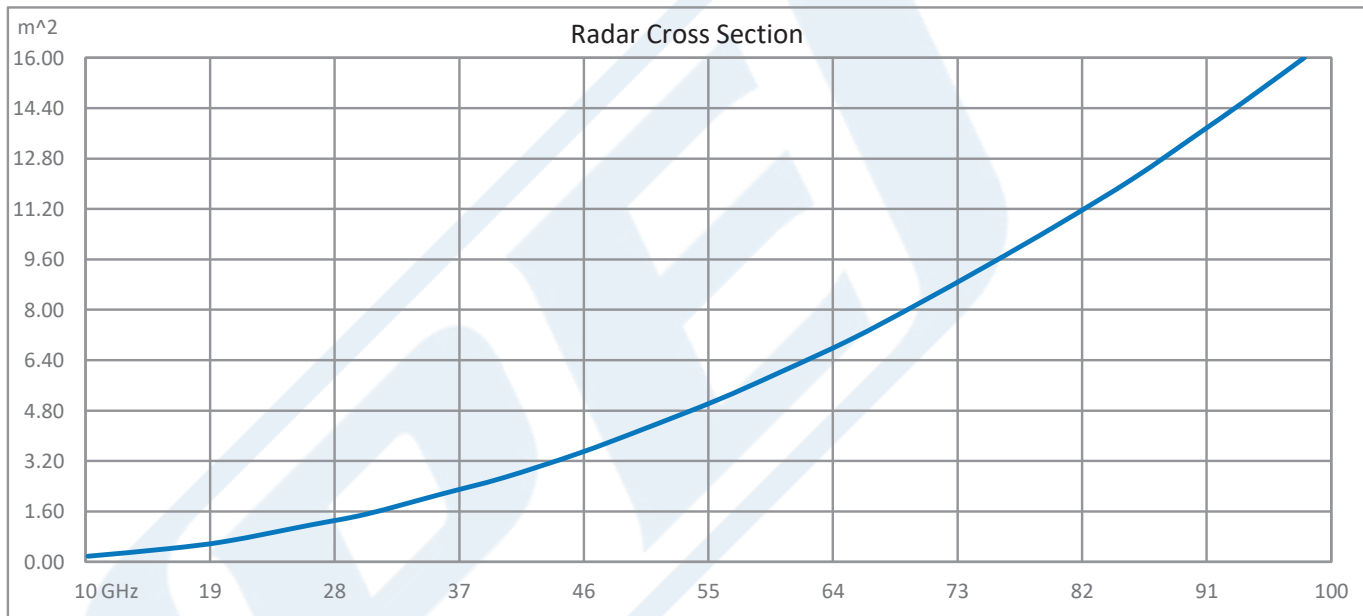
TECHNICAL DATA SHEET

PEWRL0004

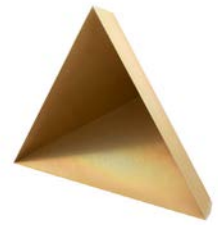
**Environmental**

RoHS Yes

**Plotted and Other Data**



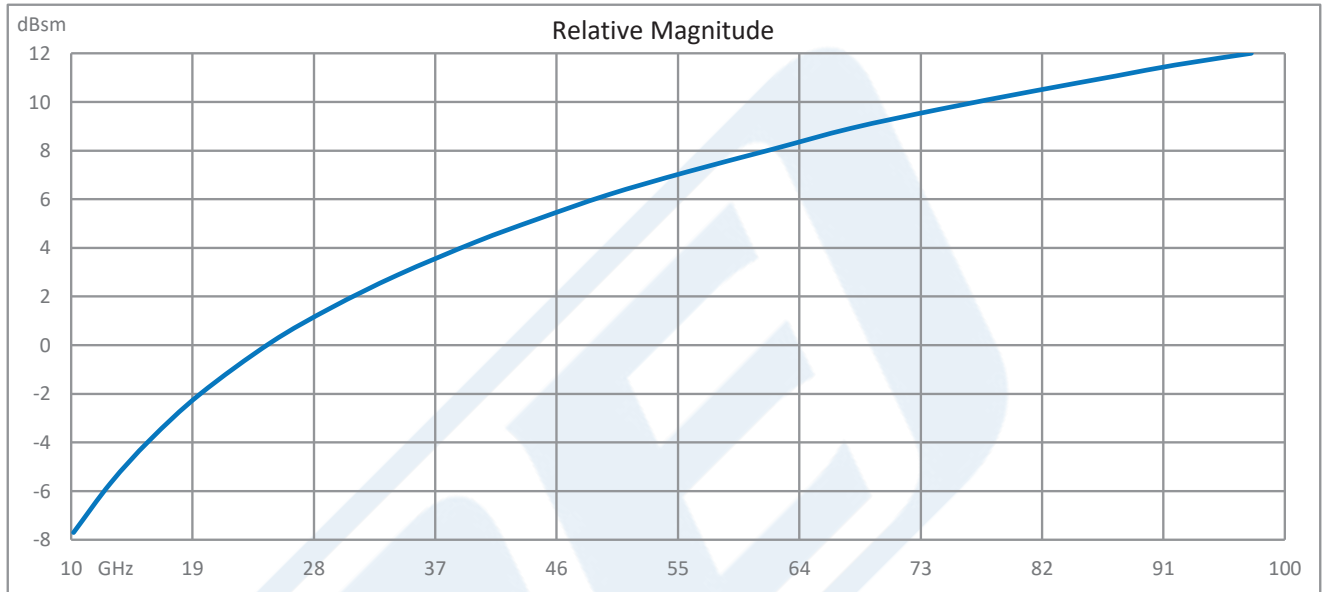
Click the following link (or enter part number in "SEARCH" on website) to obtain additional part information including price, inventory and certifications: [4.3 inch Edge Length, Trihedral Corner Reflector, 1/4-20 Threaded Hole Mount, Aluminum Body, Gold Chem Film Finish PEWRL0004](#)



4.3 inch Edge Length, Trihedral Corner Reflector, 1/4-20 Threaded Hole Mount, Aluminum Body, Gold Chem Film Finish

TECHNICAL DATA SHEET

PEWRL0004



4.3 inch Edge Length, Trihedral Corner Reflector, 1/4-20 Threaded Hole Mount, Aluminum Body, Gold Chem Film Finish from Pasternack Enterprises has same day shipment for domestic and International orders. Our RF, microwave and millimeter wave products maintain a 99.4% availability and are part of the broadest selection in the industry.

Click the following link (or enter part number in "SEARCH" on website) to obtain additional part information including price, inventory and certifications: [4.3 inch Edge Length, Trihedral Corner Reflector, 1/4-20 Threaded Hole Mount, Aluminum Body, Gold Chem Film Finish PEWRL0004](https://www.pasternack.com/4.3-inch-edge-length-trihedral-corner-reflector-aluminum-body-gold-finish-pewr10004-p.aspx)

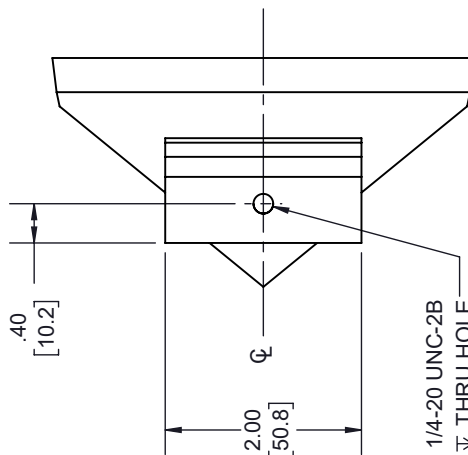
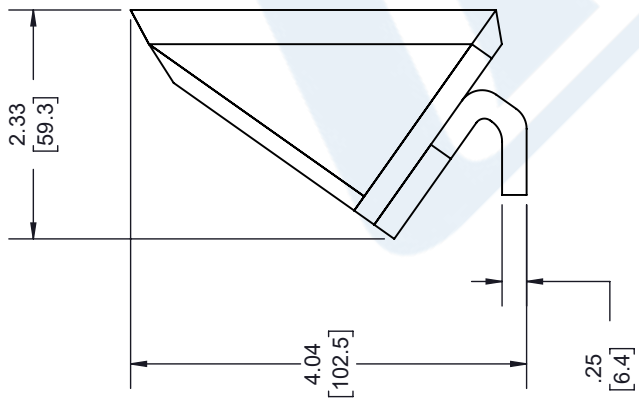
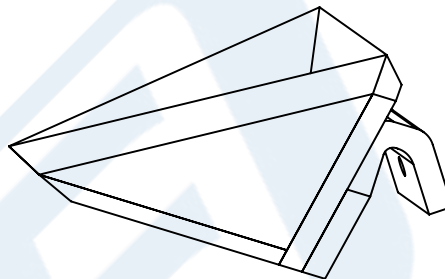
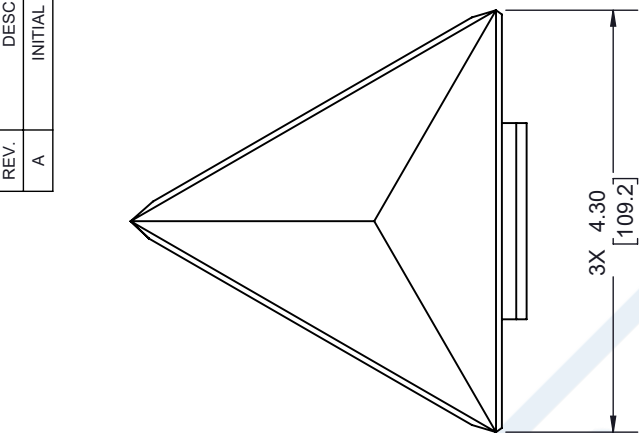
URL: <https://www.pasternack.com/4.3-inch-edge-length-trihedral-corner-reflector-aluminum-body-gold-finish-pewr10004-p.aspx>

The information contained in this document is accurate to the best of our knowledge and representative of the part described herein. It may be necessary to make modifications to the part and/or the documentation of the part, in order to implement improvements. Pasternack reserves the right to make such changes as required. Unless otherwise stated, all specifications are nominal. Pasternack does not make any representation or warranty regarding the suitability of the part described herein for any particular purpose, and Pasternack does not assume any liability arising out of the use of any part or documentation.

# PEWRL0004 CAD Drawing

4.3 inch Edge Length, Trihedral Corner Reflector, 1/4-20 Threaded Hole Mount, Aluminum Body, Gold Chem Film Finish

REVISIONS		
REV.	DESCRIPTION	DATE
A	INITIAL RELEASE	09/09/19
		APPROVED
		M. MILLER



UNLESS OTHERWISE SPECIFIED  
LEADING DIMENSIONS ARE INCHES  
DIMENSIONS IN [ ] ARE MILLIMETERS

TOLERANCES:  
X±.2 [5.08] FRACTIONS ±1/32  
XX±.01 [.25] ANGLES ±1°  
XXX±.005 [0.13] ARE FOR REFERENCE ONLY.

ALL DIMENSIONS SHOWN  
ARE FOR REFERENCE ONLY.

THIRD-ANGLE PROJECTION

**(PE) PASTERNAK**  
an INFINITO brand

Pasternack Enterprises, Inc.  
P. O. Box 16759, Irvine, CA 92623.  
Phone: 1.949.261.1920 | 1.866.727.8376  
Fax: 1.949.261.7451  
www.pasternack.com | e-mail: sales@pasternack.com

THE INFORMATION AND DESIGN IN THIS DOCUMENT IS THE PROPERTY OF PASTERNAK CORPORATION. ALL RIGHTS RESERVED.

SHEET 1 OF 1  
SCALE N/A

SIZE CAGE DRAWN BY PART NUMBER  
A 53919 K.DANG PEWRL0004 REV A

**LABEL**  
PASTERNAK  
PEWRL0004  
D/C: YYWW

THESE COMMODITIES, TECHNOLOGY OR SOFTWARE WERE EXPORTED FROM THE UNITED STATES IN ACCORDANCE WITH THE EXPORT ADMINISTRATION REGULATIONS. DIVERSION CONTRARY TO U.S. LAW PROHIBITED.