



8.9 inch Edge Length, Trihedral Corner Reflector, 1/4-20 Threaded Hole Mount, Aluminum Body, Gold Chem Film Finish

TECHNICAL DATA SHEET

PEWRL0008

Pasternack's PEWRL0008 is an 8.9" Edge Length Trihedral Corner Reflector with an aluminum construction and a gold chemical film finish. PEWRL0008 can be used for Radar systems calibrations and can simulate radar target precisely. The trihedral reflector has a 1/4-20 threaded hole for a built in mounting bracket and can be mounted onto a tripod for rapid system setups.

Features

- 8.9" Edge Length
- Compact Size
- High RCS
- Rugged Configuration

Applications

- Radar System Calibration
- Radar Target Simulator
- Radar System Evaluation

Product Configuration

Design: Trihedral Corner Reflector

Mechanical Specifications

Description	Value	[Metric]
Edge Length	8.9 in	[226.06 mm]
Length	4.21 in	[106.93 mm]
Width	8.9 in	[226.06 mm]
Height	7.88 in	[200.15 mm]
Weight	1.8 lbs	[816.47 g]

Click the following link (or enter part number in "SEARCH" on website) to obtain additional part information including price, inventory and certifications: [8.9 inch Edge Length, Trihedral Corner Reflector, 1/4-20 Threaded Hole Mount, Aluminum Body, Gold Chem Film Finish PEWRL0008](#)



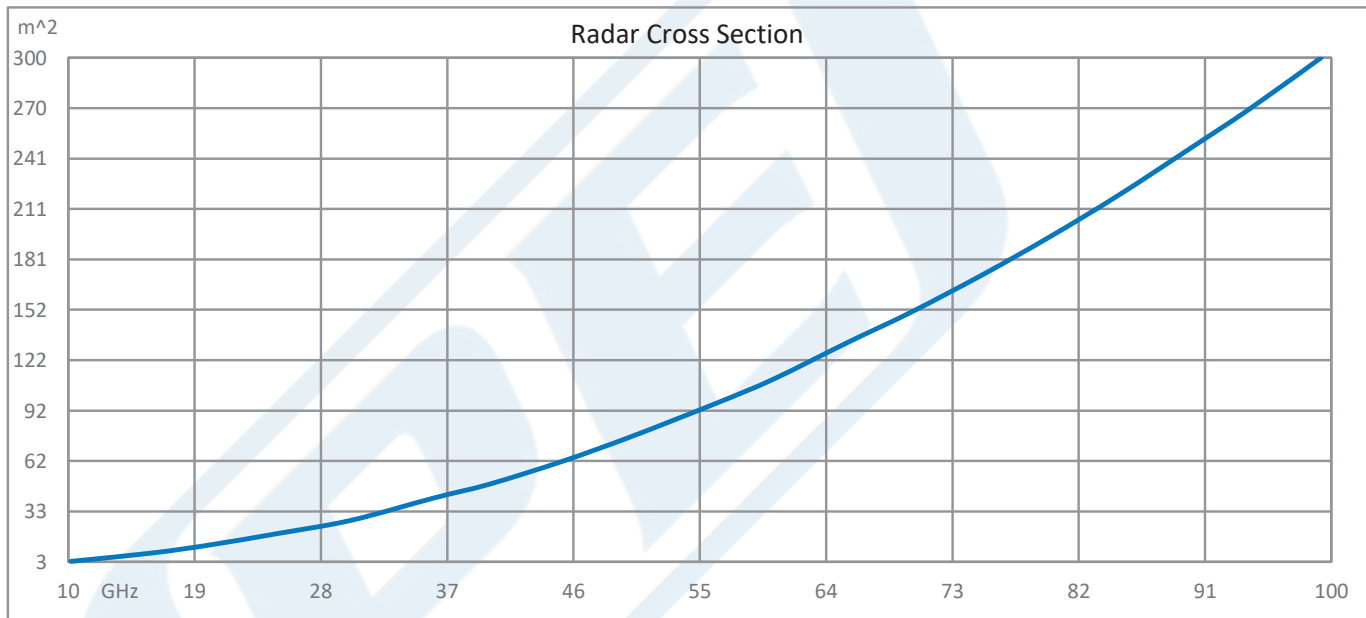
8.9 inch Edge Length, Trihedral Corner Reflector, 1/4-20 Threaded Hole Mount, Aluminum Body, Gold Chem Film Finish

TECHNICAL DATA SHEET PEWRL0008

Environmental

RoHS Yes

Plotted and Other Data



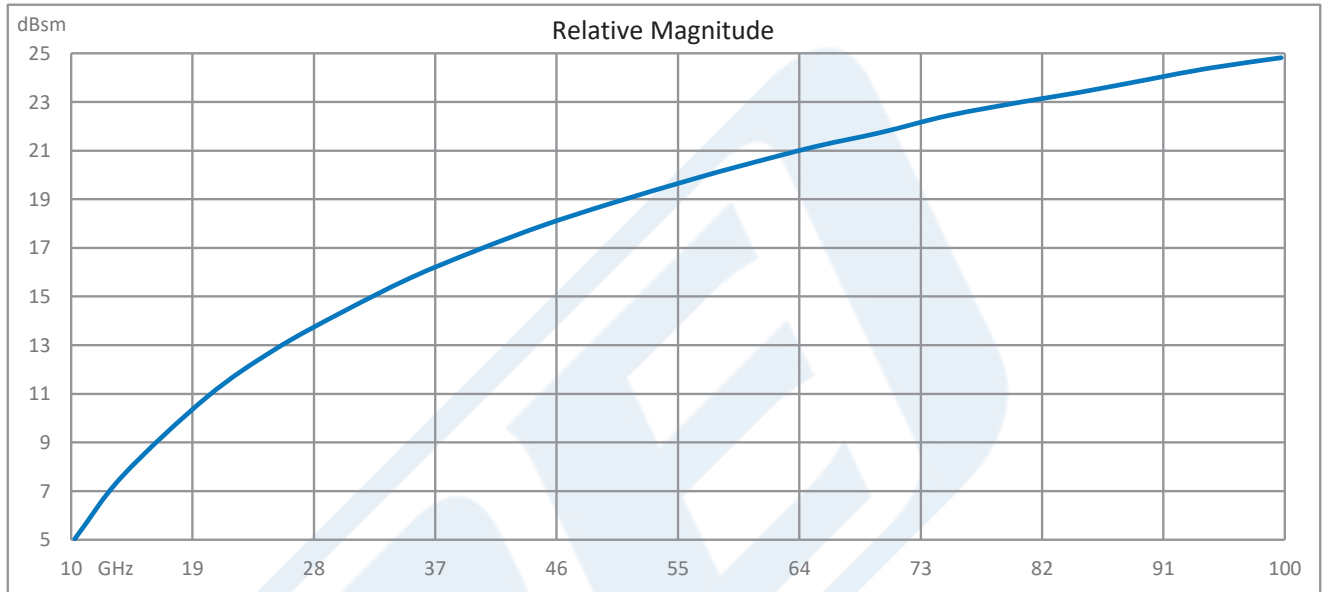
Click the following link (or enter part number in "SEARCH" on website) to obtain additional part information including price, inventory and certifications: [8.9 inch Edge Length, Trihedral Corner Reflector, 1/4-20 Threaded Hole Mount, Aluminum Body, Gold Chem Film Finish PEWRL0008](#)



8.9 inch Edge Length, Trihedral Corner Reflector, 1/4-20 Threaded Hole Mount, Aluminum Body, Gold Chem Film Finish

TECHNICAL DATA SHEET

PEWRL0008



8.9 inch Edge Length, Trihedral Corner Reflector, 1/4-20 Threaded Hole Mount, Aluminum Body, Gold Chem Film Finish from Pasternack Enterprises has same day shipment for domestic and International orders. Our RF, microwave and millimeter wave products maintain a 99.4% availability and are part of the broadest selection in the industry.

Click the following link (or enter part number in "SEARCH" on website) to obtain additional part information including price, inventory and certifications: [8.9 inch Edge Length, Trihedral Corner Reflector, 1/4-20 Threaded Hole Mount, Aluminum Body, Gold Chem Film Finish PEWRL0008](https://www.pasternack.com/8.9-inch-edge-length-trihedral-corner-reflector-aluminum-body-gold-finish-pewr0008-p.aspx)

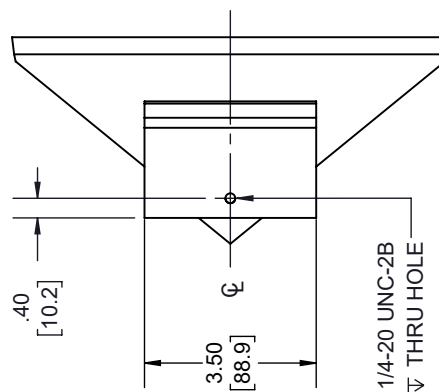
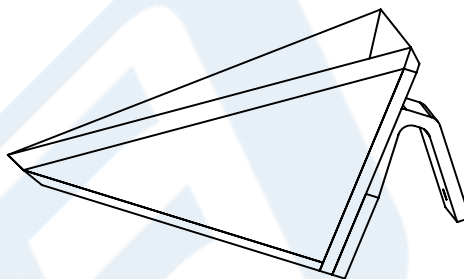
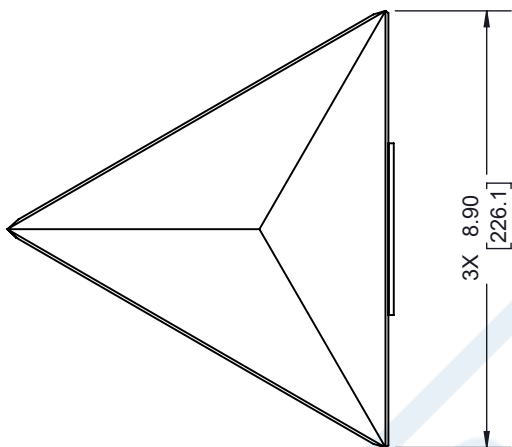
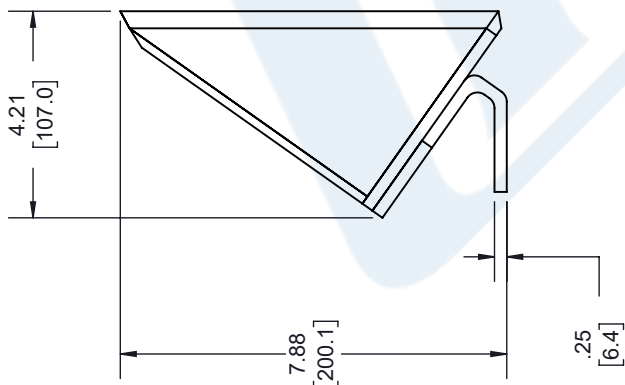
URL: <https://www.pasternack.com/8.9-inch-edge-length-trihedral-corner-reflector-aluminum-body-gold-finish-pewr0008-p.aspx>

The information contained in this document is accurate to the best of our knowledge and representative of the part described herein. It may be necessary to make modifications to the part and/or the documentation of the part, in order to implement improvements. Pasternack reserves the right to make such changes as required. Unless otherwise stated, all specifications are nominal. Pasternack does not make any representation or warranty regarding the suitability of the part described herein for any particular purpose, and Pasternack does not assume any liability arising out of the use of any part or documentation.

PEWRL0008 CAD Drawing

8.9 inch Edge Length, Trihedral Corner Reflector, 1/4-20 Threaded Hole Mount, Aluminum Body, Gold Chem Film Finish

REVISIONS			
REV.	DESCRIPTION	DATE	APPROVED
A	INITIAL RELEASE	09/09/19	M.MILLER



UNLESS OTHERWISE SPECIFIED LEADING DIMENSIONS ARE INCHES DIMENSIONS IN [] ARE MILLIMETERS TOLERANCES: X±.2 [5.08] FRACTIONS ±1/32 XX±.01 [.25] ANGLES ± 1° XXX±.005 [0.13]	PE PASTERNAK an INFINITE brand Pasternack Enterprises, Inc. P.O. Box 16759, Irvine, CA 92623. Phone: 1.949.261.1920 1.866.727.8376 Fax: 1.949.261.7451 www.pasternack.com e-mail: sales@pasternack.com		THE INFORMATION AND DESIGN IN THIS DOCUMENT IS THE PROPERTY OF PASTERNAK CORPORATION. ALL RIGHTS RESERVED. SHEET 1 OF 1 SCALE N/A
	SIZE A CAGE 53919 DRAWN BY K.DANG PART NUMBER PEWRL0008	REV A	www.pasternack.com e-mail: sales@pasternack.com SIZE A CAGE 53919 DRAWN BY K.DANG PART NUMBER PEWRL0008

LABEL
 PASTERNAK
 PEWRL0008
 D/C: YYWW

THESE COMMODITIES, TECHNOLOGY OR SOFTWARE WERE EXPORTED FROM THE UNITED STATES IN ACCORDANCE WITH THE EXPORT ADMINISTRATION REGULATIONS. DIVERSION CONTRARY TO U.S. LAW PROHIBITED.