



4 Watts Low Power Commercial Grade
WR-90 Waveguide Load 8.2 GHz to 12.4 GHz

Waveguide Terminations Technical Data Sheet

PEWTR1006

Features

- WR-90
- 8.2 GHz to 12.4 GHz
- UG-39/U Square Cover Flange
- 1.02:1 Typical VSWR
- 4 Watts Average Power Handling

Applications

- Radar Systems
- Military and Space
- Wireless Radio Systems
- Telecom Infrastructure
- Communication Systems
- R&D Labs
- Microwave Radio Systems

Description

The PEWTR1006 is a WR-90 waveguide termination / load that operates in the frequency range of 8.2 GHz to 12.4 GHz. This WR-90 waveguide termination has a typical VSWR of 1.02:1. These waveguide termination designs are made of painted brass copper and incorporate a standard UG-39/U Square Cover flanges.

Pasternack waveguide terminations / loads are designed so virtually all applied power is absorbed, thus assuring a low VSWR. The power rating on this WR-90 termination is 4 watts, other detailed specifications and a diagram drawing can be found on this datasheet PDF below. Pasternack offers a complete family of waveguide terminations that are in-stock for same day shipment.

Electrical Specifications

Description	Minimum	Typical	Maximum	Units
Frequency Range	8.2		12.4	GHz
VSWR		1.02:1		
Input Power (CW)			4	Watts

Mechanical Specifications

Weight 0.387 lbs [175.54 g]

Description	Flange	Waveguide
Designation	UG-39/U	WR-90
Type	Square Cover	
Material	Brass	Brass

Environmental Specifications

Click the following link (or enter part number in "SEARCH" on website) to obtain additional part information including price, inventory and certifications: [4 Watts Low Power Commercial Grade WR-90 Waveguide Load 8.2 GHz to 12.4 GHz PEWTR1006](#)



4 Watts Low Power Commercial Grade
WR-90 Waveguide Load 8.2 GHz to 12.4 GHz

Waveguide Terminations Technical Data Sheet

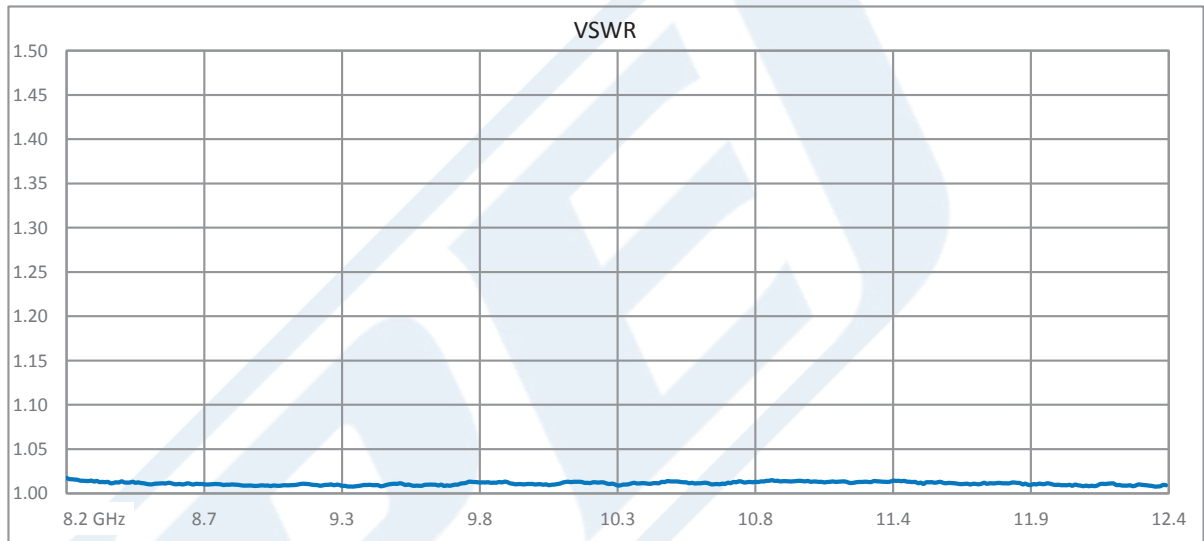
PEWTR1006

Compliance Certifications (see [product page](#) for current document)

Plotted and Other Data

Notes:

Typical Performance Data



4 Watts Low Power Commercial Grade WR-90 Waveguide Load 8.2 GHz to 12.4 GHz from Pasternack Enterprises has same day shipment for domestic and International orders. Our RF, microwave and millimeter wave products maintain a 99% availability and are part of the broadest selection in the industry.

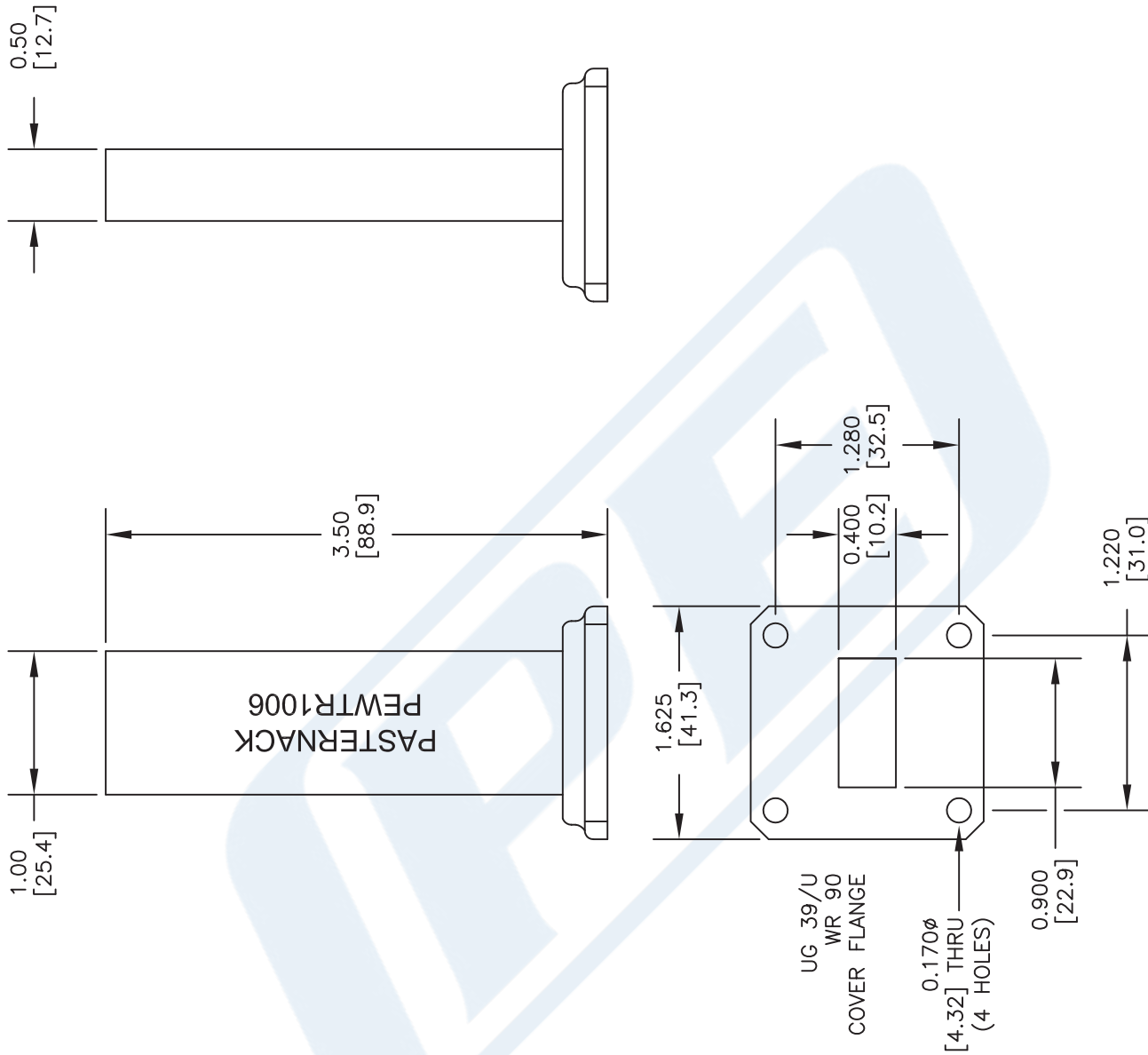
Click the following link (or enter part number in "SEARCH" on website) to obtain additional part information including price, inventory and certifications: [4 Watts Low Power Commercial Grade WR-90 Waveguide Load 8.2 GHz to 12.4 GHz PEWTR1006](#)

URL: <https://www.pasternack.com/4-watts-wr-90-rf-load-8.2-12.4-ghz-commercial-grade-pewtr1006-p.aspx>

The information contained in this document is accurate to the best of our knowledge and representative of the part described herein. It may be necessary to make modifications to the part and/or the documentation of the part, in order to implement improvements. Pasternack reserves the right to make such changes as required. Unless otherwise stated, all specifications are nominal. Pasternack does not make any representation or warranty regarding the suitability of the part described herein for any particular purpose, and Pasternack does not assume any liability arising out of the use of any part or documentation.

PEWTR1006 CAD Drawing

4 Watts Low Power Commercial Grade WR-90 Waveguide Load 8.2 GHz to 12.4 GHz



STANDARD TOLERANCES

.X ± 0.2
.XX ± 0.1
.XXX ± 0.05

*STANDARD TOLERANCES APPLY ONLY TO DIMENSIONS IN INCHES

DWG TITLE

PEWTR1006

NOTES:
1. UNLESS OTHERWISE SPECIFIED ALL DIMENSIONS ARE NOMINAL.
2. ALL SPECIFICATIONS ARE SUBJECT TO CHANGE WITHOUT NOTICE AT ANY TIME.
3. DIMENSIONS ARE IN INCHES [mm].

PE PASTERNAK
THE ENGINEER'S RF SOURCE

Pasternack Enterprises, Inc.
P.O. Box 16759 | Irvine | CA | 92623
Phone: (949) 261-1920 | Fax: (949) 261-7451
Website: www.pasternack.com | E-Mail: sales@pasternack.com

CAGE CODE 53919

CAD FILE 121916

SCALE N/A

SIZE A

2233