



75 Ohm 1.6/5.6 Jack Bulkhead Connector Crimp/
Solder Attachment For RG59, .362 inch DD Hole

TECHNICAL DATA SHEET

PE44267

75 Ohm 1.6/5.6 Jack Bulkhead Connector Crimp/Solder Attachment For RG59, .362 inch DD Hole

Configuration

Connector	1.6/5.6 Jack
Connector Interface Type	RG59
Cable Attachment Method (Shield/Contact)	Crimp/Solder
Body Style	Straight
Mount Method	Bulkhead

Electrical Specifications

Impedance, Ohms	75
-----------------	----

Mechanical Specifications

Size

Length, in [mm]	1.17 [29.72]
Width/Dia., in [mm]	0.433 [11.00]
Weight, lbs [g]	0.013 [5.9]

Connector

Type	1.6/5.6 Jack
Contact Material and Plating	Phosphor Bronze, Gold
Contact Plating Specification	3µ in. minimum
Body Material and Plating	Brass, Nickel
Body Plating Specification	100µ in. minimum
Dielectric Type	Teflon

Compliance Certifications (visit www.Pasternack.com for current document)

RoHS Compliant	Yes
----------------	-----

Plotted and Other Data

Notes:	Values at 25 °C, sea level
--------	----------------------------

75 Ohm 1.6/5.6 Jack Bulkhead Connector Crimp/Solder Attachment For RG59, .362 inch DD Hole from Pasternack Enterprises has same day shipment for domestic and International orders. Our RF, microwave and fiber optic products maintain a 99% availability and are part of the broadest selection in the industry.

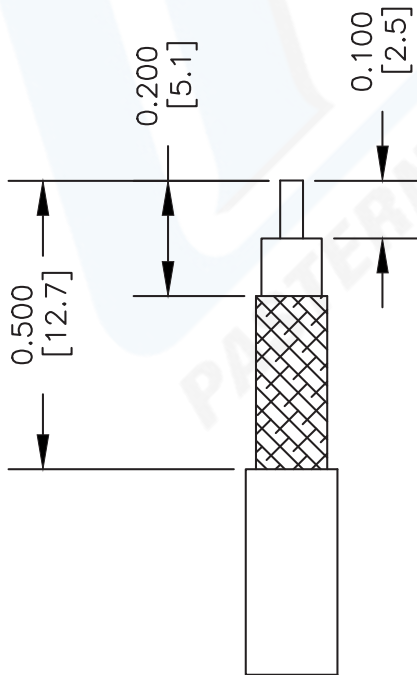
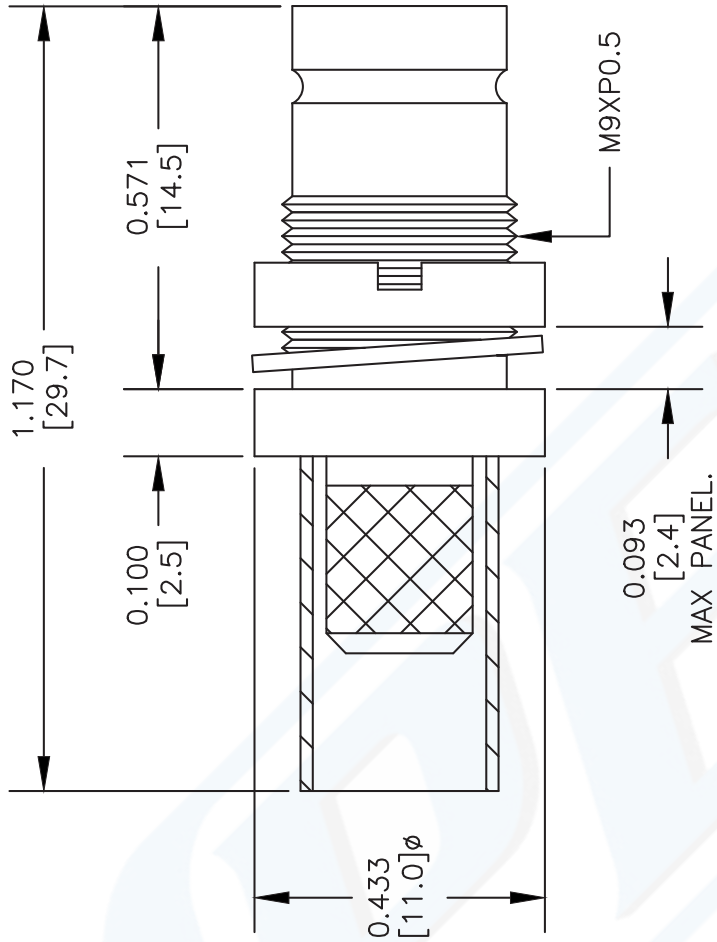
Click the following link (or enter part number in "SEARCH" on website) to obtain additional part information including price, inventory and certifications: [75 Ohm 1.6/5.6 Jack Bulkhead Connector Crimp/Solder Attachment For RG59, .362 inch DD Hole PE44267](http://www.pasternack.com/1.6-5.6-jack-standard-rg59-connector-pe44267-p.aspx)

URL: <http://www.pasternack.com/1.6-5.6-jack-standard-rg59-connector-pe44267-p.aspx>

The information contained in this document is accurate to the best of our knowledge and representative of the part described herein. It may be necessary to make modifications to the part and/or the documentation of the part, in order to implement improvements. Pasternack reserves the right to make such changes as required. Unless otherwise stated, all specifications are nominal.

PE44267 CAD Drawing

75 Ohm 1.6/5.6 Jack Bulkhead Connector Crimp/Solder
Attachment For RG59, .362 inch DD Hole



STRIPPING DIMENSIONS

CRIMP SIZE REQUIRED

CONTACT: SOLDER
FERRULE: .255" HEX CRIMP TOOL

DWG TITLE

PE44267

- NOTES:
1. UNLESS OTHERWISE SPECIFIED ALL DIMENSIONS ARE NOMINAL.
 2. ALL SPECIFICATIONS ARE SUBJECT TO CHANGE WITHOUT NOTICE AT ANY TIME.
 3. DIMENSIONS ARE IN INCHES [mm].
 4. FITS MIL-C-17 AND EQUIVALENT CABLES.

FSCM NO. 53919

CAD FILE 070202

SCALE N/A

SIZE A

XXXX

PE PASTERNAK

Pasternack Enterprises, Inc.
P.O. Box 16759 | Irvine | CA | 92623
Phone: (949) 261-1920 | Fax: (949) 261-7451
Website: www.pasternack.com | E-Mail: sales@pasternack.com