



75 Ohm F Male Connector Twist Attachment  
for RG59, RG62, RG71

RF Connectors Technical Data Sheet

PE44318

**Configuration**

- F Male Connector
- 75 Ohms
- Straight Body Geometry
- RG59, RG62, RG71 Interface Type
- Twist Attachment

**Applications**

- General Purpose Test
- Custom Cable Assemblies
- CATV

**Description**

Pasternack's PE44318 75 ohm type F male connector with twist attachment for RG59, RG62 and RG71 is part of our full line of RF components available for same-day shipping.

Our 75 ohm type F male connector PE44318 datasheet specifications and drawing with dimensions are shown below in this PDF. Pasternack's broad catalog of RF, microwave and millimeter wave connectors allows designers to configure and customize their signal connections however they like. Whether the need is to provide an I/O for a board design, or simply create a custom cable assembly configuration, Pasternack has the right connector for the job. Pasternack can also expertly build your custom cable assemblies for you and ship same-day.

**Mechanical Specifications**

**Size**

- Length 0.79 in [20.07 mm]
- Width/Dia. 0.433 in [11.00 mm]
- Weight 0.137 lbs [62.14 g]

**Material Specifications**

Description	Material	Plating
Body	Brass	Nickel
Coupling Nut	Brass	Nickel

Click the following link (or enter part number in "SEARCH" on website) to obtain additional part information including price, inventory and certifications: [75 Ohm F Male Connector Twist Attachment for RG59, RG62, RG71 PE44318](#)



## 75 Ohm F Male Connector Twist Attachment for RG59, RG62, RG71

### RF Connectors Technical Data Sheet

PE44318

**Compliance Certifications** (see [product page](#) for current document)

#### Plotted and Other Data

Notes:

75 Ohm F Male Connector Twist Attachment for RG59, RG62, RG71 from Pasternack Enterprises has same day shipment for domestic and International orders. Our RF, microwave and millimeter wave products maintain a 99% availability and are part of the broadest selection in the industry.

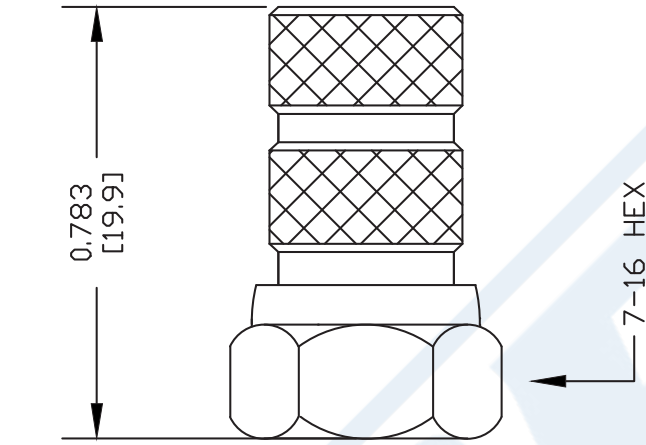
Click the following link (or enter part number in "SEARCH" on website) to obtain additional part information including price, inventory and certifications: [75 Ohm F Male Connector Twist Attachment for RG59, RG62, RG71 PE44318](#)

URL: <https://www.pasternack.com/f-male-standard-rg59-rg62-connector-pe44318-p.aspx>

The information contained in this document is accurate to the best of our knowledge and representative of the part described herein. It may be necessary to make modifications to the part and/or the documentation of the part, in order to implement improvements. Pasternack reserves the right to make such changes as required. Unless otherwise stated, all specifications are nominal. Pasternack does not make any representation or warranty regarding the suitability of the part described herein for any particular purpose, and Pasternack does not assume any liability arising out of the use of any part or documentation.

# PE44318 CAD Drawing

75 Ohm F Male Connector Twist Attachment for RG59, RG62, RG71



## STRIPPING DIMENSIONS

## ASSEMBLY PROCEDURES

1. STRIP CABLE AS SHOWN.
2. SCREW CONNECTOR OVER CABLE UNTIL DIELECTRIC IS FLUSH WITH BODY SHOULDER.

DWG TITLE

**PE44318**

FSCM NO. 53919

NOTES:  
 1. UNLESS OTHERWISE SPECIFIED ALL DIMENSIONS ARE NOMINAL.  
 2. ALL SPECIFICATIONS ARE SUBJECT TO CHANGE WITHOUT NOTICE AT ANY TIME.  
 3. DIMENSIONS ARE IN INCHES [mm].  
 4. FITS MIL-C-17 AND EQUIVALENT CABLES.

CAD FILE 121802

SCALE N/A

SIZE A

127



**PASTERNAK®**  
 Pasternack Enterprises, Inc.  
 P.O. Box 16759 | Irvine | CA | 92623  
**Phone:** (949) 261-1920 | **Fax:** (949) 261-7451  
**Website:** www.pasternack.com | **E-Mail:** sales@pasternack.com