



High Power 100 Watts RF Load Up To 2 GHz With N Female Input Conduction Cooled Body Black Oxide Aluminum Heatsink

TECHNICAL DATA SHEET PE6042

Configuration

Connector	N Female
Heat Sink	Black Oxide Aluminum Heatsink
Connection Method	Standard
Body Style	Straight

Electrical Specifications

Frequency Range, GHz	DC to 2
Impedance, Ohms	50
Maximum VSWR	1.2:1
Maximum Input Power, Watts	100
Peak Power, KWatts	1

Mechanical Specifications

Size

Length, in [mm]	5.865 [148.97]
Width/Dia., in [mm]	4.76 [120.9]
Height, in [mm]	4.76 [120.9]

Connector

Type	N Female
------	----------

Compliance Certifications (visit www.Pasternack.com for current document)

RoHS Compliant	Yes
----------------	-----

Plotted and Other Data

Notes:	Values at 25 °C, sea level
--------	----------------------------

High Power 100 Watts RF Load Up To 2 GHz With N Female Input Conduction Cooled Body Black Oxide Aluminum Heatsink from Pasternack Enterprises has same day shipment for domestic and International orders. Our RF, microwave and fiber optic products maintain a 99% availability and are part of the broadest selection in the industry.

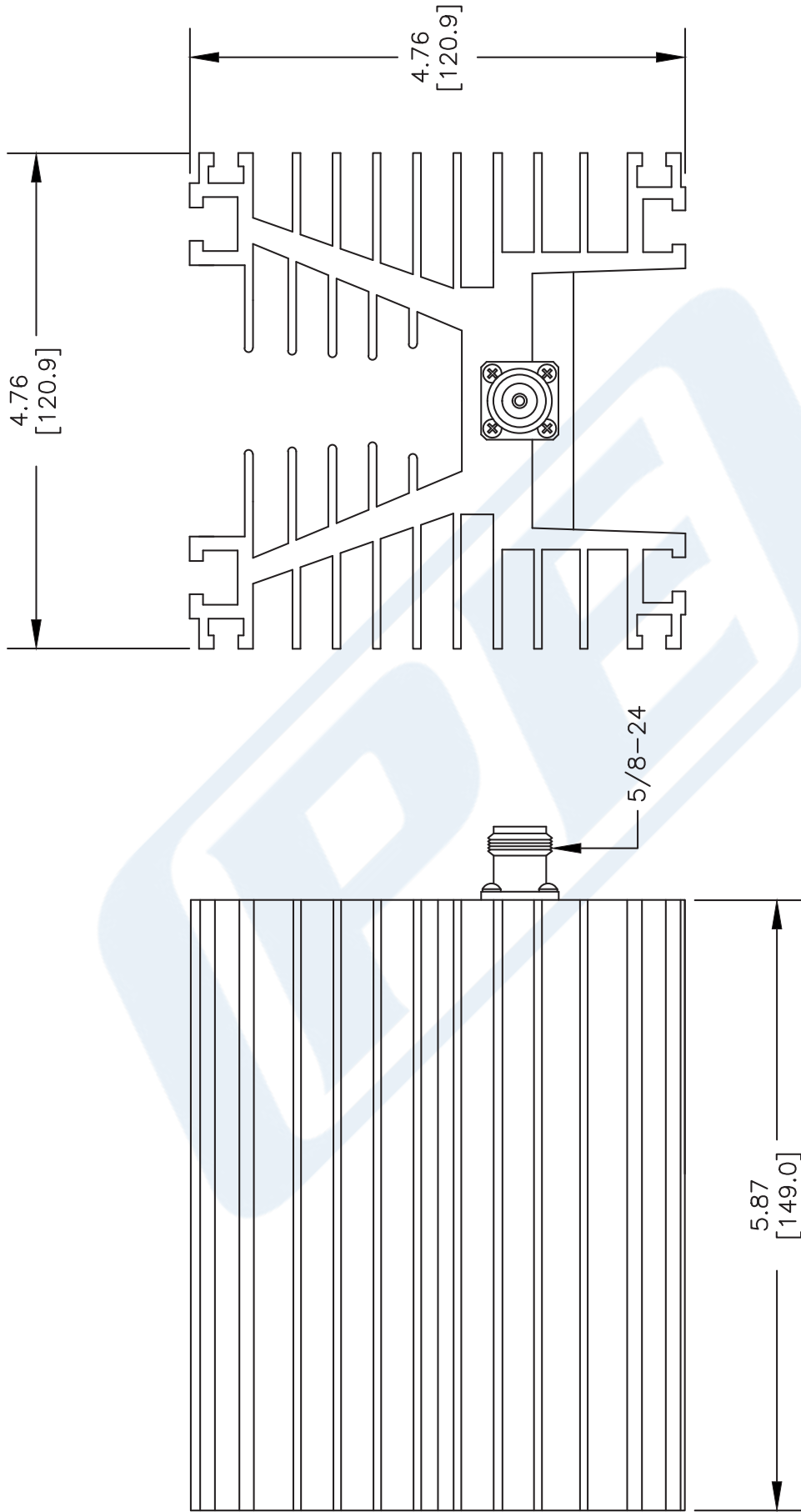
Click the following link (or enter part number in "SEARCH" on website) to obtain additional part information including price, inventory and certifications: [High Power 100 Watts RF Load Up To 2 GHz With N Female Input Conduction Cooled Body Black Oxide Aluminum Heatsink PE6042](http://www.pasternack.com/100-watts-n-female-rf-load-up-to-2-ghz-pe6042-p.aspx)

URL: <http://www.pasternack.com/100-watts-n-female-rf-load-up-to-2-ghz-pe6042-p.aspx>

The information contained in this document is accurate to the best of our knowledge and representative of the part described herein. It may be necessary to make modifications to the part and/or the documentation of the part, in order to implement improvements. Pasternack reserves the right to make such changes as required. Unless otherwise stated, all specifications are nominal.

PE6042 CAD Drawing

High Power 100 Watts RF Load Up To 2 GHz With N Female Input
Conduction Cooled Body Black Oxide Aluminum Heatsink



NOTES:
1. UNLESS OTHERWISE SPECIFIED ALL DIMENSIONS ARE NOMINAL.
2. ALL SPECIFICATIONS ARE SUBJECT TO CHANGE WITHOUT NOTICE AT ANY TIME.
3. DIMENSIONS ARE IN INCHES [mm].

DWG TITLE
PE6042

REV. A FSCM NO. 53919

CAD FILE 022013-A SCALE N/A SIZE A 127

PE PASTERNAK®
Pasternack Enterprises, Inc.
P.O. Box 16759 | Irvine | CA | 92623
Phone: (949) 261-1920 | Fax: (949) 261-7451
Website: www.pasternack.com | E-Mail: sales@pasternack.com