



Mini SMP Female to Mini SMP Female Adapter

TECHNICAL DATA SHEET

PE9780

Mini SMP Female to Mini SMP Female Adapter

Configuration

| | |
|---------------------------|-----------------|
| Connector 1 | Mini SMP Female |
| Impedance 1 | 50 Ohms |
| Connector Specification 1 | MIL-STD-348A |
| Connector 2 | Mini SMP Female |
| Impedance 2 | 50 Ohms |
| Connector Specification 2 | MIL-STD-348A |
| Adapter Design | Standard |
| Body Style | Straight |

Electrical Specifications

| | |
|----------------------------------|----------|
| Frequency Range, GHz | DC to 65 |
| Maximum Operating Voltage, Volts | 325 |

Frequency 1

| | |
|--------------------|----------|
| Frequency, GHz | DC to 18 |
| VSWR | 1.11:1 |
| Return Loss, dB | 26 |
| Insertion Loss, dB | 0.21 |

Frequency 2

| | |
|--------------------|------------|
| Frequency, GHz | 18 to 26.5 |
| VSWR | 1.43:1 |
| Return Loss, dB | 15 |
| Insertion Loss, dB | 0.26 |

Frequency 3

| | |
|--------------------|------------|
| Frequency, GHz | 26.5 to 50 |
| VSWR | 1.58:1 |
| Return Loss, dB | 13 |
| Insertion Loss, dB | 0.35 |

Mechanical Specifications

Temperature

| | |
|------------------------|-------------|
| Operating Range, deg C | -55 to +155 |
|------------------------|-------------|

Size

| | |
|---------------------|-------------|
| Length, in [mm] | 0.21 [5.33] |
| Width/Dia., in [mm] | 0.11 [2.79] |

Connector 1

| | |
|------|-----------------|
| Type | Mini SMP Female |
|------|-----------------|

Click the following link (or enter part number in "SEARCH" on website) to obtain additional part information including price, inventory and certifications: [Mini SMP Female to Mini SMP Female Adapter PE9780](#)

The information contained in this document is accurate to the best of our knowledge and representative of the part described herein. It may be necessary to make modifications to the part and/or the documentation of the part, in order to implement improvements. Pasternack reserves the right to make such changes as required. Unless otherwise stated, all specifications are nominal.



Mini SMP Female to Mini SMP Female Adapter

TECHNICAL DATA SHEET

PE9780

Inner Conductor Material and Plating
Body Material and Plating
Dielectric Type

Beryllium Copper, Gold
Beryllium Copper, Gold
PTFE

Connector 2

Type
Inner Conductor Material and Plating
Body Material and Plating
Dielectric Type

Mini SMP Female
Beryllium Copper, Gold
Beryllium Copper, Gold
PTFE

Compliance Certifications (visit www.Pasternack.com for current document)

RoHS Compliant

Yes

Plotted and Other Data

Notes:

Values at 25 °C, sea level

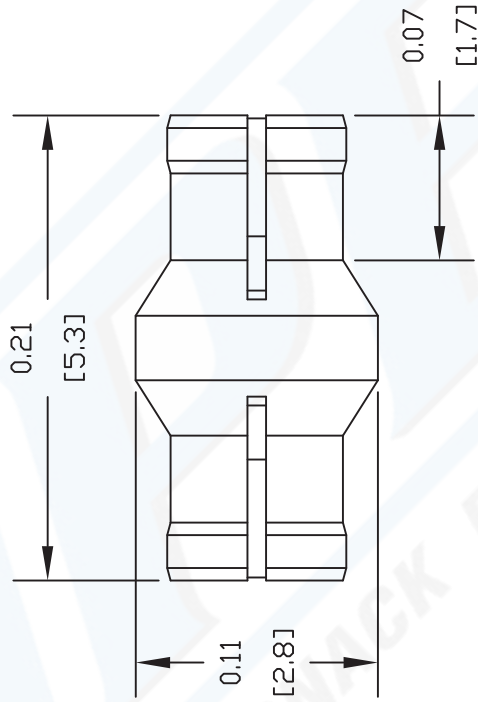
URL: <http://www.pasternack.com/mini-smp-female-mini-smp-female-straight-adapter-pe9780-p.aspx>

Mini SMP Female to Mini SMP Female Adapter from Pasternack Enterprises has same day shipment for domestic and International orders. Our RF, microwave and fiber optic products maintain a 99% availability and are part of the broadest selection in the industry.

The information contained in this document is accurate to the best of our knowledge and representative of the part described herein. It may be necessary to make modifications to the part and/or the documentation of the part, in order to implement improvements. Pasternack reserves the right to make such changes as required. Unless otherwise stated, all specifications are nominal.

PE9780 CAD Drawing

Mini SMP Female to Mini SMP Female Adapter



NOTES:
 1. UNLESS OTHERWISE SPECIFIED ALL DIMENSIONS ARE NOMINAL.
 2. ALL SPECIFICATIONS ARE SUBJECT TO CHANGE WITHOUT NOTICE AT ANY TIME.
 3. DIMENSIONS ARE IN INCHES [mm].

DWG TITLE
PE9780

PASTERNAK ENTERPRISES, INC.
 P.O. BOX 16759, IRVINE, CA 92623
 PHONE (949) 261-1920 FAX (949) 261-7451
 WEB ADDRESS: www.pasternack.com
 E-MAIL ADDRESS: sales@pasternack.com
COAXIAL & FIBER OPTICS



| | | | | | |
|--------|----------------|-----------------|-----------|--------|-----|
| REV. - | FSCM NO. 53919 | CAD FILE 091406 | SCALE N/A | SIZE A | 127 |
|--------|----------------|-----------------|-----------|--------|-----|