



## BNC Male Right Angle Connector Clamp/ Solder Attachment for RG58

### RF Connectors Technical Data Sheet

**M39012/20-0101**

#### Configuration

- BNC Male Connector
- 50 Ohms
- Right Angle Body Geometry
- Connector Interface Types: RG58
- 11/16 inch Hex

#### Features

- Max. Operating Frequency 4 GHz
- Excellent VSWR of 1.25:1
- Gold Plated Beryllium Copper Contact
- QPL Part

#### Applications

- General Purpose Test
- Custom Cable Assemblies

#### Description

Pasternack's M39012/20-0101 BNC male connector is part of our full line of RF components available for same-day shipping. Our BNC male connector operates up to a maximum frequency of 4 GHz and offers excellent VSWR of 1.25:1. Its right angle body geometry allows for easier connections in tight spaces.

Our BNC male right angle connector M39012/20-0101 datasheet specifications and drawing with dimensions are shown below in this PDF. Pasternack's broad catalog of RF, microwave and millimeter wave connectors allows designers to configure and customize their signal connections however they like. Whether the need is to provide an I/O for a board design, or simply create a custom cable assembly configuration, Pasternack has the right connector for the job. Pasternack can also expertly build your custom cable assemblies for you and ship same-day.

#### Electrical Specifications

Description	Minimum	Typical	Maximum	Units
Frequency Range	DC		4	GHz
VSWR			1.25:1	
Impedance		50		Ohms
Dielectric Withstanding Voltage (AC)			1,500	Vrms

#### Mechanical Specifications

Size	
Length	1.63 in [41.40 mm]
Width	0.56 in [14.22 mm]
Height	1.09 in [27.69 mm]
Weight	0.07 lbs [29.48 g]

Click the following link (or enter part number in "SEARCH" on website) to obtain additional part information including price, inventory and certifications: [BNC Male Right Angle Connector Clamp/Solder Attachment for RG58 M39012/20-0101](#)



BNC Male Right Angle Connector Clamp/  
Solder Attachment for RG58

**RF Connectors**  
**Technical Data Sheet**

**M39012/20-0101**

**Material Specifications**

Description	Material	Plating
Contact	Beryllium Copper	Gold
Insulation	PTFE	
Outer Conductor	Brass	Silver
Body	Brass	Silver

**Environmental Specifications**

**Compliance Certifications** (see [product page](#) for current document)

**Plotted and Other Data**

Notes:

Click the following link (or enter part number in "SEARCH" on website) to obtain additional part information including price, inventory and certifications: [BNC Male Right Angle Connector Clamp/Solder Attachment for RG58 M39012/20-0101](#)

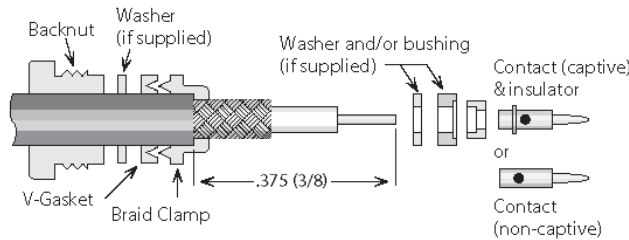


**BNC Male Right Angle Connector Clamp/  
Solder Attachment for RG58**

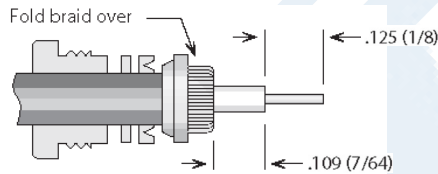
**RF Connectors  
Technical Data Sheet**

**M39012/20-0101**

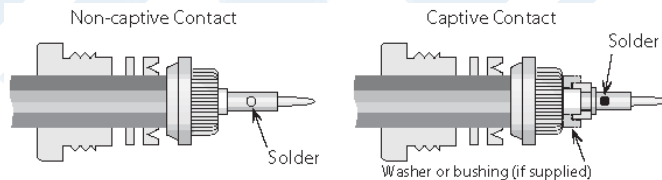
**Assembly Instruction**



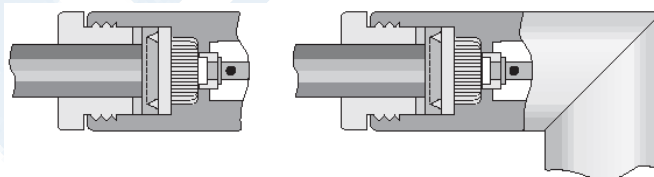
- 1) Trim cable jacket to dimension A. Slide backnut, washer, V-gasket, and braid clamp onto cable as shown. Cable jacket should bottom on step in braid clamp.



- 2) Comb braid wires out straight and fold back over front shoulder of braid clamp (braid wires should not overlap one another after folding). Trim braid wires flush with step of braid clamp. Trim cable dielectric and center conductor to dimensions B and C.



- 3) If support insulator is provided for RG-62 or 71 cable, insert into hollow in dielectric. Assemble rear bushing or washer (if supplied), rear insulator (if captive contact) and contact, and solder contact to center conductor. Rear of contact should be flush with cable dielectric end. For right angle connectors with access cap, omit this step entirely.



- 4) Insert prepared cable and hardware into body and tighten backnut. For right angle connectors with access cap, solder center conductor into slot in contact and tighten access cap.

Click the following link (or enter part number in "SEARCH" on website) to obtain additional part information including price, inventory and certifications: [BNC Male Right Angle Connector Clamp/Solder Attachment for RG58 M39012/20-0101](#)



## BNC Male Right Angle Connector Clamp/ Solder Attachment for RG58

### RF Connectors Technical Data Sheet

**M39012/20-0101**

BNC Male Right Angle Connector Clamp/Solder Attachment for RG58 from Pasternack Enterprises has same day shipment for domestic and International orders. Our RF, microwave and millimeter wave products maintain a 99.4% availability and are part of the broadest selection in the industry.

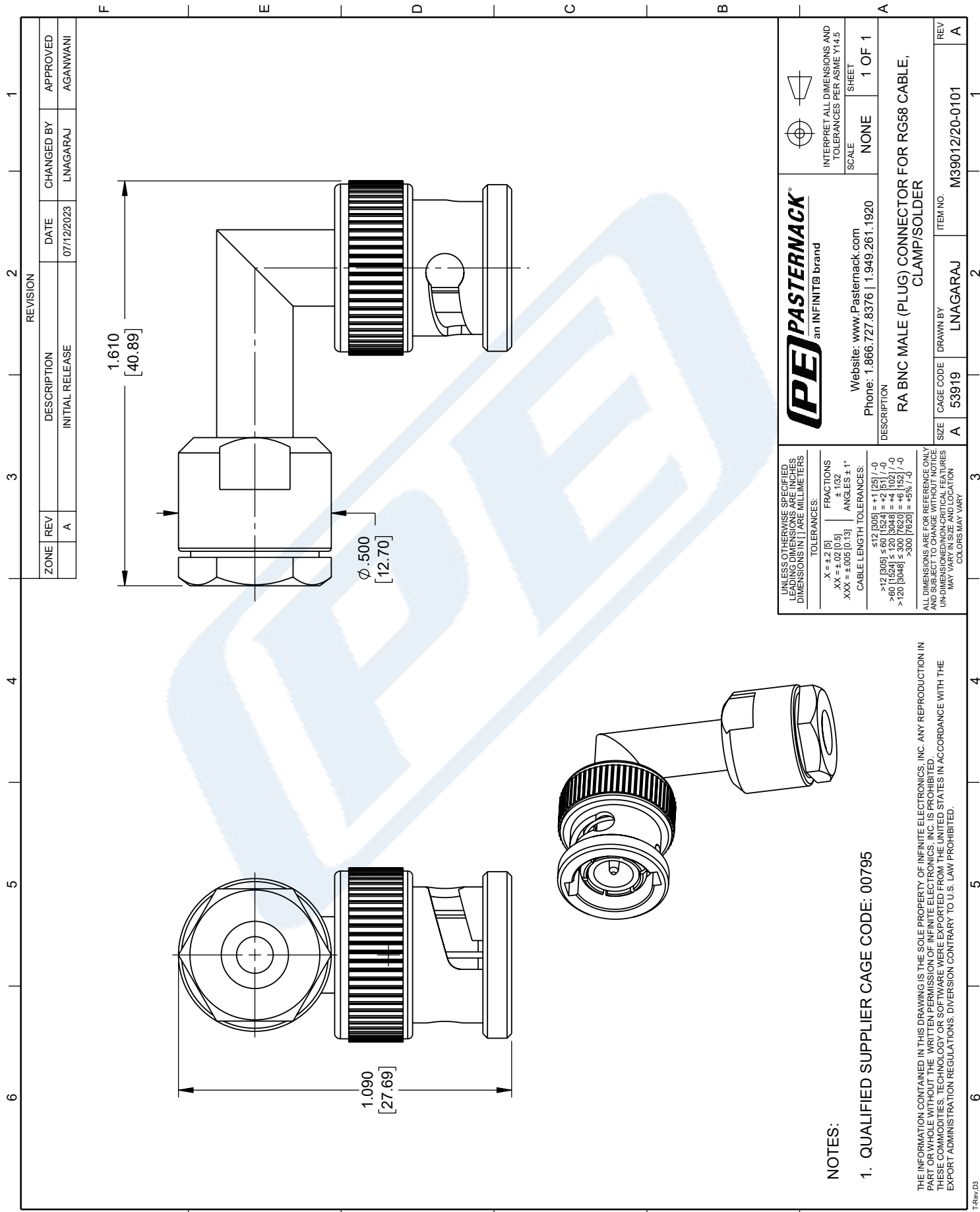
Click the following link (or enter part number in "SEARCH" on website) to obtain additional part information including price, inventory and certifications: [BNC Male Right Angle Connector Clamp/Solder Attachment for RG58 M39012/20-0101](https://www.pasternack.com/bnc-male-rg58-connector-m39012-20-0101-p.aspx)

URL: <https://www.pasternack.com/bnc-male-rg58-connector-m39012-20-0101-p.aspx>

The information contained in this document is accurate to the best of our knowledge and representative of the part described herein. It may be necessary to make modifications to the part and/or the documentation of the part, in order to implement improvements. Pasternack reserves the right to make such changes as required. Unless otherwise stated, all specifications are nominal. Pasternack does not make any representation or warranty regarding the suitability of the part described herein for any particular purpose, and Pasternack does not assume any liability arising out of the use of any part or documentation.

# M39012/20-0101 CAD Drawing

BNC Male Right Angle Connector Clamp/Solder Attachment for RG58



REVISION		DATE	CHANGED BY	APPROVED
ZONE	REV	DESCRIPTION	INITIAL RELEASE	
	A			AGANWANI

ZONE	REV	DESCRIPTION	DATE	CHANGED BY	APPROVED
	A		07/12/2023	LNAGARAJ	AGANWANI

**PE PASTERNAK**  
an INFINIT® brand

Website: [www.Pasternack.com](http://www.Pasternack.com)  
Phone: 1.866.727.8376 | 1.949.261.1920

SCALE: NONE SHEET: 1 OF 1

INTERPRET ALL DIMENSIONS AND TOLERANCES PER ASME Y14.5

DESCRIPTION: RA BNC MALE (PLUG) CONNECTOR FOR RG58 CABLE, CLAMP/SOLDER

SIZE: A CAGE CODE: M39012/20-0101 ITEM NO. LNAGARAJ

UNLESS OTHERWISE SPECIFIED, DIMENSIONS ARE IN INCHES. DIMENSIONS IN [ ] ARE MILLIMETERS.

TOLERANCES:  
 .X = ±.2 [5] FRACTIONS ± 1/32  
 .XX = ±.02 [0.5] ANGLES ± 1°  
 .XXX = ±.005 [0.13] CABLE LENGTH TOLERANCES:  
 ≤12 [305] = +1 [25] / -0  
 >12 [305] ≤ 60 [1524] = +2 [51] / -0  
 >60 [1524] ≤ 120 [3048] = +4 [102] / -0  
 >120 [3048] ≤ 300 [7620] = +6 [152] / -0  
 >300 [7620] = +5% / -0

ALL DIMENSIONS ARE FOR REFERENCE ONLY AND SUBJECT TO CHANGE WITHOUT NOTICE. UNDIMENSIONED/NON-CRITICAL FEATURES MAY VARY IN SIZE AND LOCATION. COLORS MAY VARY.

NOTES:  
 1. QUALIFIED SUPPLIER CAGE CODE: 00795

THE INFORMATION CONTAINED IN THIS DRAWING IS THE SOLE PROPERTY OF INFINITE ELECTRONICS, INC. ANY REPRODUCTION IN PART OR WHOLE WITHOUT THE WRITTEN PERMISSION OF INFINITE ELECTRONICS, INC. IS PROHIBITED. THESE COMMODITIES, TECHNOLOGY OR SOFTWARE WERE EXPORTED FROM THE UNITED STATES IN ACCORDANCE WITH THE EXPORT ADMINISTRATION REGULATIONS. DIVERSION CONTRARY TO U.S. LAW PROHIBITED.