

Low Loss 1/2 Flexible Annular Corrugated Coax Cable (by foot) with Black PE Jacket



PE-1/2FAC-FT

Configuration

- Low Loss Corrugated Cable
- 1 Shield(s)

Features

- Low Passive Intermodulation
- Solid copper outer conductor provides the highest possible RF shielding
- Flexible annularly corrugated copper outer conductor enables a small bending radius
- Excellent return loss performance
- Highly Foamed dielectric provides low attenuation

Applications

- Telecommunications
- Broadcasting
- Radar and Defense
- Test & Measurement
- Industrial

Description

Our corrugated cables and Low PIM connector combinations result in cable assemblies with excellent Passive Intermodulation performance. Solid copper outer conductors provide the highest possible RF shielding. This Flexible cable features excellent return loss performance. The highly foamed dielectric and optimized dimensions of these cables result in excellent low attenuation values. The flexible annularly corrugated copper outer conductor allows for a small bending radius.

Electrical Specifications

| Description | Minimum | Typical | Maximum | Units |
|--------------------------------------|---------|--------------|---------|--------------|
| Frequency Range | DC | | 8.8 | GHz |
| Cutoff Frequency | | 10 | | GHz |
| Impedance | | 50 | | Ohms |
| Velocity of Propagation | | 85 | | % |
| Shielding Effectiveness | 120 | | | dB |
| Dielectric Withstanding Voltage (DC) | | | 1,590 | Vdc |
| Jacket Spark | | | 2,000 | Vrms |
| Inner Conductor DC Resistance | | | 0.49 | Ohms/1000ft |
| Outer Conductor DC Resistance | | | 0.73 | Ohms/1000ft |
| Nominal Capacitance | | 23.2 [76.12] | | pF/ft [pF/m] |

Performance by Frequency Band

| Description | F1 | F2 | F3 | F4 | F5 | Units |
|-----------------------|-------|-------|-------|-------|-------|----------|
| Frequency | 0.1 | 0.45 | 0.8 | 1 | 1.8 | GHz |
| Attenuation, Typ | 0.66 | 1.44 | 1.97 | 2.22 | 3.06 | dB/100ft |
| | 2.17 | 4.72 | 6.46 | 7.28 | 10.04 | dB/100m |
| Input Power (CW), Max | 3,940 | 1,800 | 1,330 | 1,180 | 860 | Watts |

Low Loss 1/2 Flexible Annular Corrugated Coax Cable (by foot) with Black PE Jacket



PE-1/2FAC-FT

| Description | F6 | F7 | F8 | F9 | F10 | Units |
|-----------------------|-------|-------|-------|-------|-------|----------|
| Frequency | 2.2 | 2.5 | 2.6 | 3 | 8.8 | GHz |
| Attenuation, Typ | 3.43 | 3.68 | 3.77 | 4.08 | 7.7 | dB/100ft |
| | 11.25 | 12.07 | 12.37 | 13.39 | 25.26 | dB/100m |
| Input Power (CW), Max | 777 | 730 | 710 | 650 | 340 | Watts |

Mechanical Specifications

| | |
|---------------------------------|-------------------------|
| Diameter | 0.622 in [15.8 mm] |
| Weight | 0.14 lbs/ft [0.21 kg/m] |
| Min. Bend Radius (Installation) | 3.149 in [79.98 mm] |
| Min. Bend Radius (Repeated) | 4.92 in [124.97 mm] |
| Tensile Strength | 224.8 lbs [101.97 kg] |

Construction Specifications

| Description | Material and Plating | Diameter |
|-----------------|--------------------------------|---------------------|
| Inner Conductor | Copper Clad Aluminum, 1 Strand | 0.189 in [4.8 mm] |
| Conductor Type | Solid | |
| Dielectric | PE (F) | 0.476 in [12.09 mm] |
| First Shield | Annular Corrugated Copper Tube | |
| Jacket | PE, Black | 0.622 in [15.8 mm] |

Environmental Specifications

| | |
|--------------------|------------------|
| Temperature | |
| Operating Range | -45 to +85 deg C |
| Installation Range | -45 to +85 deg C |
| Storage Range | -45 to +85 deg C |

Compliance Certifications (see [product page](#) for current document)

Plotted and Other Data

Notes:

Low Loss 1/2 Flexible Annular Corrugated Coax Cable (by foot) with Black PE Jacket



PE-1/2FAC-FT

Low Loss 1/2 Flexible Annular Corrugated Coax Cable (by foot) with Black PE Jacket from Pasternack Enterprises has same day shipment for domestic and International orders. Our RF, microwave and millimeter wave products maintain a 99.4% availability and are part of the broadest selection in the industry.

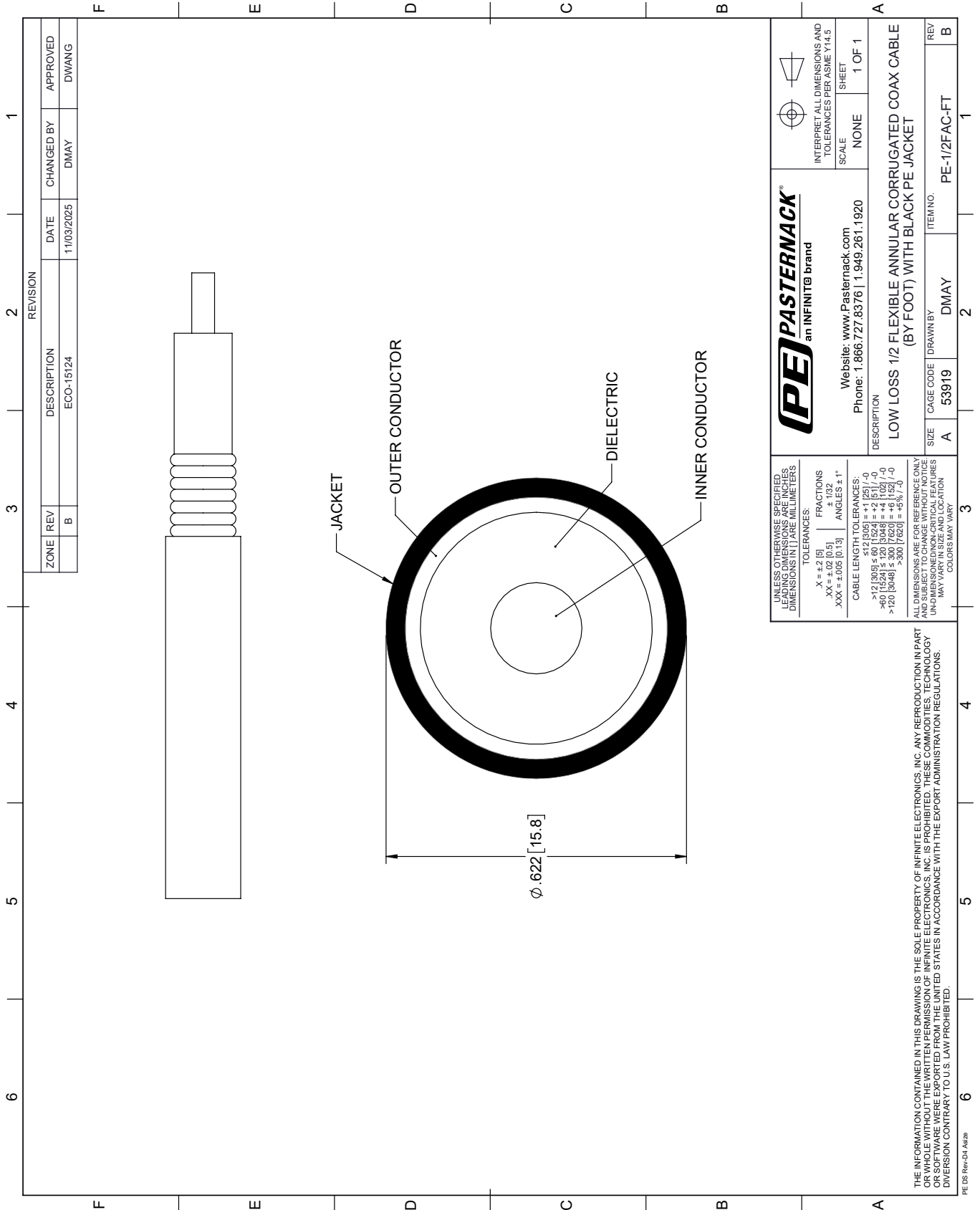
Click the following link (or enter part number in "SEARCH" on website) to obtain additional part information including price, inventory and certifications: [Low Loss 1/2 Flexible Annular Corrugated Coax Cable \(by foot\) with Black PE Jacket PE-1/2FAC-FT](#)

URL: <https://www.pasternack.com/50-ohm-low-loss-corrugated-1-2-flexible-annular-coax-pe-1-2fac-ft-p.aspx>

The information contained within this document is accurate to the best of our knowledge and representative of the part described herein. It may be necessary to make modifications to the part and/or the documentation of the part in order to implement improvements. Pasternack Enterprises reserves the right to make such changes as required. Unless otherwise stated, all specifications are nominal. Pasternack Enterprises does not make any representation or warranty regarding the suitability of the part described herein for any particular purpose, and Pasternack Enterprises does not assume liability arising out of the use of any part or document.

PE-1/2FAC-FT CAD Drawing

Low Loss 1/2 Flexible Annular Corrugated Coax Cable (by foot) with Black PE Jacket



| REVISION | | DATE | CHANGED BY | APPROVED | |
|----------|-----|-------------|------------|------------|----------|
| ZONE | REV | DESCRIPTION | DATE | CHANGED BY | APPROVED |
| | B | ECO-15124 | 11/03/2025 | DMAY | DWANG |

(PE) PASTERNAK®
an INFINITI® brand

Website: www.Pasternack.com
Phone: 1.866.727.8376 | 1.949.261.1920

INTERPRET ALL DIMENSIONS AND TOLERANCES PER ASME Y14.5

SCALE: NONE
SHEET: 1 OF 1

DESCRIPTION: LOW LOSS 1/2 FLEXIBLE ANNULAR CORRUGATED COAX CABLE (BY FOOT) WITH BLACK PE JACKET

| | | | |
|------|-----------|----------|--------------|
| SIZE | CAGE CODE | DRAWN BY | ITEM NO. |
| A | 53919 | DMAY | PE-1/2FAC-FT |

REV B

UNLESS OTHERWISE SPECIFIED, DIMENSIONS ARE IN INCHES. LEADING DIMENSIONS ARE IN MILLIMETERS. DIMENSIONS IN [] ARE MILLIMETERS.

TOLERANCES:
 .X = ±.2 [5]
 .XX = ±.02 [0.5]
 .XXX = ±.005 [0.13]

FRACTIONS: ± 1/32
 ANGLES: ± 1°

CABLE LENGTH TOLERANCES:
 < 12 [305] ≤ 60 [1524] = ±.1 [25] / -0
 > 60 [1524] ≤ 120 [3048] = ±.4 [102] / -0
 > 120 [3048] ≤ 300 [7620] = ±.8 [20] / -0

ALL DIMENSIONS ARE FOR REFERENCE ONLY. DIMENSIONS OF NON-CRITICAL FEATURES MAY VARY IN SIZE AND LOCATION. COLORS MAY VARY.

THE INFORMATION CONTAINED IN THIS DRAWING IS THE SOLE PROPERTY OF INFINITE ELECTRONICS, INC. ANY REPRODUCTION IN PART OR WHOLE WITHOUT THE WRITTEN PERMISSION OF INFINITE ELECTRONICS, INC. IS PROHIBITED. THESE COMMODITIES, TECHNOLOGY OR SOFTWARE WERE EXPORTED FROM THE UNITED STATES IN ACCORDANCE WITH THE EXPORT ADMINISTRATION REGULATIONS. DIVISION CONTRARY TO U.S. LAW PROHIBITED.

PE DS Rev-04 Add2