

Low Loss Flexible RG174 Type Coax Cable Double Shielded with Black PVC Jacket

TECHNICAL DATA SHEET

PE-C100

Low Loss Flexible RG174 Type Coax Cable Double Shielded with Black PVC Jacket

Configuration

Cable Design	Low Loss
Inner Conductor Material and Plating	Copper Clad Steel
Dielectric Type	PE
Shield Materials	Aluminum Tape, Tinned Copper Braid
Jacket Material and Color	PVC, Black

Electrical Specifications

Impedance, Ohms	50
Velocity of Propagation, %	66
Maximum Operating Frequency, GHz	5.8
RF Shielding, dB	90
Capacitance, pF/ft [pF/m]	30.8 [101.05]
Dielectric Withstanding Voltage, Vdc	500
Jacket Spark, Vrms	2,000
Peak Power, Watts	600

Electrical Specifications by Frequency

Frequency 1

Frequency, MHz	150
Attenuation, dB/100ft [dB/100m]	8.9 [29.2]
Power Handling, Watts	100

Frequency 2

Frequency, MHz	450
Attenuation, dB/100ft [dB/100m]	15.8 [51.84]
Power Handling, Watts	57

Frequency 3

Frequency, MHz	900
Attenuation, dB/100ft [dB/100m]	22.8 [74.8]
Power Handling, Watts	39

Frequency 4

Frequency, GHz	2
Attenuation, dB/100ft [dB/100m]	35.2 [115.49]
Power Handling, Watts	25

Frequency 5

Frequency, GHz	5.8
Attenuation, dB/100ft [dB/100m]	64.1 [210.3]
Power Handling, Watts	13

Click the following link (or enter part number in "SEARCH" on website) to obtain additional part information including price, inventory and certifications: [Low Loss Flexible RG174 Type Coax Cable Double Shielded with Black PVC Jacket PE-C100](#)

The information contained in this document is accurate to the best of our knowledge and representative of the part described herein. It may be necessary to make modifications to the part and/or the documentation of the part, in order to implement improvements. Pasternack reserves the right to make such changes as required. Unless otherwise stated, all specifications are nominal.

Low Loss Flexible RG174 Type Coax Cable Double Shielded with Black PVC Jacket

TECHNICAL DATA SHEET

PE-C100

Mechanical Specifications

Temperature

Operating Range, deg C	-40 to +85
Storage Range, deg C	-70 to +85

Inner Conductor

Number of Strands	1
Material	Copper Clad Steel
Diameter, in [mm]	0.018 [0.46]

Dielectric:

Type	PE
Diameter, in [mm]	0.06 [1.52]

Shield:

Number of	2
Material 1	Aluminum Tape
Material 2	Tinned Copper Braid
Diameter, in [mm]	0.083 [2.11]

Jacket:

Material	PVC
Diameter, in [mm]	0.11 [2.79]
Color	Black
One Time Minimum Bend Radius, in [mm]	0.25 [6.35]
Repeated Minimum Bend Radius, in [mm]	1 [25.4]
Weight, lbs/ft [Kg/m]	0.024 [0.04]

Compliance Certifications (visit www.Pasternack.com for current document)

RoHS Compliant	Yes
----------------	-----

Plotted and Other Data

Notes:	Values at 25 °C, sea level
--------	----------------------------

Low Loss Flexible RG174 Type Coax Cable Double Shielded with Black PVC Jacket from Pasternack Enterprises has same day shipment for domestic and International orders. Our RF, microwave and fiber optic products maintain a 99% availability and are part of the broadest selection in the industry.

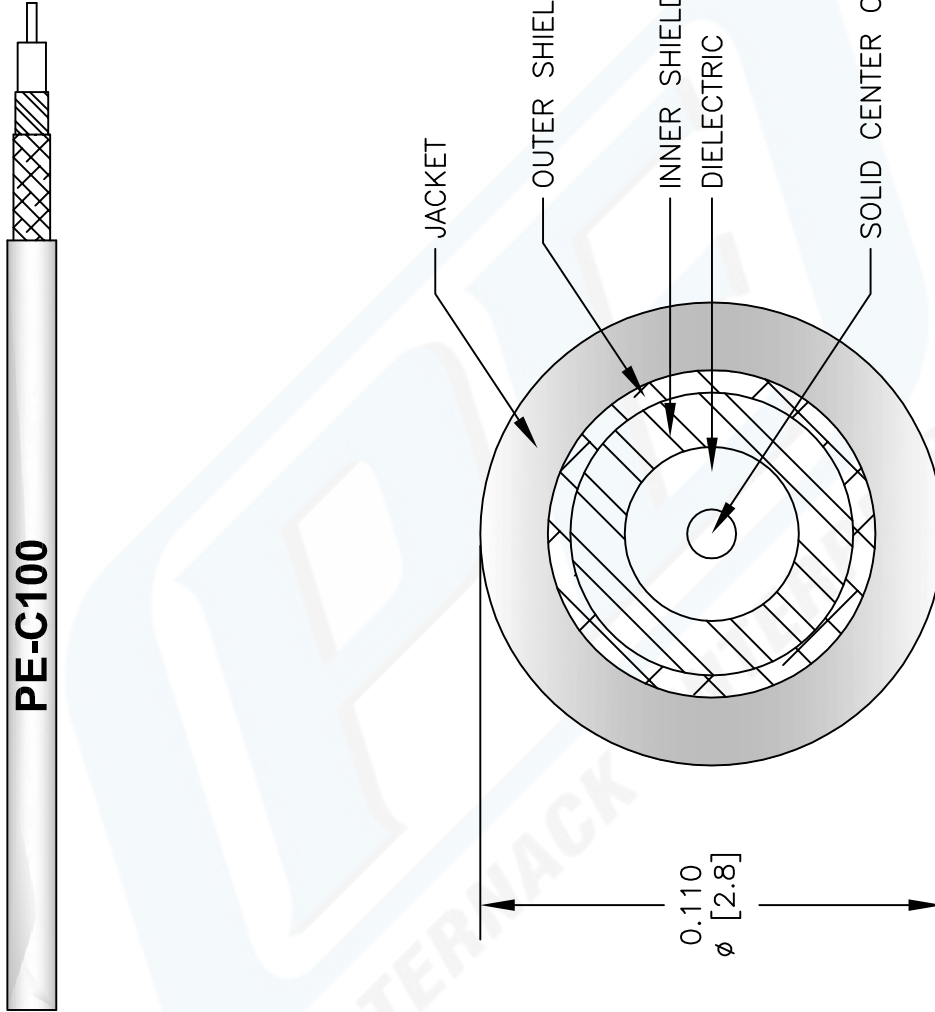
Click the following link (or enter part number in "SEARCH" on website) to obtain additional part information including price, inventory and certifications: [Low Loss Flexible RG174 Type Coax Cable Double Shielded with Black PVC Jacket PE-C100](http://www.pasternack.com/flexible-0.110-50-ohm-coax-cable-pvc-jacket-pe-c100-p.aspx)

URL: <http://www.pasternack.com/flexible-0.110-50-ohm-coax-cable-pvc-jacket-pe-c100-p.aspx>

The information contained in this document is accurate to the best of our knowledge and representative of the part described herein. It may be necessary to make modifications to the part and/or the documentation of the part, in order to implement improvements. Pasternack reserves the right to make such changes as required. Unless otherwise stated, all specifications are nominal.

PE-C100 CAD Drawing

Low Loss Flexible RG174 Type Coax Cable Double Shielded with Black PVC Jacket



NOTES:
 1. UNLESS OTHERWISE SPECIFIED ALL DIMENSIONS ARE NOMINAL.
 2. ALL SPECIFICATIONS ARE SUBJECT TO CHANGE WITHOUT NOTICE AT ANY TIME.
 3. DIMENSIONS ARE IN INCHES [mm].

DWG TITLE
PE-C100

FSCM NO. 53919

CAD FILE 040113-A

SCALE N/A

SIZE A

127

PASTERNAK®
 Pasternack Enterprises, Inc.
 P.O. Box 16759 | Irvine | CA | 92623
 Phone: (949) 261-1920 | Fax: (949) 261-7451
 Website: www.pasternack.com | E-Mail: sales@pasternack.com