

## Low Loss Flexible .200 inch Foam Dielectric Type Coax Cable Double Shielded with Black PE Jacket

### RF Cables Technical Data Sheet

**PE-C200-BULK**

#### Configuration

- Low Loss Flexible Cable
- 2 Shield(s)

#### Electrical Specifications

Description	Minimum	Typical	Maximum	Units
Frequency Range	DC		6	GHz
Impedance		50		Ohms
Velocity of Propagation		83		%
Shielding Effectiveness	90			dB
Operating Voltage (AC)			1,000	Vrms
Dielectric Withstanding Voltage (DC)			1,000	Vdc
Jacket Spark			3,000	Vrms
Nominal Capacitance		24.5 [80.38]		pF/ft [pF/m]
Input Power (Peak)			2.5	kWatts

#### Performance by Frequency Band

Description	F1	F2	F3	F4	F5	Units
Frequency	0.05	0.15	1.5	2.5	5.8	GHz
Attenuation, Typ	2.3	4	12.9	16.9	26.4	dB/100ft
	7.55	13.12	42.32	55.45	86.61	dB/100m
Input Power (CW), Max	790	450	140	110	70	Watts

#### Mechanical Specifications

Diameter	0.195 in [4.95 mm]
Weight	0.025 lbs/ft [0.04 kg/m]

#### Construction Specifications

Description	Material and Plating	Diameter
Inner Conductor	Copper, 1 Strand	0.044 in [1.12 mm]
Conductor Type	Solid	

Click the following link (or enter part number in "SEARCH" on website) to obtain additional part information including price, inventory and certifications: [Low Loss Flexible .200 inch Foam Dielectric Type Coax Cable Double Shielded with Black PE Jacket PE-C200-BULK](#)



Low Loss Flexible .200 inch Foam Dielectric Type Coax  
Cable Double Shielded with Black PE Jacket

**RF Cables**  
**Technical Data Sheet**

**PE-C200-BULK**

Dielectric	PE (F)	0.116 in [2.95 mm]
First Shield	Aluminum Tape	[ ]
Second Shield	Tinned Copper Braid	0.144 in [3.66 mm]
Jacket	PE, Black	0.195 in [4.95 mm]

**Environmental Specifications**

**Temperature**

Operating Range

-40 to +85 deg C

Storage Range

-70 to +85 deg C

**Compliance Certifications** (see [product page](#) for current document)

**Plotted and Other Data**

Notes:

Low Loss Flexible .200 inch Foam Dielectric Type Coax Cable Double Shielded with Black PE Jacket from Pasternack Enterprises has same day shipment for domestic and International orders. Our RF, microwave and millimeter wave products maintain a 99.4% availability and are part of the broadest selection in the industry.

Click the following link (or enter part number in "SEARCH" on website) to obtain additional part information including price, inventory and certifications: [Low Loss Flexible .200 inch Foam Dielectric Type Coax Cable Double Shielded with Black PE Jacket PE-C200-BULK](#)

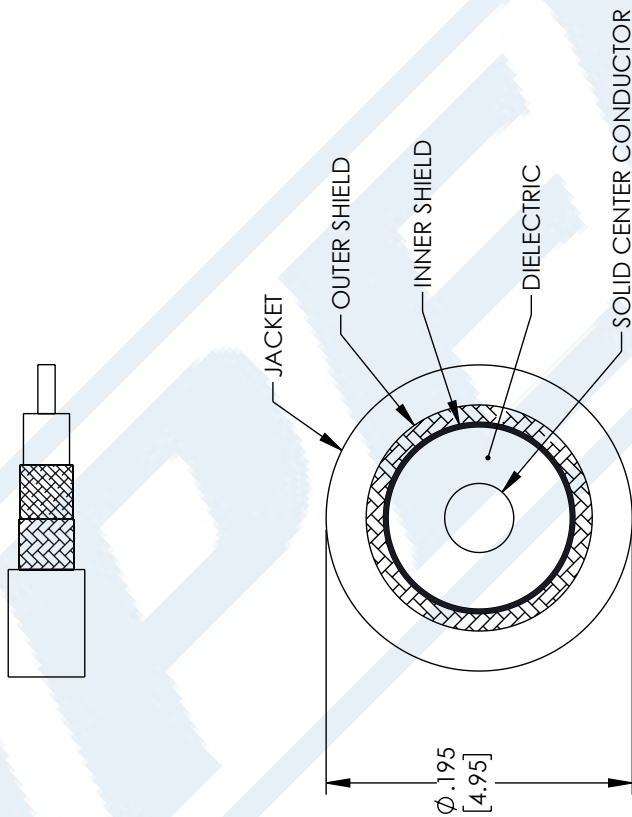
URL: <https://www.pasternack.com/flexible-0.195-50-ohm-coax-cable-pe-jacket-pe-c200-bulk-p.aspx>

The information contained in this document is accurate to the best of our knowledge and representative of the part described herein. It may be necessary to make modifications to the part and/or the documentation of the part, in order to implement improvements. Pasternack reserves the right to make such changes as required. Unless otherwise stated, all specifications are nominal. Pasternack does not make any representation or warranty regarding the suitability of the part described herein for any particular purpose, and Pasternack does not assume any liability arising out of the use of any part or documentation.

# PE-C200-BULK CAD Drawing

Low Loss Flexible .200 inch Foam Dielectric Type Coax  
Cable Double Shielded with Black PE Jacket

REVISIONS		
REV.	DESCRIPTION	DATE
A	INITIAL RELEASE	03/04/2022
		APPROVED
		AGANWANI



UNLESS OTHERWISE SPECIFIED  
LEADING DIMENSIONS ARE INCHES  
DIMENSIONS IN [ ] ARE MILLIMETERS

TOLERANCES:

.X = ±.2 [5.08]    FRACTIONS ± 1/32  
.XX = ±.02 [ .51]    ANGLES ± 1°  
.XXX = ±.005 [ .13]

CABLE LENGTH (L), TOLERANCES:

L ≤ 12 [305] = +1 [25] / -0  
12 [305] < L ≤ 60 [1524] = +2 [51] / -0  
60 [1524] < L ≤ 120 [3048] = +4 [102] / -0  
120 [3048] < L ≤ 300 [7620] = +6 [152] / -0  
300 [7620] < L = +5% / -0

ALL DIMENSIONS SHOWN  
ARE FOR REFERENCE ONLY.

**PE PASTERNAK**  
an INFINITI brand

Pasternack Enterprises, Inc.  
P. O. Box 16759, Irvine, CA 92623.  
Phone: 1.949.261.1920 | 1.866.727.8376  
Fax: 1.949.261.7451  
Website: www.pasternack.com  
E-mail: sales@pasternack.com

ITEM NO. PE-C200-BULK

SIZE A    CAGE CODE 53919    DRAWN BY DZINN

THIRD-ANGLE PROJECTION

THE INFORMATION AND DESIGN IN THIS DOCUMENT IS THE PROPERTY OF PASTERNAK CORPORATION ALL RIGHTS RESERVED.

SHEET 1 OF 1

SCALE N/A

REV A

THESE COMMODITIES, TECHNOLOGY OR SOFTWARE WERE EXPORTED FROM THE UNITED STATES IN ACCORDANCE WITH THE EXPORT ADMINISTRATION REGULATIONS. DIVERSION CONTRARY TO U.S. LAW PROHIBITED.