



Low Loss Flexible PE-P142LL Coax Cable Triple Shielded with Green FEP Jacket

RF Cables Technical Data Sheet

PE-P142LL

Configuration

- Low Loss Flexible Cable
- 3 Shield(s)

Features

- Low Loss dielectric 80% VoP
- Phase stable Expanded PTFE dielectric
- Double Shielded with metalized polyimide interlayer
- Shielding >95dB
- FEP Jacket

Applications

- Low Loss system cables
- Rugged environments
- Test systems with long cable runs
- ATE, Automated Test Equipment
- Antenna Jumpers

Description

PE-P142LL low loss coaxial cable with flat strip foil braid is part of our full line of RF components available for same-day shipping from Pasternack. The PE-P142LL coaxial cable features a low loss dielectric with an 80% velocity of propagation (VoP). These low loss coax features combine to make Pasternack's cable well suited for applications that require a high-performance RF cable. Applications for coax with low loss include long cable lengths where the attenuation from standard solid dielectric coax would impact system performance.

The 0.195 inch diameter coax has a durable FEP outer jacket that makes this cable appropriate for a wide range of indoor or outdoor applications. The flat foil braid provides superior shielding and the expanded PTFE dielectric contributes to the lower attenuation and improves the power handling of this coax cable.

Our datasheet specifications and drawing with dimensions for the PE-P142LL coax cable are shown below in this PDF. In addition to bulk RF cable, Pasternack offers cable assemblies using PE-P142LL with a wide selection of connector options available. See our web site to find the right connector cable combination for your application.

Electrical Specifications

Description	Minimum	Typical	Maximum	Units
Frequency Range	DC		18	GHz
Impedance		50		Ohms
Structural VSWR		1.35:1		
Velocity of Propagation		80		%
Nominal Capacitance		25 [82.02]		pF/ft [pF/m]

Click the following link (or enter part number in "SEARCH" on website) to obtain additional part information including price, inventory and certifications: [Low Loss Flexible PE-P142LL Coax Cable Triple Shielded with Green FEP Jacket PE-P142LL](#)



Low Loss Flexible PE-P142LL Coax Cable Triple Shielded with Green FEP Jacket

RF Cables Technical Data Sheet

PE-P142LL

Performance by Frequency Band

Description	F1	F2	F3	F4	F5	Units
Frequency	0.4	1	2	2.4	3	GHz
Attenuation, Max	5.2	8.2	11.8	12.9	14.5	dB/100ft
	17.06	26.9	38.71	42.32	47.57	dB/100m
Attenuation, Typ	4.7	7.5	10.7	11.7	13.2	dB/100ft
	15.42	24.61	35.1	38.39	43.31	dB/100m
Input Power (CW), Max	1,310	820			460	Watts

Description	F6	F7	F8	F9	F10	Units
Frequency	5	10	18			GHz
Attenuation, Max	18.9	27.4	37.6			dB/100ft
	62.01	89.9	123.36			dB/100m
Attenuation, Typ	17.2	24.9	34.2			dB/100ft
	56.43	81.69	112.2			dB/100m
Input Power (CW), Max	350	240	170			Watts

Electrical Specification Notes:
Power handling derates linearly to 0% from +25°C to +250°C.

Mechanical Specifications

Diameter	0.195 in [4.95 mm]
Weight	0.037 lbs/ft [0.06 Kg/m]
Min. Bend Radius (Repeated)	0.975 in [24.77 mm]

Construction Specifications

Description	Material and Plating	Diameter
Inner Conductor	Copper, Silver1	0.051 in 1.3 mm
Conductor Type	Solid	
Dielectric	PTFE	0.145 in 3.68 mm

Click the following link (or enter part number in "SEARCH" on website) to obtain additional part information including price, inventory and certifications: [Low Loss Flexible PE-P142LL Coax Cable Triple Shielded with Green FEP Jacket PE-P142LL](#)



Low Loss Flexible PE-P142LL Coax Cable Triple Shielded with Green FEP Jacket

RF Cables Technical Data Sheet

PE-P142LL

First Shield	Silver Plated Copper Tape 90% min. coverage	0.152 in 3.86 mm
Second Shield	Aluminum Polyester	0.158 in 4.01 mm
Third Shield	Silver Plated Copper Wire 90% min. coverage	0.178 in 4.52 mm
Jacket	FEP, Green	0.195 in [4.95 mm]

Environmental Specifications

Temperature

Operating Range

-55 to +200 deg C

Compliance Certifications (see [product page](#) for current document)

Plotted and Other Data

Notes:

Low Loss Flexible PE-P142LL Coax Cable Triple Shielded with Green FEP Jacket from Pasternack Enterprises has same day shipment for domestic and International orders. Our RF, microwave and millimeter wave products maintain a 99.4% availability and are part of the broadest selection in the industry.

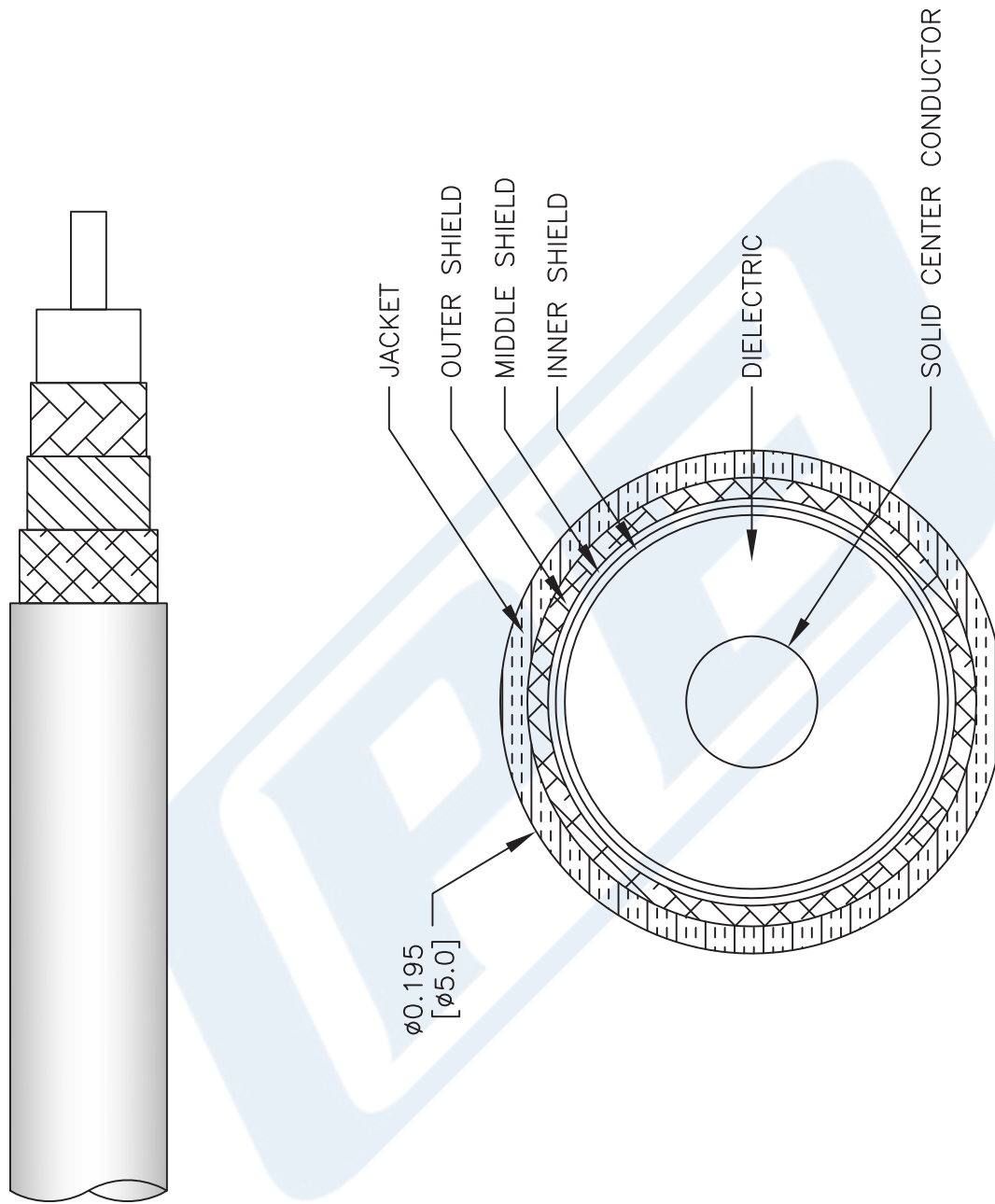
Click the following link (or enter part number in "SEARCH" on website) to obtain additional part information including price, inventory and certifications: [Low Loss Flexible PE-P142LL Coax Cable Triple Shielded with Green FEP Jacket PE-P142LL](#)

URL: <https://www.pasternack.com/50ohm-low-loss-flexible-pe-p142ll-coax-cable-triple-shielded-fep-jacket-p.aspx>

The information contained in this document is accurate to the best of our knowledge and representative of the part described herein. It may be necessary to make modifications to the part and/or the documentation of the part, in order to implement improvements. Pasternack reserves the right to make such changes as required. Unless otherwise stated, all specifications are nominal. Pasternack does not make any representation or warranty regarding the suitability of the part described herein for any particular purpose, and Pasternack does not assume any liability arising out of the use of any part or documentation.

PE-P142LL CAD Drawing

Low Loss Flexible PE-P142LL Coax Cable Triple Shielded with Green FEP Jacket



NOTES:
 1. UNLESS OTHERWISE SPECIFIED ALL DIMENSIONS ARE NOMINAL.
 2. ALL SPECIFICATIONS ARE SUBJECT TO CHANGE WITHOUT NOTICE AT ANY TIME.
 3. DIMENSIONS ARE IN INCHES [mm].

DWG TITLE
PE-P142LL

CAGE CODE **53919**

CAD FILE 062817 SCALE N/A SIZE A 2233

PE PASTERNAK
 THE ENGINEER'S RF SOURCE
 Pasternack Enterprises, Inc.
 P.O. Box 16759 | Irvine | CA | 92623
 Phone: (949) 261-1920 | Fax: (949) 261-7451
 Website: www.pasternack.com | E-Mail: sales@pasternack.com