



Hermetic Seal Solder Contact with 0.012" Diameter Full Radius Pin, 0.098" Body Diameter and 0.179" Pin Length

TECHNICAL DATA SHEET

PE1015-2

Configuration

Description	Hermetic Seal Solder Contact
Isolated Ground / Hermetic	Hermetic
Pin Diameter, in [mm]	0.012 [0.3]
Pin Length, in [mm]	0.179 [4.55]
Body Diameter, in [mm]	0.098 [2.49]
Body Length, in [mm]	0.062 [1.57]
Contact Material and Plating	Kovar Gold
Contact Plating Specification	50μ in minimum
Body Material and Plating	Glass Gold
Body Plating Specification	50μ in minimum

Compliance Certifications (see [product page](#) for current document)

Plotted and Other Data

Notes:

- Values at +25 °C, sea level
- HERMETICITY 1E(-8) STD CC/SEC @1ATM

Hermetic Seal Solder Contact with 0.012" Diameter Full Radius Pin, 0.098" Body Diameter and 0.179" Pin Length from Pasternack Enterprises has same day shipment for domestic and International orders. Our RF, microwave and millimeter wave products maintain a 99.4% availability and are part of the broadest selection in the industry.

Click the following link (or enter part number in "SEARCH" on website) to obtain additional part information including price, inventory and certifications: [Hermetic Seal Solder Contact with 0.012" Diameter Full Radius Pin, 0.098" Body Diameter and 0.179" Pin Length PE1015-2](#)

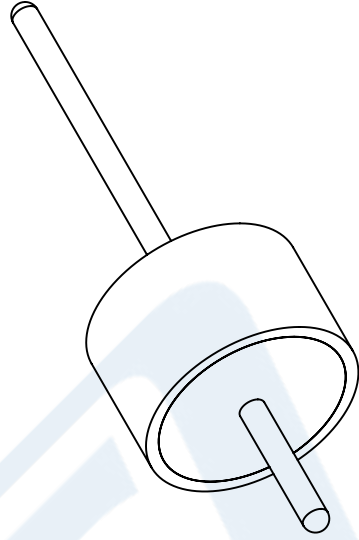
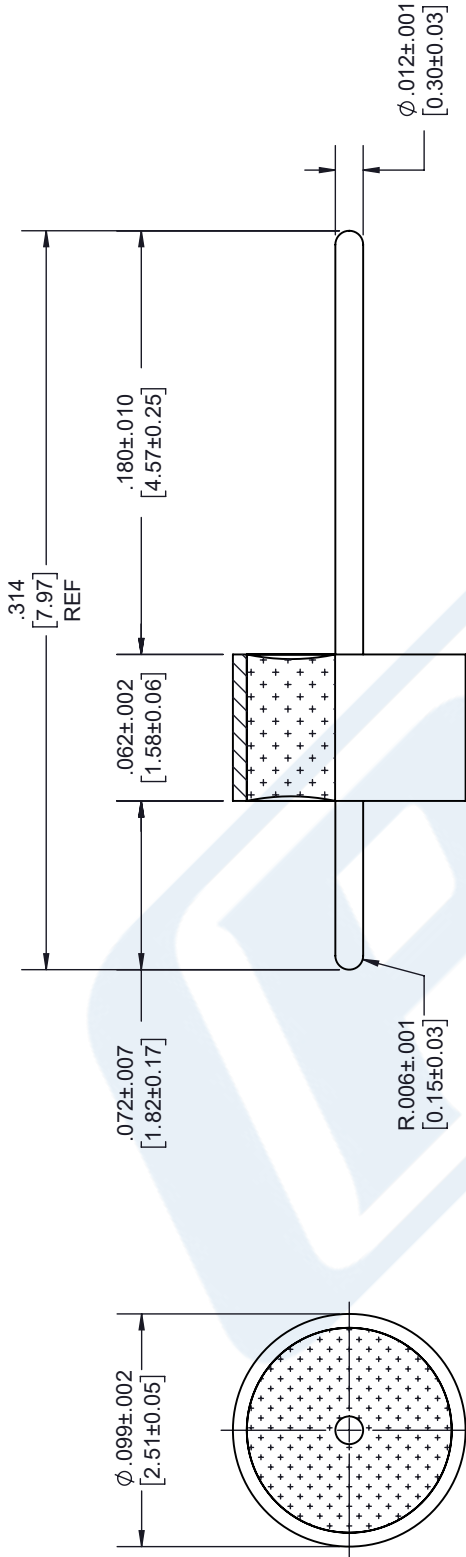
URL: <https://www.pasternack.com/hermetic-seal-solder-contact-0.011-pin-diameter-0.098-body-0.179-pin-pe1015-2-p.aspx>

The information contained in this document is accurate to the best of our knowledge and representative of the part described herein. It may be necessary to make modifications to the part and/or the documentation of the part, in order to implement improvements. Pasternack reserves the right to make such changes as required. Unless otherwise stated, all specifications are nominal. Pasternack does not make any representation or warranty regarding the suitability of the part described herein for any particular purpose, and Pasternack does not assume any liability arising out of the use of any part or documentation.

PE1015-2 CAD Drawing

Hermetic Seal Solder Contact with 0.012" Diameter Full Radius Pin, 0.098" Body Diameter and 0.179" Pin Length

REVISIONS			
REV.	DESCRIPTION	DATE	APPROVED
A	INITIAL RELEASE	2/18/2021	S.PONG



NOTES:

- HERMETICITY 1E(-8) STD CC/SEC @1ATM.
- FINISH (PLATING THICKNESS IN MICRO-INCHES)
 - GLASS + KOVAR
 - GOLD PL.50 MIN. OVER NICKEL PL.100 MIN.

UNLESS OTHERWISE SPECIFIED LEADING DIMENSIONS ARE INCHES DIMENSIONS IN [] ARE MILLIMETERS

TOLERANCES:

.X = ±.2 [508] FRACTIONS ±.1/32
 .XX = ±.02 [51] ANGLES ± 1°
 .XXX = ±.005 [13] ANGLES ± 1°

CABLE LENGTH (L), TOLERANCES:
 L ≤ 12 [305] = +1 [25] / -0
 12 [305] < L ≤ 60 [1524] = +2 [51] / -0
 60 [1524] < L ≤ 120 [3048] = +4 [102] / -0
 120 [3048] < L ≤ 300 [7620] = +6 [152] / -0
 300 [7620] < L = +5% / -0

ALL DIMENSIONS SHOWN ARE FOR REFERENCE ONLY.

THIRD-ANGLE PROJECTION

THE INFORMATION AND DESIGN IN THIS DOCUMENT IS THE PROPERTY OF PASTERNAK CORPORATION ALL RIGHTS RESERVED.

SHEET 1 OF 1

SCALE N/A

REV A

PE PASTERNAK
 an INFINITE brand

Pasternack Enterprises, Inc.
 P. O. Box 16759, Irvine, CA 92623.
 Phone: 1.949.261.1920 | 1.866.727.8376
 Fax: 1.949.261.7451
 Website: www.pasternack.com
 E-mail: sales@pasternack.com

ITEM NO. PE1015-2

SIZE A

CAGE CODE 53919

DRAWN BY K.DANG

THESE COMMODITIES, TECHNOLOGY OR SOFTWARE WERE EXPORTED FROM THE UNITED STATES IN ACCORDANCE WITH THE EXPORT ADMINISTRATION REGULATIONS. DIVERSION CONTRARY TO U.S. LAW PROHIBITED.