

1.85mm Female to 1.85mm Female Right Angle Adapter

RF Adapters Technical Data Sheet

PE1278

Configuration

- 1.85mm Female Connector 1
- 1.85mm Female Connector 2
- 50 Ohm
- Right Angle Body Geometry

Features

- Max VSWR of 1.35:1 up to 67 GHz
- 50 pin contact plating
- Gold Plated Beryllium Copper Contact

Applications

- General Purpose Test

Description

Pasternack's PE1278 1.85mm female to 1.85mm female right angle adapter is part of our full line of RF components available for same-day shipping. The 1.85mm connector mates mechanically with commercially available 2.4mm connectors. Our 1.85mm to 1.85mm adapter has a female to female gender configuration built of durable stainless steel. PE1278 1.85mm female to 1.85mm female adapter operates to 67 GHz. The Pasternack RF adapter provides good VSWR of 1.35:1 maximum. This right angle 1.85mm to 1.85mm adapter allows for easier connections in tight spaces.

RF adapters are often used to enable connections between two connector types that would otherwise not mate. Certain adapter configurations can also be used to protect connectors on expensive equipment where the number of connect/disconnect cycles is high. An RF, microwave or millimeter wave adapter is connected to the equipment, and the commonly changed connection is made with the adapter which can be easily replaced when it wears out after high usage; such adapters are referred to as connector savers. Pasternack also offers bulkhead, panel mount, hermetically sealed, reverse polarity, and isolated ground adapter varieties to serve all of your RF, microwave and millimeter wave needs.

Electrical Specifications

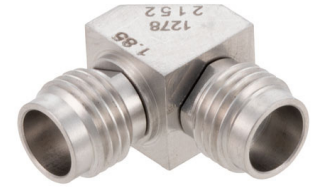
Description	Minimum	Typical	Maximum	Units
Frequency Range	DC		67	GHz
VSWR			1.35:1	

Mechanical Specifications

Size

Length	0.56 in [14.22 mm]
Width	0.312 in [7.92 mm]
Height	0.566 in [14.38 mm]
Weight	0.176 lbs [79.83 g]

Click the following link (or enter part number in "SEARCH" on website) to obtain additional part information including price, inventory and certifications: [1.85mm Female to 1.85mm Female Right Angle Adapter PE1278](#)



1.85mm Female to 1.85mm Female Right Angle Adapter

RF Adapters Technical Data Sheet

PE1278

Description	Connector 1	Connector 2
Type	1.85mm Female	1.85mm Female
Polarity	Standard	Standard

Material Specifications

Description	Connector 1		Connector 2	
	Material	Plating	Material	Plating
Type	1.85mm Female		1.85mm Female	
Contact	Beryllium Copper	Gold 50 µin	Beryllium Copper	Gold 50 µin
Insulation	PEI		PEI	
Outer Conductor	Passivated Stainless Steel		Passivated Stainless Steel	
Body	Passivated Stainless Steel		Passivated Stainless Steel	

Compliance Certifications (see [product page](#) for current document)

1.85mm Female to 1.85mm Female Right Angle Adapter from Pasternack Enterprises has same day shipment for domestic and International orders. Our RF, microwave and millimeter wave products maintain a 99.4% availability and are part of the broadest selection in the industry.

Click the following link (or enter part number in "SEARCH" on website) to obtain additional part information including price, inventory and certifications: [1.85mm Female to 1.85mm Female Right Angle Adapter PE1278](#)

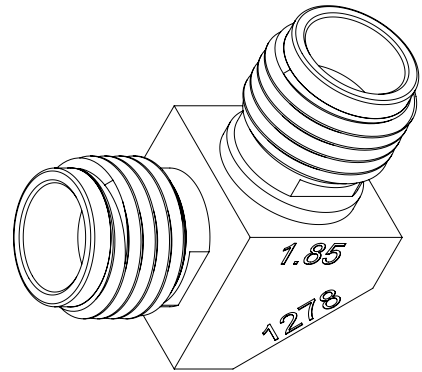
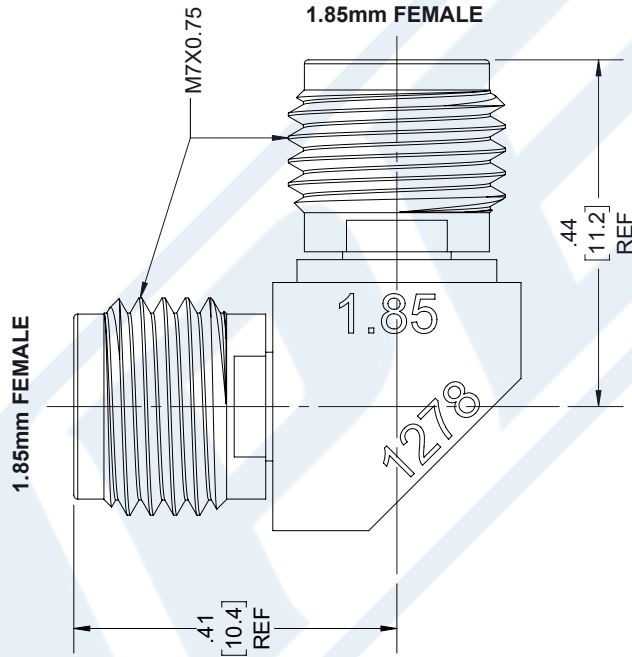
URL: <https://www.pasternack.com/1.85mm-female-to-1.85mm-female-right-angle-adapter-pe1278-p.aspx>

The information contained in this document is accurate to the best of our knowledge and representative of the part described herein. It may be necessary to make modifications to the part and/or the documentation of the part, in order to implement improvements. Pasternack reserves the right to make such changes as required. Unless otherwise stated, all specifications are nominal. Pasternack does not make any representation or warranty regarding the suitability of the part described herein for any particular purpose, and Pasternack does not assume any liability arising out of the use of any part or documentation.

PE1278 CAD Drawing

1.85mm Female to 1.85mm Female Right Angle Adapter

REVISIONS			
REV.	DESCRIPTION	DATE	APPROVED
A	INITIAL RELEASE	8/16/2021	A. GANWANI



UNLESS OTHERWISE SPECIFIED
LEADING DIMENSIONS ARE INCHES
DIMENSIONS IN [] ARE MILLIMETERS

TOLERANCES:

.X = ±.2	[.08]	FRACTIONS	± 1/32
.XX = ±.02	[.51]	ANGLES ± 1°	
.XXX = ±.005	[.13]	CABLE LENGTH (L) TOLERANCES:	
		L ≤ 12 [305]	= +1 [25] / -0
		12 [305] < L ≤ 60 [1524]	= +2 [51] / -0
		60 [1524] < L ≤ 120 [3048]	= +4 [102] / -0
		120 [3048] < L ≤ 300 [7620]	= +6 [152] / -0
		300 [7620] < L = +5% / L / -0	

ALL DIMENSIONS SHOWN
ARE FOR REFERENCE ONLY.

PE PASTERNAK
an INFINITO brand

Pasternack Enterprises, Inc.
P. O. Box 16759, Irvine, CA 92623.
Phone: 1.949.261.1920 | 1.866.727.8376
Fax: 1.949.261.7451
Website: www.pasternack.com
E-mail: sales@pasternack.com

THIRD-ANGLE PROJECTION

THE INFORMATION AND DESIGN IN THIS DOCUMENT IS THE PROPERTY OF PASTERNAK CORPORATION. ALL RIGHTS RESERVED.

SHEET 1 OF 1

SCALE N/A

REV A

ITEM NO. PE1278

DRAWN BY K.DANG

CAGE CODE A 53919

THESE COMMODITIES, TECHNOLOGY OR SOFTWARE WERE EXPORTED FROM THE UNITED STATES IN ACCORDANCE WITH THE EXPORT ADMINISTRATION REGULATIONS. DIVERSION CONTRARY TO U.S. LAW PROHIBITED.