



10 MHz to 6 GHz N Bias Tee Rated to 2500 mA and 100 Volts DC

Bias Tees Technical Data Sheet

PE1616

Features

- 10 MHz to 6 GHz Frequency Range
- Isolation 30 dB Min
- Insertion Loss < 1.25 dB
- 2,500 mA / 100 VDC Bias

Applications

- Amplifier Biasing
- DC Return / Block
- Transmitting Power With a Single
- Coax
- Test and Measurement
- Communication Systems
- Wireless Systems

Description

Pasternack's PE1616 is a type N bias tee (also known as bias T) that operates from 10 MHz to 6 GHz with a bias rating of 2,500 mA and 100 VDC. This bias tee is configured with type N inputs on the RF ports and solder pin on the bias port. PE1616 type N bias T offers good electrical performance featuring 1.25 dB max insertion loss and 30 dB min isolation.

Bias tees are typically used to inject a DC signal into an RF path such as when biasing an amplifier or any other active device, supplying power to the connected output without disrupting the RF signal. They can also be used as DC returns to provide a ground return path for the input device or DC blocks to prevent direct current signals from flowing through the output device. Pasternack's bias tees are available in various connector configurations over different frequency bands to fit your needs, all of which ship the same day.

Configuration

RF Port Connector	N Female
RF Port Connector Specification	MIL-STD-348
DC/RF Port Connector	N Female
DC/RF Port Connector Specification	MIL-STD-348
DC Port Connector	Solder Pin

Electrical Specifications

Description	Minimum	Typical	Maximum	Units
Frequency Range	0.01		6	GHz
Impedance		50		Ohms
VSWR			1.5:1	
Insertion Loss			1.25	dB
RF to Bias Isolation	30			dB
DC Voltage			100	Vdc
DC Current			2.5	A

Electrical Specification Notes:

Values at +25°C, sea level.

VSWR is specified from 30 MHz to 6 GHz.

Click the following link (or enter part number in "SEARCH" on website) to obtain additional part information including price, inventory and certifications: [10 MHz to 6 GHz N Bias Tee Rated to 2500 mA and 100 Volts DC PE1616](#)



10 MHz to 6 GHz N Bias Tee Rated to 2500 mA and 100 Volts DC

Bias Tees Technical Data Sheet

PE1616

Mechanical Specifications

Size

Length	2.4 in [60.96 mm]
Width	1 in [25.4 mm]
Height	1.69 in [42.93 mm]
Weight	0.1757 lbs [79.7 g]
Package Type	Connectorized
Housing Material and Plating	Aluminum

Connectors

Description	RF Port Connector	RF/DC Port Connector	DC Port Connector
Type	N Female	N Female	Solder Pin
Inner Conductor Material and Plating	Beryllium Copper, Gold	Beryllium Copper, Gold	
Body Material and Plating	Passivated Stainless Steel	Passivated Stainless Steel	

Compliance Certifications (see [product page](#) for current document)

Plotted and Other Data

Notes:

Click the following link (or enter part number in "SEARCH" on website) to obtain additional part information including price, inventory and certifications: [10 MHz to 6 GHz N Bias Tee Rated to 2500 mA and 100 Volts DC PE1616](#)

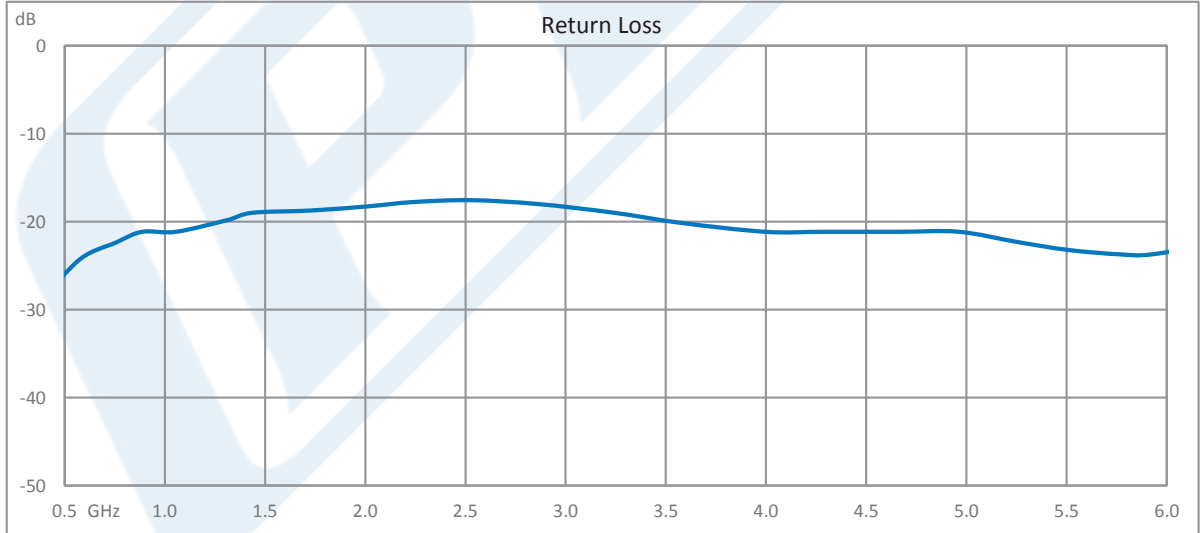
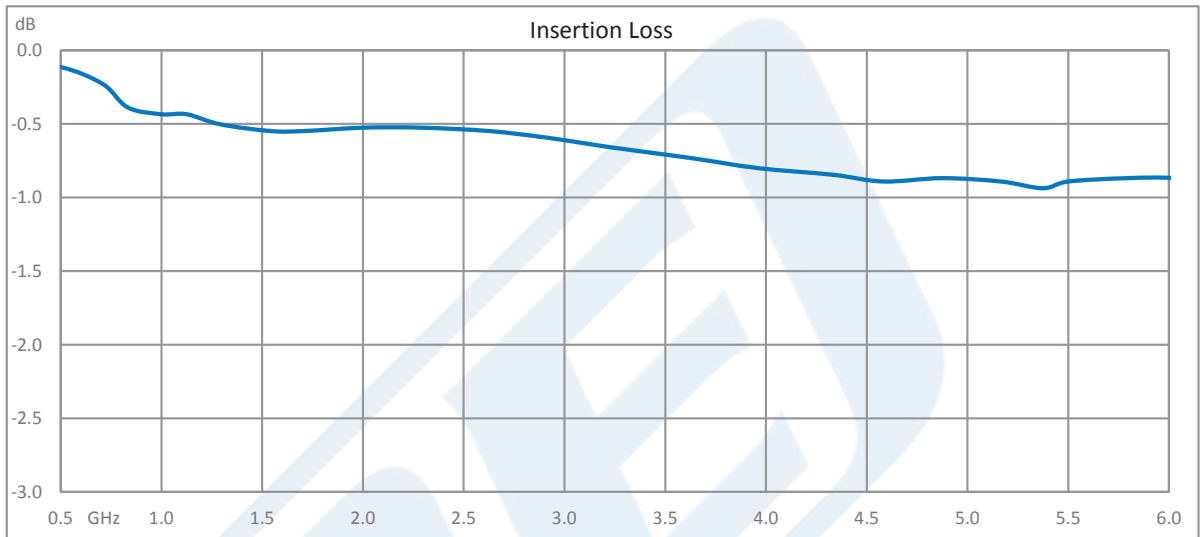


10 MHz to 6 GHz N Bias Tee Rated to 2500 mA and 100 Volts DC

Bias Tees Technical Data Sheet

PE1616

Typical Performance Data



Click the following link (or enter part number in "SEARCH" on website) to obtain additional part information including price, inventory and certifications: [10 MHz to 6 GHz N Bias Tee Rated to 2500 mA and 100 Volts DC PE1616](#)



10 MHz to 6 GHz N Bias Tee Rated to 2500 mA and 100 Volts DC

Bias Tees Technical Data Sheet

PE1616

10 MHz to 6 GHz N Bias Tee Rated to 2500 mA and 100 Volts DC from Pasternack Enterprises has same day shipment for domestic and International orders. Our RF, microwave and millimeter wave products maintain a 99.4% availability and are part of the broadest selection in the industry.

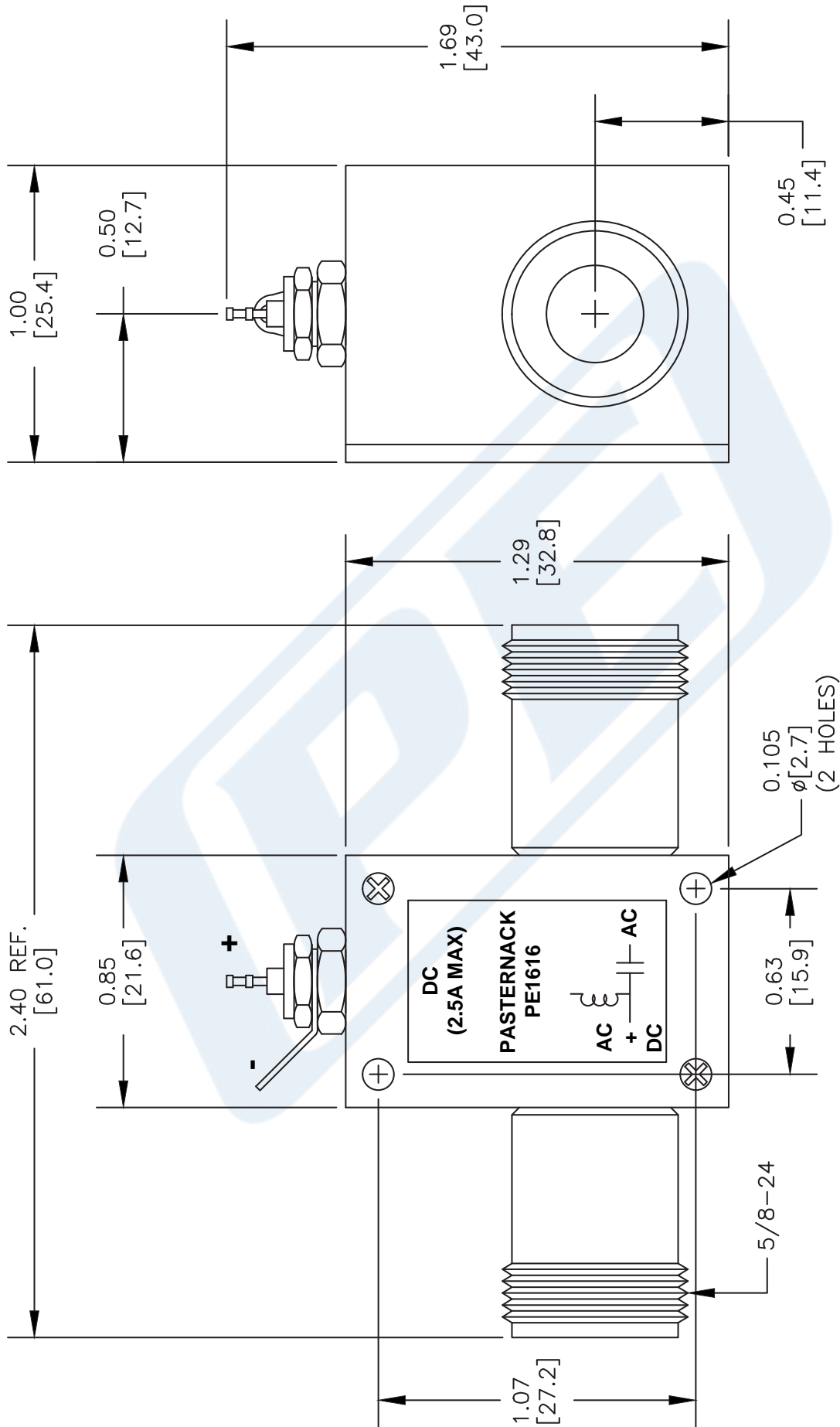
Click the following link (or enter part number in "SEARCH" on website) to obtain additional part information including price, inventory and certifications: [10 MHz to 6 GHz N Bias Tee Rated to 2500 mA and 100 Volts DC PE1616](https://www.pasternack.com/10-mhz-6-ghz-n-bias-tee-2500-ma-100-volts-dc-pe1616-p.aspx)

URL: <https://www.pasternack.com/10-mhz-6-ghz-n-bias-tee-2500-ma-100-volts-dc-pe1616-p.aspx>

The information contained in this document is accurate to the best of our knowledge and representative of the part described herein. It may be necessary to make modifications to the part and/or the documentation of the part, in order to implement improvements. Pasternack reserves the right to make such changes as required. Unless otherwise stated, all specifications are nominal. Pasternack does not make any representation or warranty regarding the suitability of the part described herein for any particular purpose, and Pasternack does not assume any liability arising out of the use of any part or documentation.

PE1616 CAD Drawing

10 MHz to 6 GHz N Bias Tee Rated to 2500 mA and 100 Volts DC



NOTES:
 1. UNLESS OTHERWISE SPECIFIED ALL DIMENSIONS ARE NOMINAL.
 2. ALL SPECIFICATIONS ARE SUBJECT TO CHANGE WITHOUT NOTICE AT ANY TIME.
 3. DIMENSIONS ARE IN INCHES [mm].

DWG TITLE
PE1616

REV. D FSCM NO. 53919 CAD FILE 022513-D SCALE N/A SIZE A 2233

PE PASTERNAK®
 Pasternack Enterprises, Inc.
 P.O. Box 16759 | Irvine | CA | 92623
 Phone: (949) 261-1920 | Fax: (949) 261-7451
 Website: www.pasternack.com | E-Mail: sales@pasternack.com