



## 2 Way 4.1/9.5 Mini DIN Power Divider from 617 MHz to 2.7 GHz Rated at 30 Watts

### Power Dividers Technical Data Sheet

PE20DV1033A

#### Features

- 30 watt CW Rating
- 617 to 2,700 MHz
- High Power
- Mini DIN 4.1/9.5 Type Female Connector
- Mounting Bracket

#### Applications

- Indoor/Outdoor Use (IP65)
- Base Station
- 4G/LTE/AWS/PCS/PMR/UMTS/
- TETRA/WiFi/WiMAX
- Distributed Antenna Systems (DAS)
- Wireless Infrastructure

#### Description

The PE20DV1033A is a 2 way Wilkinson Power Divider with Mini DIN 4.1/9.5 Type Female connectors rated to 30 watt CW. Pasternack's family of Power Dividers are designed without solder joints and a unique construction allows for exceptional performance within the 617 to 2,700 MHz frequency range. They are offered in a range of output port options to allow flexibility in the design of your DAS system. They can be used indoor or outdoor as they meet the moisture requirements of IP65. They are available in two different connector types: N and Mini DIN 4.1/9.5.

#### Electrical Specifications

Design	Wilkinson
Number of Output Ports	2

Description	Minimum	Typical	Maximum	Units
Frequency Range	0.617		2.7	GHz
Impedance		50		Ohms
Input VSWR			1.3:1	
Output VSWR			1.2:1	
Insertion Loss			0.5	dB
Isolation	21			dB
Input Power (CW)			30	Watts
Reverse Power (CW)			0.4	Watts

Click the following link (or enter part number in "SEARCH" on website) to obtain additional part information including price, inventory and certifications: [2 Way 4.1/9.5 Mini DIN Power Divider from 617 MHz to 2.7 GHz Rated at 30 Watts PE20DV1033A](#)



## 2 Way 4.1/9.5 Mini DIN Power Divider from 617 MHz to 2.7 GHz Rated at 30 Watts

### Power Dividers Technical Data Sheet

PE20DV1033A

#### Specifications by Frequency

Description	F1	F2	F3	F4	F5	Units
Frequency Range	0.617 to 0.698	0.698 to 2.7				GHz
Input VSWR, Max	1.3:1	1.2:1				
Output VSWR, Max	1.2:1	1.2:1				
Insertion Loss, Max	0.3	0.5				dB
Isolation, Min	21	22				dB

#### Mechanical Specifications

Weight	0.461 lbs [209.11 g]
Housing Material and Plating	Aluminum, Chem Film

#### Configuration

Package Type	Connectorized
Input Connector	4.1/9.5 Mini DIN Female
Output Connectors	4.1/9.5 Mini DIN Female
Ingress Protection (IP) Rating	IP65

#### Compliance Certifications (see [product page](#) for current document)

#### Plotted and Other Data

Notes:

2 Way 4.1/9.5 Mini DIN Power Divider from 617 MHz to 2.7 GHz Rated at 30 Watts from Pasternack Enterprises has same day shipment for domestic and International orders. Our RF, microwave and millimeter wave products maintain a 99.4% availability and are part of the broadest selection in the industry.

Click the following link (or enter part number in "SEARCH" on website) to obtain additional part information including price, inventory and certifications: [2 Way 4.1/9.5 Mini DIN Power Divider from 617 MHz to 2.7 GHz Rated at 30 Watts PE20DV1033A](#)

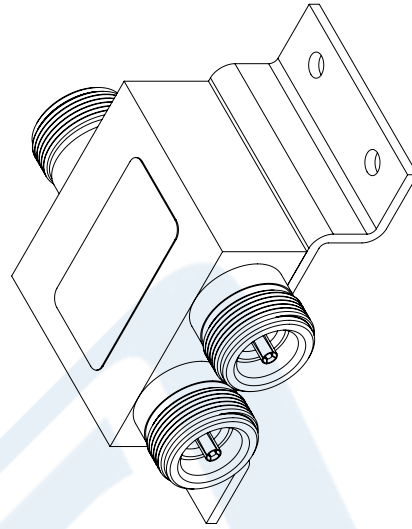
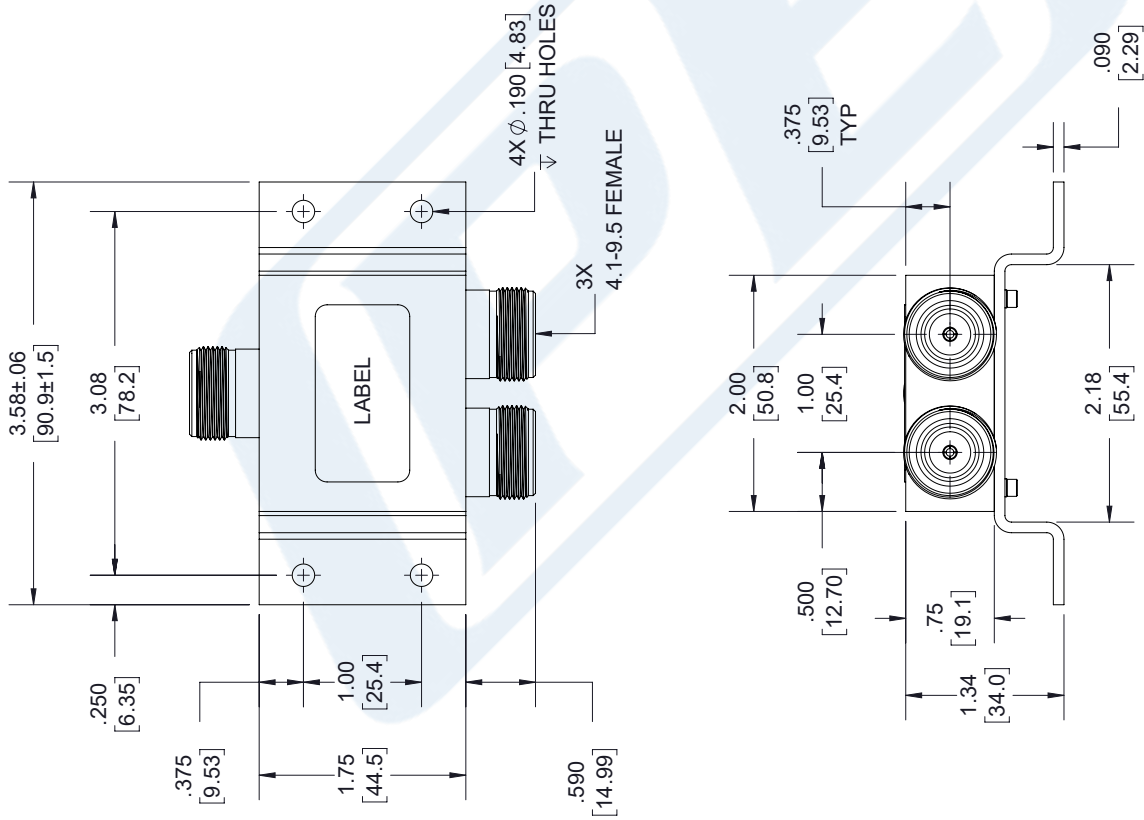
URL: <https://www.pasternack.com/2-way-4.1-9.5-mini-din-power-divider-2.7-ghz-pe20dv1033a-p.aspx>

The information contained in this document is accurate to the best of our knowledge and representative of the part described herein. It may be necessary to make modifications to the part and/or the documentation of the part, in order to implement improvements. Pasternack reserves the right to make such changes as required. Unless otherwise stated, all specifications are nominal. Pasternack does not make any representation or warranty regarding the suitability of the part described herein for any particular purpose, and Pasternack does not assume any liability arising out of the use of any part or documentation.

# PE20DV1033A CAD Drawing

2 Way 4.1/9.5 Mini DIN Power Divider from 617 MHz to 2.7 GHz Rated at 30 Watts

REV.	DESCRIPTION	DATE	APPROVED
A	INITIAL RELEASE	01/28/19	S.PONG



UNLESS OTHERWISE SPECIFIED LEADING DIMENSIONS ARE INCHES DIMENSIONS IN [ ] ARE MILLIMETERS	
TOLERANCES:	FRACTIONS
X±.2 [5.08]	±.132
XX±.01 [25]	±.132
XXX±.005 [1.13]	ANGLES ± 1°
ALL DIMENSIONS SHOWN ARE FOR REFERENCE ONLY.	
THIRD-ANGLE PROJECTION	

 <b>PASTERNAK</b> an INFINITI <sup>B</sup> brand Pasternack Enterprises, Inc. P.O. Box 16759, Irvine, CA 92623. Phone: 1.949.261.1920   1.866.727.8376 Fax: 1.949.261.7451 www.pasternack.com   e-mail: sales@pasternack.com		THE INFORMATION AND DESIGN IN THIS DOCUMENT IS THE PROPERTY OF PASTERNAK CORPORATION. ALL RIGHTS RESERVED. SHEET 1 OF 1 SCALE N/A
SIZE A CAGE 53919 DRAWN BY KDANG	PART NUMBER PE20DV1033A REV A	REV A

INPUT  
  
**PE20DV1033A**  
 D/C: XXYY  
 OUTPUT(s)

LABEL:

THESE COMMODITIES, TECHNOLOGY OR SOFTWARE WERE EXPORTED FROM THE UNITED STATES IN ACCORDANCE WITH THE EXPORT ADMINISTRATION REGULATIONS. DIVERSION CONTRARY TO U.S. LAW PROHIBITED.