



Dual Directional 20 dB SMA Coupler From
12.4 GHz to 18 GHz Rated to 50 Watts

Couplers Technical Data Sheet

PE2224-20

Electrical Specifications

Description	Minimum	Typical	Maximum	Units
Frequency Range	12.4		18	GHz
Impedance		50		Ohms
Coupling		20 ±1.25		dB
Frequency Sensitivity			±0.6	dB
Insertion Loss			1	dB
Directivity	15			dB
Main Line VSWR			1.4:1	
Secondary Line VSWR			1.4:1	
Input Power (CW)			50	Watts
Input Power (Peak)			1	kWatts

Electrical Specification Notes:
Values at 25°C, sea level.

Mechanical Specifications

Size

Length	2.85 in [72.39 mm]
Width/Dia.	0.38 in [9.65 mm]
Height	1.2 in [30.48 mm]
Weight	0.084 lbs [38.1 g]

Configuration

Input Connector	SMA Female
Output Connector	SMA Female
Coupled Connectors	SMA Female

Compliance Certifications (see [product page](#) for current document)

Plotted and Other Data

Notes:

- Values at 25°C, sea level.

Click the following link (or enter part number in "SEARCH" on website) to obtain additional part information including price, inventory and certifications: [Dual Directional 20 dB SMA Coupler From 12.4 GHz to 18 GHz Rated to 50 Watts PE2224-20](#)



Dual Directional 20 dB SMA Coupler From 12.4 GHz to 18 GHz Rated to 50 Watts

Couplers Technical Data Sheet

PE2224-20

Dual Directional 20 dB SMA Coupler From 12.4 GHz to 18 GHz Rated to 50 Watts from Pasternack Enterprises has same day shipment for domestic and International orders. Our RF, microwave and millimeter wave products maintain a 99.4% availability and are part of the broadest selection in the industry.

Click the following link (or enter part number in "SEARCH" on website) to obtain additional part information including price, inventory and certifications: [Dual Directional 20 dB SMA Coupler From 12.4 GHz to 18 GHz Rated to 50 Watts PE2224-20](https://www.pasternack.com/dual-directional-20-db-sma-coupler-12.4-18-ghz-10-watts-pe2224-20-p.aspx)

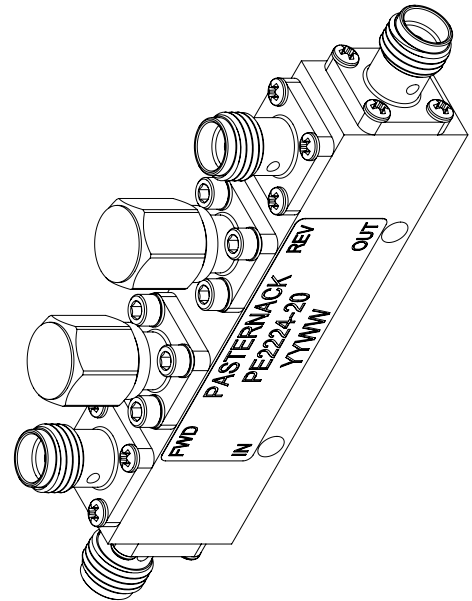
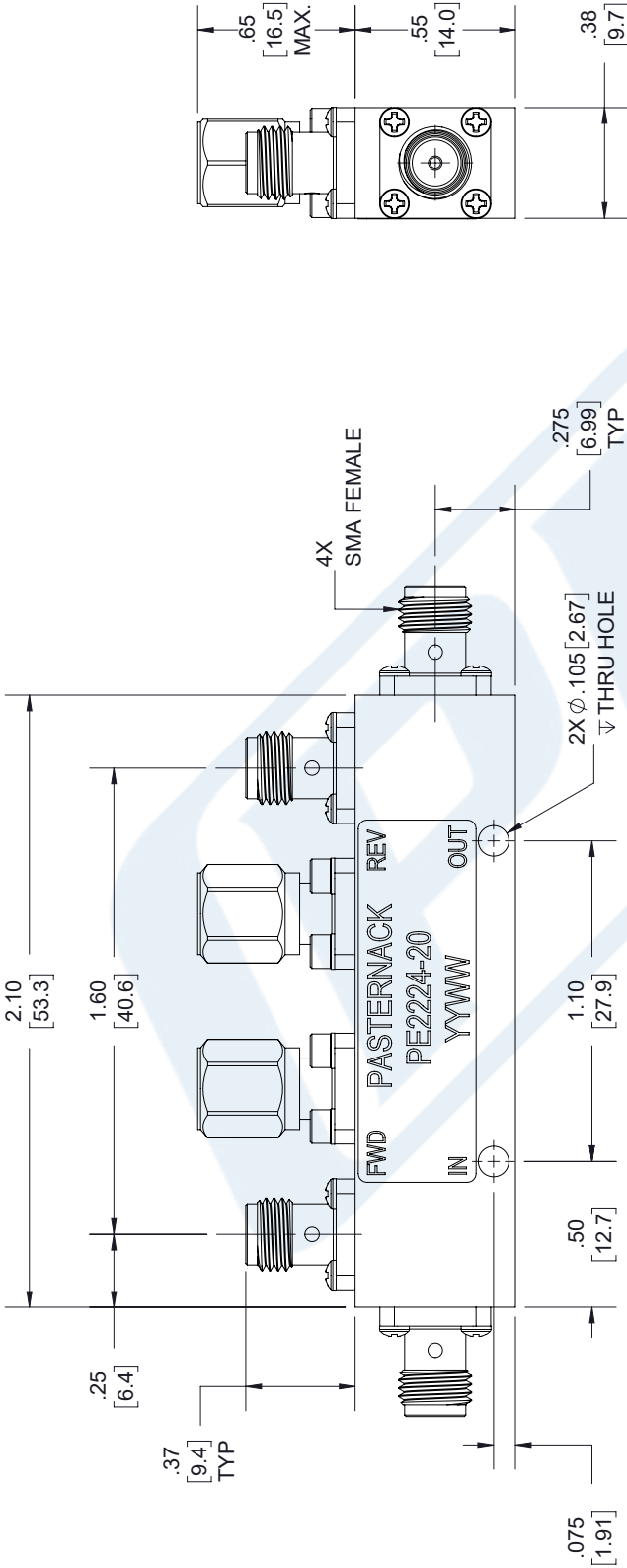
URL: <https://www.pasternack.com/dual-directional-20-db-sma-coupler-12.4-18-ghz-10-watts-pe2224-20-p.aspx>

The information contained in this document is accurate to the best of our knowledge and representative of the part described herein. It may be necessary to make modifications to the part and/or the documentation of the part, in order to implement improvements. Pasternack reserves the right to make such changes as required. Unless otherwise stated, all specifications are nominal. Pasternack does not make any representation or warranty regarding the suitability of the part described herein for any particular purpose, and Pasternack does not assume any liability arising out of the use of any part or documentation.

PE2224-20 CAD Drawing

Dual Directional 20 dB SMA Coupler From 12.4 GHz to 18 GHz Rated to 50 Watts

REVISIONS			
REV.	DESCRIPTION	DATE	APPROVED
A	INITIAL RELEASE	09/24/19	J.GARCIA



UNLESS OTHERWISE SPECIFIED
LEADING DIMENSIONS ARE INCHES
DIMENSIONS IN [] ARE MILLIMETERS

TOLERANCES:
X \pm 2 [5.08] FRACTIONS
XX \pm .01 [.25] \pm 132
.XXX \pm .005 [.13] ANGLES \pm 1°

ALL DIMENSIONS SHOWN
ARE FOR REFERENCE ONLY.

THIRD-ANGLE PROJECTION

PE PASTERNAK
an INFINITO brand

Pasternack Enterprises, Inc.
P.O. Box 16759, Irvine, CA 92623.
Phone: 1.949.261.1920 | 1.866.727.8376
Fax: 1.949.261.7451
www.pasternack.com | e-mail: sales@pasternack.com

SIZE [CAGE CODE] DRAWN BY PART NUMBER
A 53919 K.DANG PE2224-20

THE INFORMATION AND
DESIGN IN THIS DOCUMENT
IS THE PROPERTY OF
PASTERNAK CORPORATION.
ALL RIGHTS RESERVED.

SHEET 1 OF 1
SCALE N/A
REV A