

BNC Male to BNC Male Cable 24 Inch Length Using RG58 Coax

PE3067/SP6-24

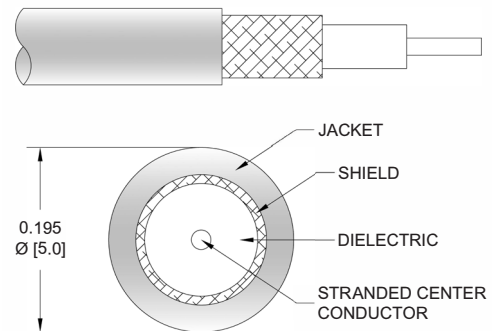


Configuration

- Connector 1: BNC Male
- Connector 2: BNC Male
- Cable Type: RG58
- Coax Flex Type: Flexible

Features

- Max Frequency 4 GHz
- 65.9% Phase Velocity
- PVC (NC) Jacket



Applications

- General Purpose
- Laboratory Use

Description

Pasternack's PE3067/SP6-24 BNC male to BNC male 24 inch cable using RG58 coax is part of our full line of RF components available for same-day shipping. Pasternack's flexible RF cable assemblies are ideal for applications where tight bends and flexure are required. This Pasternack BNC to BNC cable assembly has a male to male gender configuration with 50 ohm flexible RG58 coax. The PE3067/SP6-24 BNC male to BNC male cable assembly operates to 4 GHz.

Custom versions of most RF cable assemblies can be built and shipped same day. Custom cable assembly lengths can be obtained by specifying the desired length on the web site at time of order or by contacting a sales representative. Other available RF cable assembly value added services include connector orientation or clocking, heat shrink booting and custom labeling. RF testing can also be performed to document the electrical performance of your cable assembly.

Electrical Specifications

Description	Minimum	Typical	Maximum	Units
Frequency Range	DC		4	GHz
VSWR			1.4:1	
Velocity of Propagation		65.9		%
Capacitance		30.8 [101.05]		pF/ft [pF/m]
Operating Voltage (AC)			500	Vrms

Specifications by Frequency

Description	F1	F2	F3	F4	F5	Units
Frequency	0.1	0.25	0.5	1	4	GHz
Insertion Loss (Typ.)	0.228	0.29	0.393	0.6	1.2	dB

BNC Male to BNC Male Cable 24 Inch Length Using RG58 Coax

PE3067/SP6-24



Electrical Specification Notes:

The Insertion Loss data above is based on the performance specifications of the coax and connectors used in this assembly. The Insertion Loss includes an estimated insertion loss of 0.1 dB per connector.

Mechanical Specifications

Cable Assembly

Length	24 in [609.6 mm]
Weight	0.054 lbs [24.49 g]

Cable

Cable Type	RG58
Impedance	50 Ohms
Inner Conductor Type	Stranded
Inner Conductor Material and Plating	Copper, Tin
Dielectric Type	PE
Number of Shields	1
Shield Layer 1	Tinned Copper Braid
Jacket Material	PVC (NC), Black
Jacket Diameter	0.195 in [4.95 mm]
One Time Minimum Bend Radius	0.98 in [24.89 mm]
Repeated Minimum Bend Radius	1.96 in [49.78 mm]

Connectors

Description	Connector 1	Connector 2
Type	BNC Male	BNC Male
Specification	MIL-STD-348A	MIL-STD-348A
Impedance	50 Ohms	50 Ohms
Configuration	Straight	Straight
Contact Material and Plating	Brass, Gold	Brass, Gold
Dielectric Type	Delrin	Delrin
Body Material and Plating	Brass, Nickel	Brass, Nickel
Coupling Nut Material and Plating	Brass, Nickel	Brass, Nickel

Environmental Specifications

Operating Range Temperature	-40 to +80 deg C
-----------------------------	------------------

Compliance Certifications (see [product page](#) for current document)

Plotted and Other Data

Notes:

BNC Male to BNC Male Cable 24 Inch Length Using RG58 Coax



PE3067/SP6-24

Typical Performance Data

How to Order

Part Number Configuration:

PE3067/SP6

- xx

uu

Unit of Measure:
cm = Centimeters
<blank> = Inches
Length
Base Number

Example: PE3067/SP6-12 = 12 inches long cable
PE3067/SP6-100cm = 100 cm long cable

BNC Male to BNC Male Cable 24 Inch Length Using RG58 Coax from Pasternack Enterprises has same day shipment for domestic and International orders. Our RF, microwave and millimeter wave products maintain a 99.4% availability and are part of the broadest selection in the industry.

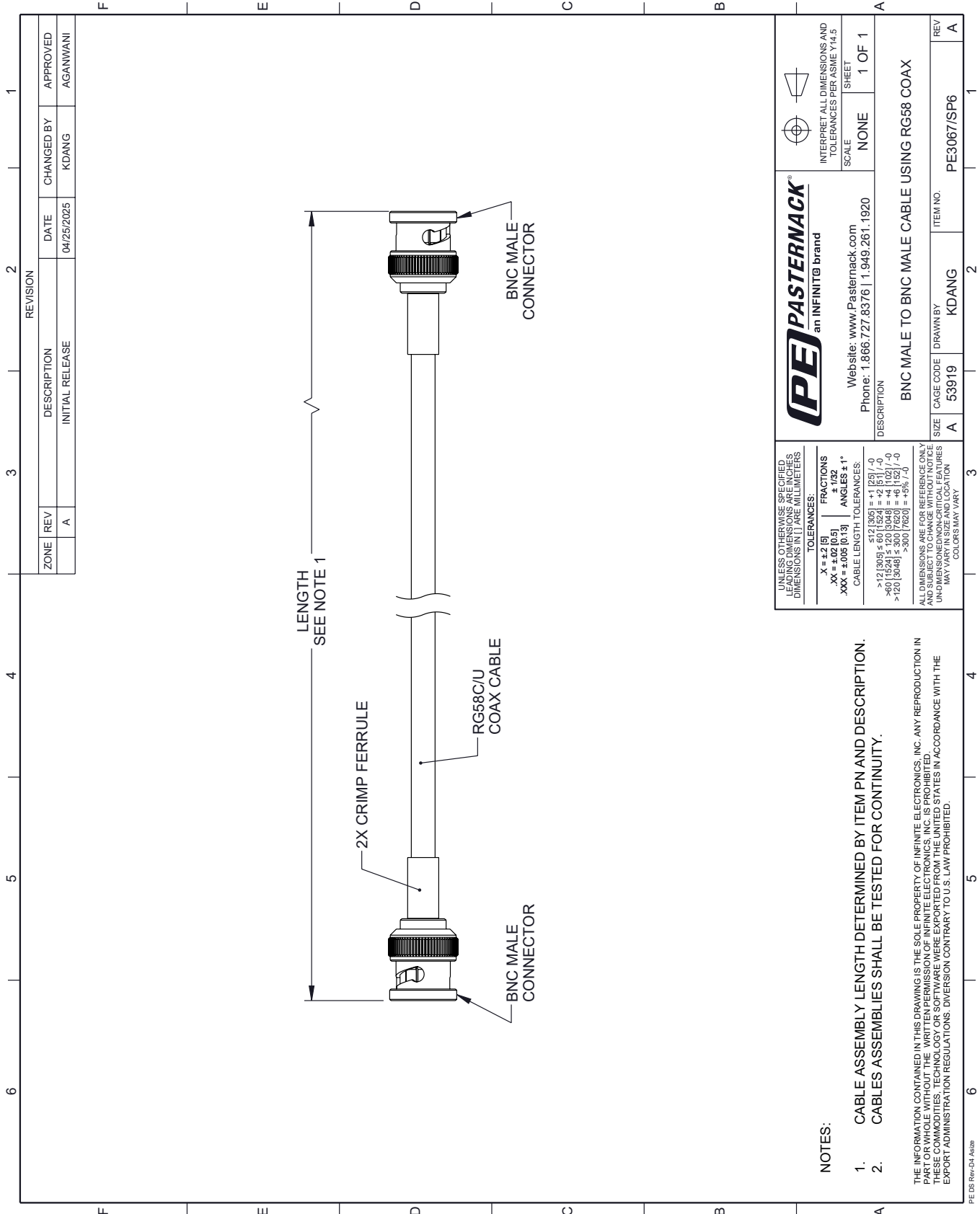
Click the following link (or enter part number in "SEARCH" on website) to obtain additional part information including price, inventory and certifications: [BNC Male to BNC Male Cable 24 Inch Length Using RG58 Coax PE3067/SP6-24](#)

URL: <https://www.pasternack.com/bnc-male-to-bnc-male-cable-using-rg58-pe3067-sp6-24-p.aspx>

The information contained within this document is accurate to the best of our knowledge and representative of the part described herein. It may be necessary to make modifications to the part and/or the documentation of the part in order to implement improvements. Pasternack Enterprises reserves the right to make such changes as required. Unless otherwise stated, all specifications are nominal. Pasternack Enterprises does not make any representation or warranty regarding the suitability of the part described herein for any particular purpose, and Pasternack Enterprises does not assume liability arising out of the use of any part or document.

PE3067/SP6-24 CAD Drawing

BNC Male to BNC Male Cable 24 Inch Length Using RG58 Coax



REVISION		DATE	CHANGED BY	APPROVED
ZONE	REV			
	A	04/25/2025	KDANG	AGANWANI
DESCRIPTION				
INITIAL RELEASE				

Website: www.Pasternack.com Phone: 1.866.727.8376 1.949.261.1920		INTERPRET ALL DIMENSIONS AND TOLERANCES PER ASME Y14.5 SCALE NONE SHEET 1 OF 1
DESCRIPTION BNC MALE TO BNC MALE CABLE USING RG58 COAX		
SIZE	CAGE CODE	ITEM NO.
A	53919	PE3067/SP6
REV	A	

UNLESS OTHERWISE SPECIFIED LEADING DIMENSIONS ARE IN INCHES DIMENSIONS IN [] ARE MILLIMETERS

TOLERANCES:
 .X = ±.2 [5]
 .XX = ±.02 [0.5]
 .XXX = ±.005 [0.13]

FRACTIONS ± 1/32
 ANGLES ± 1°

CABLE LENGTH TOLERANCES:
 ≤12 [305] ±.60 [1524] = +.2 [51] / -0
 >12 [305] ≤.60 [1524] = +.2 [51] / -0
 >60 [1524] ≤.120 [3048] = +.4 [1027] / -0
 >120 [3048] >.300 [7620] = +.5% [1.4]

ALL DIMENSIONS ARE FOR REFERENCE ONLY UNLESS OTHERWISE SPECIFIED. DIMENSIONS IN NON-CRITICAL FEATURES MAY VARY IN SIZE AND LOCATION. COLORS MAY VARY.

NOTES:
 1. CABLE ASSEMBLY LENGTH DETERMINED BY ITEM PN AND DESCRIPTION.
 2. CABLE ASSEMBLIES SHALL BE TESTED FOR CONTINUITY.

THE INFORMATION CONTAINED IN THIS DRAWING IS THE SOLE PROPERTY OF INFINITE ELECTRONICS, INC. ANY REPRODUCTION IN PART OR WHOLE WITHOUT THE WRITTEN PERMISSION OF INFINITE ELECTRONICS, INC. IS PROHIBITED. THESE COMMODITIES, TECHNOLOGY OR SOFTWARE WERE EXPORTED FROM THE UNITED STATES IN ACCORDANCE WITH THE EXPORT ADMINISTRATION REGULATIONS. DIVERSION CONTRARY TO U.S. LAW PROHIBITED.

PE DS Rev-D4 As326