



7/16 DIN Male to 7/16 DIN Male Cable
72 Inch Length Using RG393 Coax

RF Cable Assemblies Technical Data Sheet

PE3205-72

Configuration

- Connector 1: 7/16 DIN Male
- Connector 2: 7/16 DIN Male
- Cable Type: RG393

Electrical Specifications

Description	Minimum	Typical	Maximum	Units
Frequency Range	DC		7.5	GHz
VSWR			1.5:1	
Capacitance		29.4 [96.46]		pF/ft [pF/m]
Operating Voltage (AC)			500	Vrms

Specifications by Frequency

Description	F1	F2	F3	F4	F5	Units
Frequency	0.25	0.5	1	2.5	7.5	GHz
Insertion Loss (Typ.)	0.38	0.47	0.65	0.954	1.88	dB

Mechanical Specifications

Cable Assembly

Length*	72 in [182.88 cm]
Diameter	1.25 in [31.75 mm]
Weight	1.52 lbs [689.46 g]

Cable

Cable Type	RG393
Impedance	50 Ohms
Inner Conductor Type	Stranded
Inner Conductor Material and Plating	Copper, Silver
Dielectric Type	PTFE
Number of Shields	2
Shield Layer 1	Silver Plated Copper Braid
Shield Layer 2	Silver Plated Copper Braid

Click the following link (or enter part number in "SEARCH" on website) to obtain additional part information including price, inventory and certifications: [7/16 DIN Male to 7/16 DIN Male Cable 72 Inch Length Using RG393 Coax PE3205-72](#)



7/16 DIN Male to 7/16 DIN Male Cable
72 Inch Length Using RG393 Coax

RF Cable Assemblies Technical Data Sheet

PE3205-72

Jacket Material FEP, Tan
Jacket Diameter 0.39 in [9.91 mm]

Connectors

Description	Connector 1	Connector 2
Type	7/16 DIN Male	7/16 DIN Male
Specification	IEC 169-4	IEC 169-4
Impedance	50 Ohms	50 Ohms
Contact Material and Plating	Brass/Beryllium Copper, Gold	Brass/Beryllium Copper, Gold
Contact Plating Specification	30µ in. minimum	30µ in. minimum
Dielectric Type	Teflon	Teflon
Body Material and Plating	Brass, Nickel	Brass, Nickel
Body Plating Specification	100µ in. minimum	100µ in. minimum
Coupling Nut Material and Plating	Brass, Nickel	Brass, Nickel
Coupling Nut Plating Specification	100µ in. minimum	100µ in. minimum
Hex Size	32 mm	32 mm
Torque	18 ft-lbs [24.41 Nm]	18 ft-lbs [24.41 Nm]

Mechanical Specification Notes:

*All cable assemblies have a length tolerance of 1.5% or $\pm 3/8$ ", whichever is greater.

Compliance Certifications (see [product page](#) for current document)

Plotted and Other Data

Notes:

- Values at 25°C, sea level.

Click the following link (or enter part number in "SEARCH" on website) to obtain additional part information including price, inventory and certifications: [7/16 DIN Male to 7/16 DIN Male Cable 72 Inch Length Using RG393 Coax PE3205-72](#)



7/16 DIN Male to 7/16 DIN Male Cable
72 Inch Length Using RG393 Coax

RF Cable Assemblies Technical Data Sheet

PE3205-72

How to Order

Part Number Configuration:

PE3205

- xx

uu

Unit of Measure:
cm = Centimeters
<blank> = Inches
Length
Base Number

Example: PE3205-12 = 12 inches long cable
PE3205-100cm = 100 cm long cable

7/16 DIN Male to 7/16 DIN Male Cable 72 Inch Length Using RG393 Coax from Pasternack Enterprises has same day shipment for domestic and International orders. Our RF, microwave and millimeter wave products maintain a 99.4% availability and are part of the broadest selection in the industry.

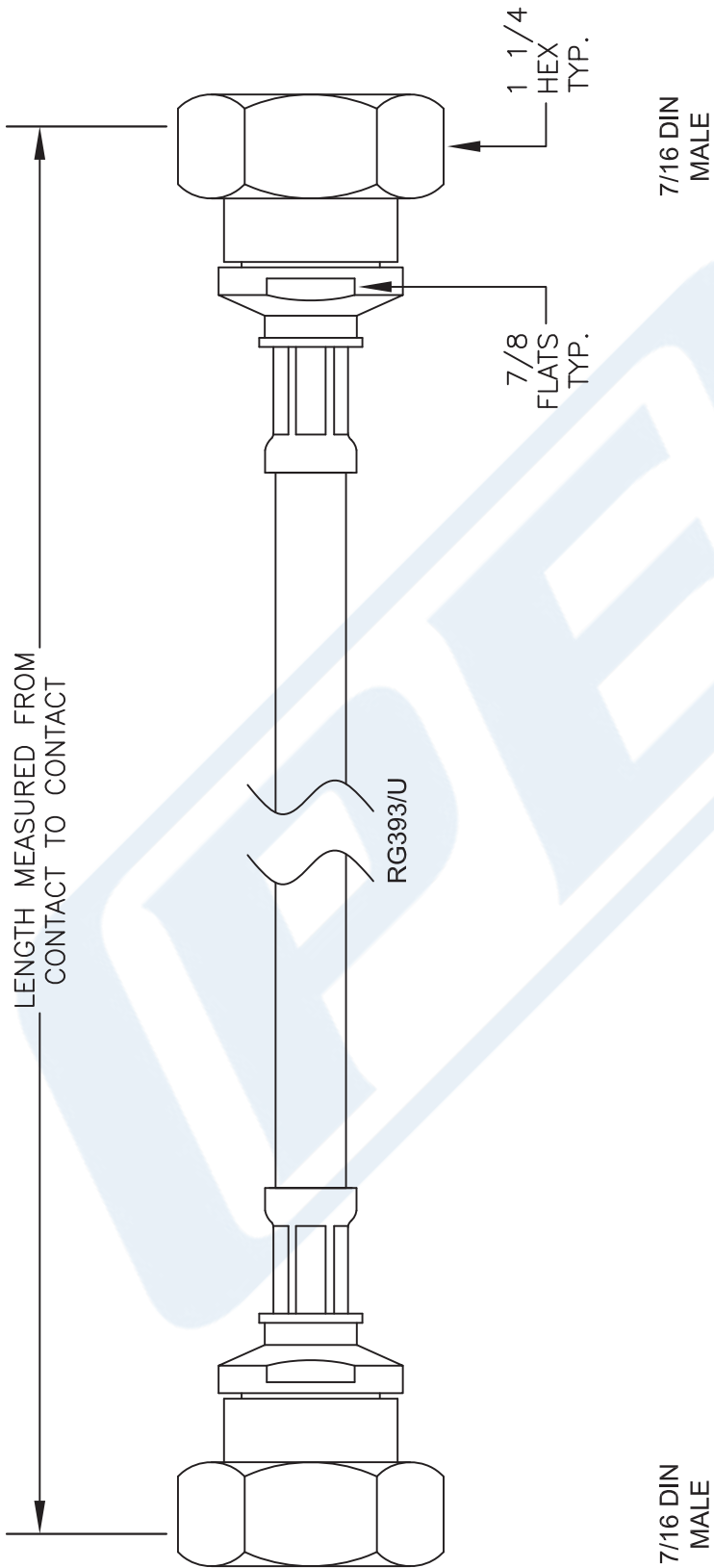
Click the following link (or enter part number in "SEARCH" on website) to obtain additional part information including price, inventory and certifications: [7/16 DIN Male to 7/16 DIN Male Cable 72 Inch Length Using RG393 Coax PE3205-72](https://www.pasternack.com/7-16-male-7-16-male-rg393u-cable-assembly-pe3205-72-p.aspx)

URL: <https://www.pasternack.com/7-16-male-7-16-male-rg393u-cable-assembly-pe3205-72-p.aspx>

The information contained in this document is accurate to the best of our knowledge and representative of the part described herein. It may be necessary to make modifications to the part and/or the documentation of the part, in order to implement improvements. Pasternack reserves the right to make such changes as required. Unless otherwise stated, all specifications are nominal. Pasternack does not make any representation or warranty regarding the suitability of the part described herein for any particular purpose, and Pasternack does not assume any liability arising out of the use of any part or documentation.

PE3205-72 CAD Drawing

7/16 DIN Male to 7/16 DIN Male Cable 72 Inch Length Using RG393 Coax



NOTES:
 1. UNLESS OTHERWISE SPECIFIED ALL DIMENSIONS ARE NOMINAL.
 2. ALL SPECIFICATIONS ARE SUBJECT TO CHANGE WITHOUT NOTICE AT ANY TIME.
 3. DIMENSIONS ARE IN INCHES [mm].

DWG TITLE
PE3205

CAGE CODE **53919**

SCALE N/A

SIZE A

CAD FILE 011217

2233

(PE) PASTERNAK®
 THE ENGINEER'S RF SOURCE
 Pasternack Enterprises, Inc.
 P.O. Box 16759 | Irvine | CA | 92623
Phone: (949) 261-1920 | **Fax:** (949) 261-7451
Website: www.pasternack.com | **E-Mail:** sales@pasternack.com