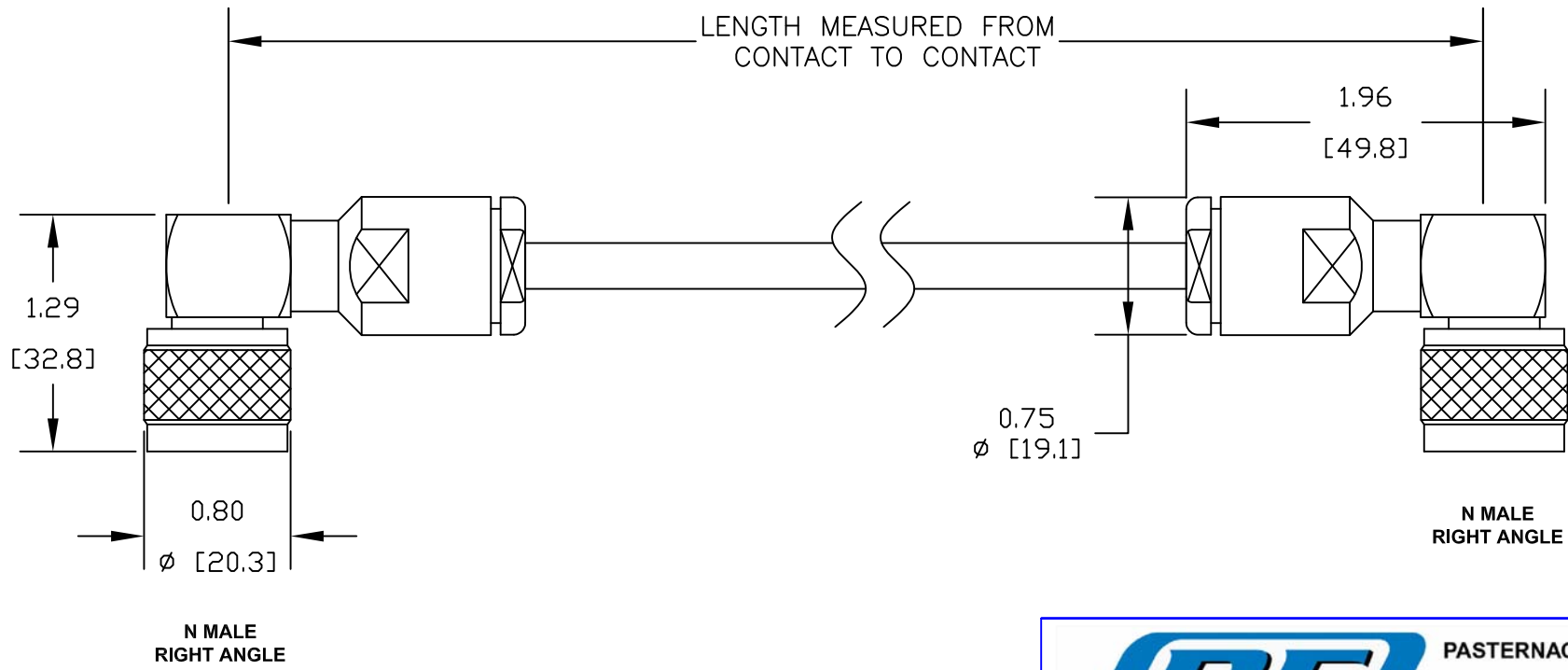


COMPONENTS	IMPEDANCE
N MALE RIGHT ANGLE	50 OHM
N MALE RIGHT ANGLE	50 OHM
PE-SR401FL	50 OHM

Standard Lengths	
-12	12"
-24	24"
-36	36"
-48	48"
-60	60"
-XXX	Custom Length in inches




**PASTERNAK ENTERPRISES, INC.**  
 P.O BOX 16759, IRVINE, CA 92623  
 PHONE (949) 261-1920 FAX (949) 261-7451  
 WEB ADDRESS: [www.pasternack.com](http://www.pasternack.com)  
 E-MAIL ADDRESS: [sales@pasternack.com](mailto:sales@pasternack.com)  
**COAXIAL & FIBER OPTICS**

ESTABLISHED 1972

DWG TITLE	<b>PE34680-XX</b>				
DES.	CABLE ASSEMBLY, PE-SR401FL, N MALE RIGHT ANGLE TO N MALE RIGHT ANGLE				
REV. -	FSCM NO. 53919	CAD FILE 062811	SCALE N/A	SIZE A	2231

- NOTES:**
- UNLESS OTHERWISE SPECIFIED ALL DIMENSIONS ARE NOMINAL.
  - ALL SPECIFICATIONS ARE SUBJECT TO CHANGE WITHOUT NOTICE AT ANY TIME.
  - DIMENSIONS ARE IN INCHES [mm].
  - LENGTH TOLERANCE IS ± 1.5% OR ±3/8", WHICHEVER IS GREATER.