

BNC Male Right Angle to BNC Male Right Angle Low Loss Cable Using PE-P195 Coax with HeatShrink



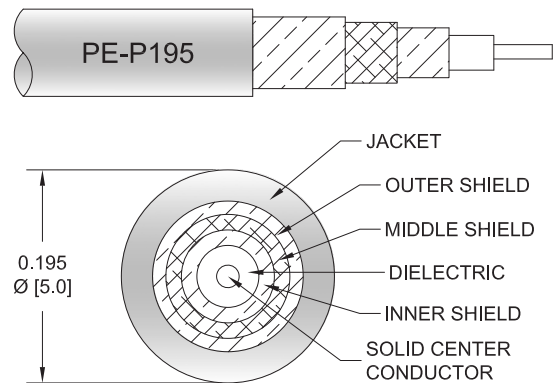
PE37640/HS

Configuration

- Connector 1: BNC Male Right Angle
- Connector 2: BNC Male Right Angle
- Cable Type: PE-P195
- Coax Flex Type: Flexible

Features

- Max Frequency 3 GHz
- 70% Phase Velocity
- Triple Shielded
- FEP Jacket



Applications

- General Purpose
- Laboratory Use

Description

Pasternack's PE37640/HS BNC male right angle to BNC male right angle cable using PE-P195 coax is part of our full line of RF components available for same-day shipping. Pasternack's flexible RF cable assemblies are ideal for applications where tight bends and flexure are required. This Pasternack BNC to BNC cable assembly has a male to male gender configuration with 50 ohm flexible PE-P195 coax. The PE37640/HS BNC male to BNC male cable assembly operates to 3 GHz. The right angle BNC interfaces on the PE-P195 cable allow for easier connections in tight spaces. The triple shielding of this Pasternack cable assembly provides excellent shielding effectiveness.

Custom versions of most RF cable assemblies can be built and shipped same day. Custom cable assembly lengths can be obtained by specifying the desired length on the web site at time of order or by contacting a sales representative. Other available RF cable assembly value added services include connector orientation or clocking, heat shrink booting and custom labeling. RF testing can also be performed to document the electrical performance of your cable assembly.

Electrical Specifications

Description	Minimum	Typical	Maximum	Units
Frequency Range	DC		3	GHz
VSWR			1.4:1	
Velocity of Propagation		70		%
Capacitance		29 [95.14]		pF/ft [pF/m]
Operating Voltage (AC)			500	Vrms

Specifications by Frequency

BNC Male Right Angle to BNC Male Right Angle Low Loss Cable Using PE-P195 Coax with HeatShrink



PE37640/HS

Part Number	Length	Description	F1	F2	F3	F4	F5	Units	Weight (lbs)
			Frequency	100	250	500	1000	3000	
PE37640/HS	Custom Lengths Available	Insertion Loss (Typ.)	0.039	0.057	0.088	0.125	0.22	dB/ft	
			0.13	0.19	0.29	0.42	0.73	dB/m	
PE37640/HS-12	12 In	Insertion Loss (Typ.)	0.44	0.46	0.49	0.53	0.62	dB	0.146
PE37640/HS-24	24 In	Insertion Loss (Typ.)	0.48	0.52	0.58	0.65	0.84	dB	0.185
PE37640/HS-36	36 In	Insertion Loss (Typ.)	0.52	0.58	0.67	0.78	1.06	dB	0.223
PE37640/HS-60	60 In	Insertion Loss (Typ.)	0.6	0.69	0.84	1.03	1.5	dB	0.299
PE37640/HS-72	72 In	Insertion Loss (Typ.)	0.64	0.75	0.93	1.15	1.72	dB	0.337

The insertion loss data for the base model does not include loss due to the connectors. Each length includes insertion loss due to the connectors.

Loss due to Connector 1: 0.2 dB
 Loss due to Connector 2: 0.2 dB
 Base Weight: 0.146 pounds
 Additional Weight per Inch: 0.00317 pounds

Mechanical Specifications

Cable Assembly

Width/Diameter 0.5 in [12.7 mm]
 Weight 0.108 lbs [48.99 g]

Cable

Cable Type PE-P195
 Impedance 50 Ohms
 Inner Conductor Type Solid
 Inner Conductor Material and Plating Copper Clad Steel, Silver
 Dielectric Type PTFE
 Number of Shields 3
 Shield Layer 1 Silver Plated Copper Braid
 Shield Layer 2 Aluminum Tape
 Shield Layer 3 Silver Plated Copper Braid
 Jacket Material FEP, Tan
 Jacket Diameter 0.195 in [4.95 mm]
 Repeated Minimum Bend Radius 1 in [25.4 mm]

BNC Male Right Angle to BNC Male Right Angle Low Loss Cable Using PE-P195 Coax with HeatShrink



PE37640/HS

Connectors

Description	Connector 1	Connector 2
Type	BNC Male Right Angle	BNC Male Right Angle
Specification	MIL-STD-348A	MIL-STD-348A
Impedance	50 Ohms	50 Ohms
Configuration	Right Angle	Right Angle
Contact Material and Plating	Brass, Gold	Brass, Gold
Contact Plating Specification	30 µin minimum	30 µin minimum
Dielectric Type	PTFE	PTFE
Body Material and Plating	Brass, Nickel	Brass, Nickel
Body Plating Specification	100 µin minimum	100 µin minimum
Coupling Nut Material and Plating	Brass, Nickel	Brass, Nickel
Coupling Nut Plating Specification	100 µin minimum	100 µin minimum

Environmental Specifications

Operating Range Temperature -55 to +165 deg C

Compliance Certifications (see [product page](#) for current document)

Plotted and Other Data

Notes:

BNC Male Right Angle to BNC Male Right Angle Low Loss Cable Using PE-P195 Coax with HeatShrink

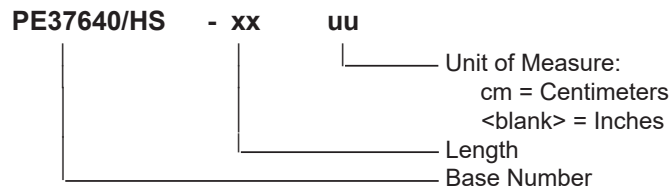


PE37640/HS

Typical Performance Data

How to Order

Part Number Configuration:



Example: PE37640/HS-12 = 12 inches long cable
PE37640/HS-100cm = 100 cm long cable

BNC Male Right Angle to BNC Male Right Angle Low Loss Cable Using PE-P195 Coax with HeatShrink from Pasternack Enterprises has same day shipment for domestic and International orders. Our RF, microwave and millimeter wave products maintain a 99.4% availability and are part of the broadest selection in the industry.

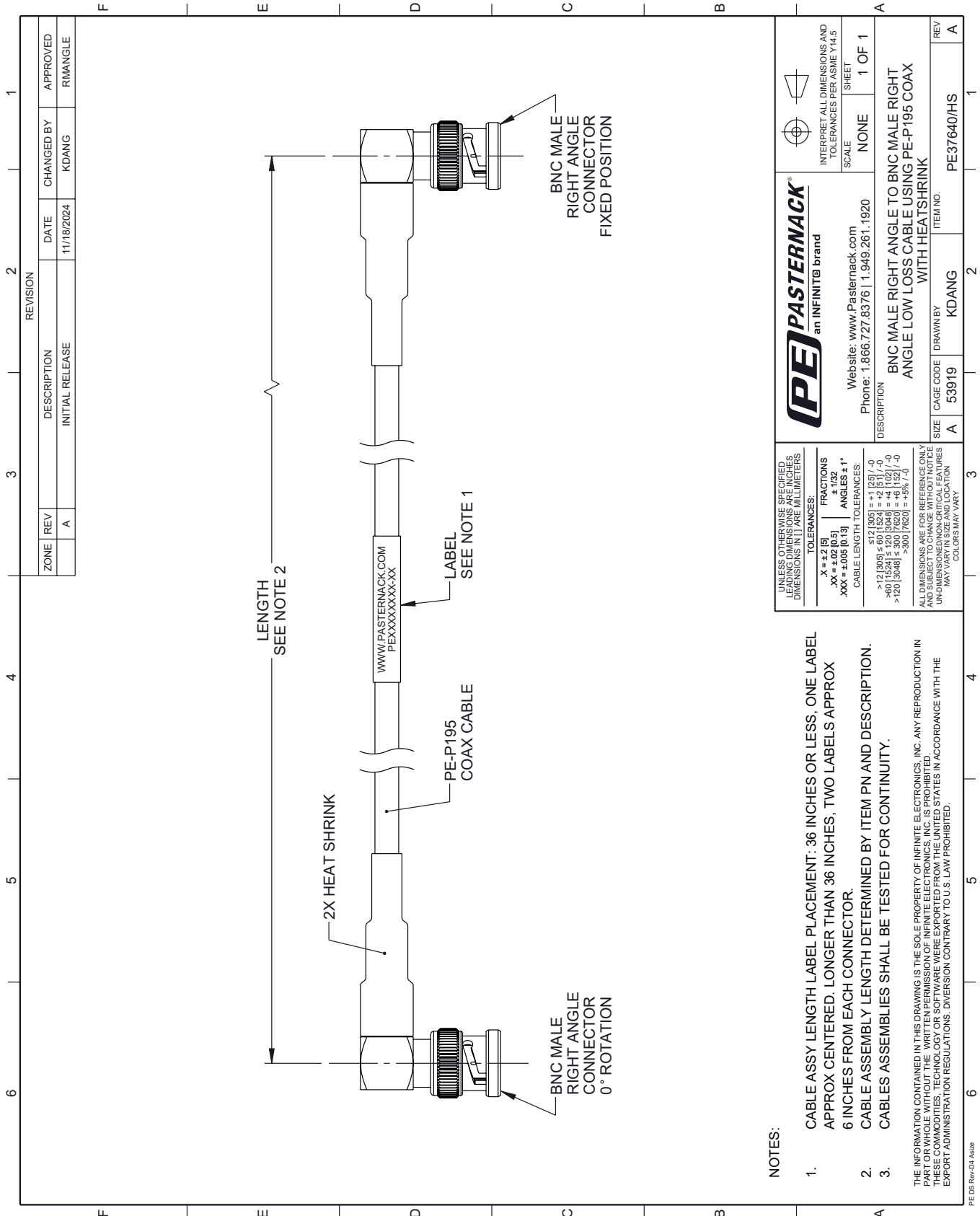
Click the following link (or enter part number in "SEARCH" on website) to obtain additional part information including price, inventory and certifications: [BNC Male Right Angle to BNC Male Right Angle Low Loss Cable Using PE-P195 Coax with HeatShrink PE37640/HS](#)

URL: <https://www.pasternack.com/bnc-male-right-angle-to-bnc-male-low-loss-cable-using-pe-p195-with-heatshrink-pe37640-hs-p.aspx>

The information contained within this document is accurate to the best of our knowledge and representative of the part described herein. It may be necessary to make modifications to the part and/or the documentation of the part in order to implement improvements. Pasternack Enterprises reserves the right to make such changes as required. Unless otherwise stated, all specifications are nominal. Pasternack Enterprises does not make any representation or warranty regarding the suitability of the part described herein for any particular purpose, and Pasternack Enterprises does not assume liability arising out of the use of any part or document.

PE37640/HS CAD Drawing

BNC Male Right Angle to BNC Male Right Angle Low Loss Cable Using PE-P195 Coax with HeatShrink



PE PASTERNAK
an INFINITB brand

Website: www.Pasternack.com
Phone: 1.866.727.8376 | 1.949.261.1920

DESCRIPTION
BNC MALE RIGHT ANGLE TO BNC MALE RIGHT ANGLE LOW LOSS CABLE USING PE-P195 COAX WITH HEATSHRINK

SCALE NONE SHEET 1 OF 1

INTERPRET ALL DIMENSIONS AND TOLERANCES PER ASME Y14.5

SIZE	CAGE CODE	DRAWN BY	ITEM NO.	REV
A	53919	KDANG	PE37640/HS	A

UNLESS OTHERWISE SPECIFIED LEADING DIMENSIONS ARE IN INCHES DIMENSIONS IN [] ARE MILLIMETERS

TOLERANCES:
 .X = ±.2 [5]
 .XX = ±.02 [0.5]
 .XXX = ±.005 [0.13]

FRACTIONS
 ± 1/32
 ANGLES ± 1°

CABLE LENGTH TOLERANCES:
 ≤12 [305] ±.12 [3.05]
 >12 [305] ≤ 60 [1524] ±.12 [3.05]
 >60 [1524] ≤ 120 [3048] ±.12 [3.05]
 >120 [3048] ±.30 [7.62] ±.5% [1.4]

ALL DIMENSIONS ARE FOR REFERENCE ONLY UNLESS OTHERWISE SPECIFIED UNDIMENSIONED NON-CRITICAL FEATURES MAY VARY IN SIZE AND LOCATION COLORS MAY VARY