



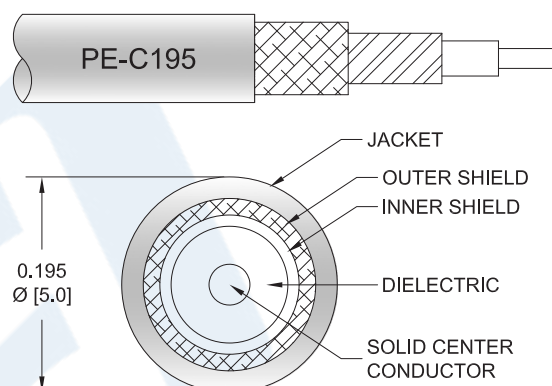
TNC Male to BNC Male Cable 36 Inch Length Using PE-C195 Coax

RF Cable Assemblies Technical Data Sheet

PE37885-36

**Configuration**

- Connector 1: TNC Male
- Connector 2: BNC Male
- Cable Type: PE-C195



**Electrical Specifications**

Description	Minimum	Typical	Maximum	Units
Frequency Range	DC		4	GHz
VSWR			1.4:1	
Velocity of Propagation		80		%
RF Shielding	90			dB
Capacitance		25.4 [83.33]		pF/ft [pF/m]
Jacket Spark			5,000	Vrms

**Specifications by Frequency**

Description	F1	F2	F3	F4	F5	Units
Frequency	0.1	0.25	0.5	1	4	GHz
Insertion Loss (Typ.)	0.286	0.365	0.436	0.535	0.881	dB
VSWR (Max.)	1.4:1	1.4:1	1.4:1	1.4:1		
Return Loss (Max.)	15.56	15.563	15.563	15.563		dB

**Mechanical Specifications**

**Cable Assembly**

Length*	36 in [914.4 mm]
Diameter	0.591 in [15.01 mm]

Click the following link (or enter part number in "SEARCH" on website) to obtain additional part information including price, inventory and certifications: [TNC Male to BNC Male Cable 36 Inch Length Using PE-C195 Coax PE37885-36](#)



TNC Male to BNC Male Cable 36 Inch Length Using PE-C195 Coax

RF Cable Assemblies Technical Data Sheet

PE37885-36

Weight	0.12 lbs [54.43 g]
<b>Cable</b>	
Cable Type	PE-C195
Impedance	50 Ohms
Inner Conductor Type	Solid
Inner Conductor Material and Plating	Copper
Dielectric Type	PE (F)
Number of Shields	2
Shield Layer 1	Aluminum Tape
Shield Layer 2	Tinned Copper Braid
Jacket Material	PE, Black
Jacket Diameter	0.195 in [4.95 mm]
One Time Minimum Bend Radius	0.5 in [12.7 mm]
Repeated Minimum Bend Radius	2 in [50.8 mm]

**Connectors**

Description	Connector 1	Connector 2
Type	TNC Male	BNC Male
Specification	MIL-STD-348A	MIL-STD-348A
Impedance	50 Ohms	50 Ohms
Contact Material and Plating	Brass, Gold	Brass, Gold
Contact Plating Specification	30µ in. minimum	30µ in. minimum
Dielectric Type	Teflon	Teflon
Body Material and Plating	Brass, Nickel	Brass, Nickel
Body Plating Specification	100µ in. minimum	100µ in. minimum

Mechanical Specification Notes:

\*All cable assemblies have a length tolerance of 1.5% or ± 3/8", whichever is greater.

**Compliance Certifications** (see [product page](#) for current document)

**Plotted and Other Data**

Notes:

- Values at 25°C, sea level.

Click the following link (or enter part number in "SEARCH" on website) to obtain additional part information including price, inventory and certifications: [TNC Male to BNC Male Cable 36 Inch Length Using PE-C195 Coax PE37885-36](#)



## TNC Male to BNC Male Cable 36 Inch Length Using PE-C195 Coax

### RF Cable Assemblies Technical Data Sheet

PE37885-36

#### How to Order

Part Number Configuration:

PE37885

- xx

uu

Unit of Measure:

cm = Centimeters

<blank> = Inches

Length

Base Number

Example: PE37885-12 = 12 inches long cable  
PE37885-100cm = 100 cm long cable

TNC Male to BNC Male Cable 36 Inch Length Using PE-C195 Coax from Pasternack Enterprises has same day shipment for domestic and International orders. Our RF, microwave and millimeter wave products maintain a 99.4% availability and are part of the broadest selection in the industry.

Click the following link (or enter part number in "SEARCH" on website) to obtain additional part information including price, inventory and certifications: [TNC Male to BNC Male Cable 36 Inch Length Using PE-C195 Coax PE37885-36](https://www.pasternack.com/tnc-male-bnc-male-pe-c195-cable-assembly-pe37885-36-p.aspx)

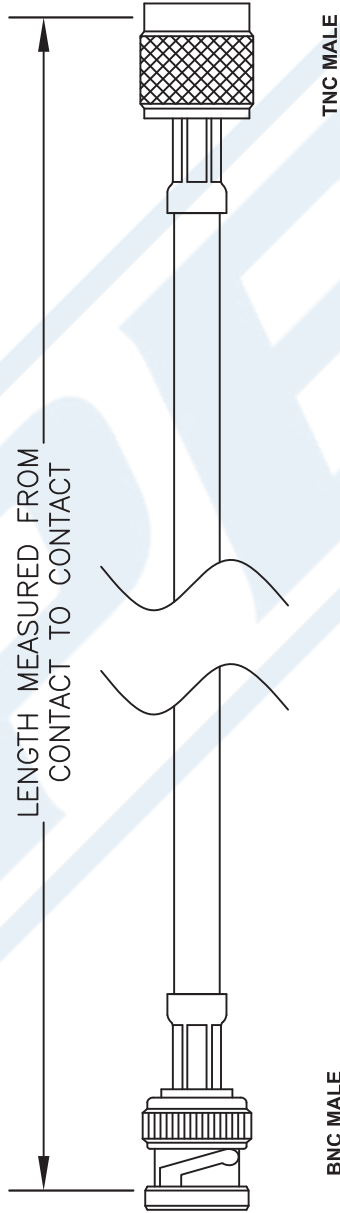
URL: <https://www.pasternack.com/tnc-male-bnc-male-pe-c195-cable-assembly-pe37885-36-p.aspx>

The information contained in this document is accurate to the best of our knowledge and representative of the part described herein. It may be necessary to make modifications to the part and/or the documentation of the part, in order to implement improvements. Pasternack reserves the right to make such changes as required. Unless otherwise stated, all specifications are nominal. Pasternack does not make any representation or warranty regarding the suitability of the part described herein for any particular purpose, and Pasternack does not assume any liability arising out of the use of any part or documentation.

# PE37885-36 CAD Drawing

## TNC Male to BNC Male Cable 36 Inch Length Using PE-C195 Coax

Standard Lengths	
-12	12"
-24	24"
-36	36"
-48	48"
-60	60"
-XXX	Custom Length in Inches



**NOTES:**  
 1. UNLESS OTHERWISE SPECIFIED ALL DIMENSIONS ARE NOMINAL.  
 2. ALL SPECIFICATIONS ARE SUBJECT TO CHANGE WITHOUT NOTICE AT ANY TIME.  
 3. DIMENSIONS ARE IN INCHES (mm).  
 4. LENGTH TOLERANCE IS  $\pm 1.5\%$  OR  $3/8"$ , WHICHEVER IS GREATER.

DWG TITLE  
**PE37885-XX**

**PASTERNAK®**  
 Pasternack Enterprises, Inc.  
 P.O. Box 16759 | Irvine | CA | 92623  
**Phone:** (949) 261-1920 | **Fax:** (949) 261-7451  
**Website:** www.pasternack.com | **E-Mail:** sales@pasternack.com

REV. -	FSCM NO. 53919	CAD FILE 082411	SCALE N/A	SIZE A	2231
--------	----------------	-----------------	-----------	--------	------