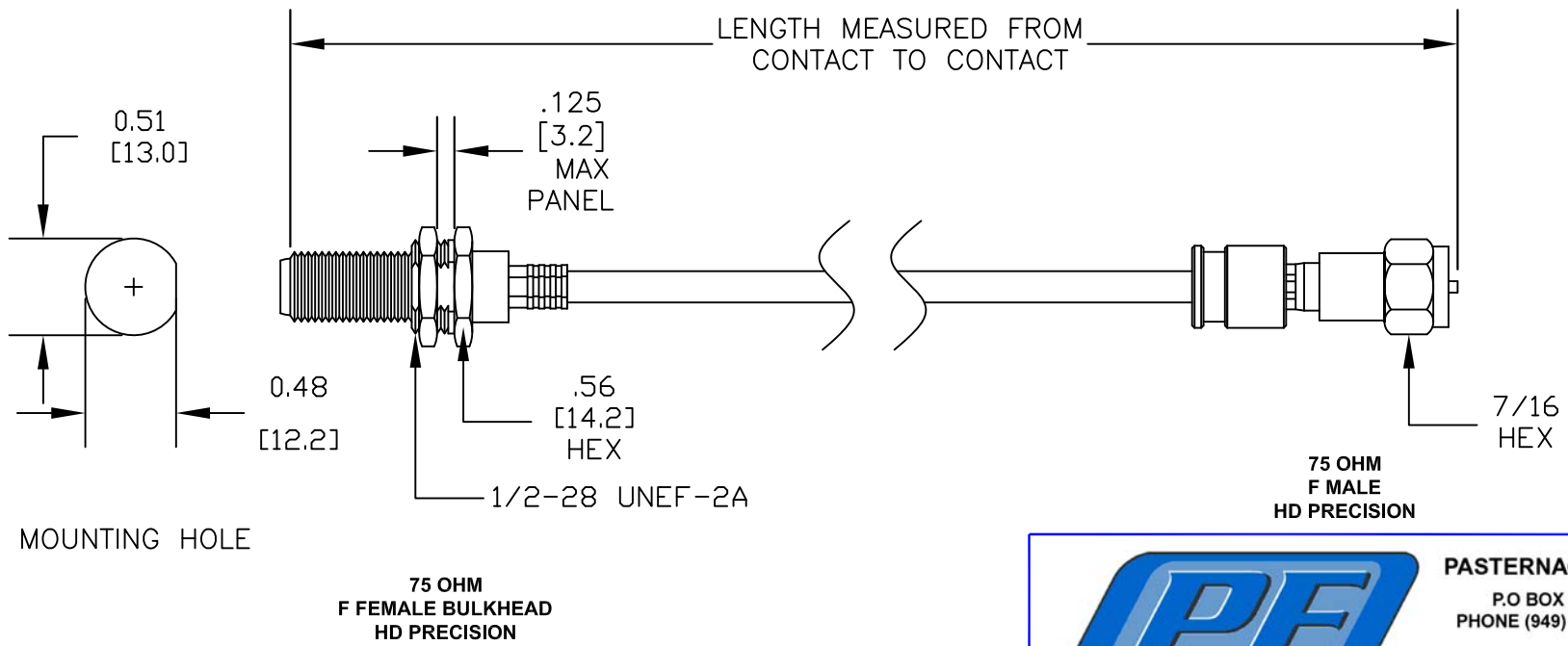


COMPONENTS	IMPEDANCE
F FEMALE BULKHEAD	75 OHM
F MALE	75 OHM
PE-B159	75 OHM

Part Configurator	
1. Replace ZZ with color codes.	
2. Replace XX with length in inches.	
Standard Lengths	
-12	12"
-24	24"
-36	36"
-48	48"
-60	60"
-XXX	Custom Length in inches

Color Codes	
BK	Black
BL	Blue
GR	Green
RD	Red
WH	White
YW	Yellow



**PASTERNAK ENTERPRISES, INC.**

P.O BOX 16759, IRVINE, CA 92623  
PHONE (949) 261-1920 FAX (949) 261-7451

WEB ADDRESS: [www.pasternack.com](http://www.pasternack.com)  
E-MAIL ADDRESS: [sales@pasternack.com](mailto:sales@pasternack.com)

**COAXIAL & FIBER OPTICS**

DWG TITLE	DES.
<b>PE38138/ZZ-XX</b>	CABLE ASSEMBLY, PE-B159, 75 OHM HD PRECISION, F FEMALE BULKHEAD TO F MALE

REV. D	FSCM NO. 53919	CAD FILE 082411	SCALE N/A	SIZE A	2231
--------	----------------	-----------------	-----------	--------	------

**NOTES:**

- UNLESS OTHERWISE SPECIFIED ALL DIMENSIONS ARE NOMINAL.
- ALL SPECIFICATIONS ARE SUBJECT TO CHANGE WITHOUT NOTICE AT ANY TIME.
- DIMENSIONS ARE IN INCHES [mm].
- LENGTH TOLERANCE IS ± 1.5% OR 3/8", WHICHEVER IS GREATER.